

**Model AT-C1a/C1b  
(B230/B237)**

**PARTS CATALOG**

**First edition, April 2006**

**Ricoh Company, LTD.**

**Model AT-C1a/C1b (B230/B237)**

**PARTS CATALOG**

This catalog gives the numbers and names of parts on this machine.

Model AT-C1a/C1b	(B230/B237)
ARDF DF3000	(B789)
Paper Feed Unit PB3000	(B800)
LCIT PB3010	(B801)
1Bin Tray BN3000	(B790)
Bridge Unit BU3000	(B227)

**Model AT-C1a/C1b (B230/B237)**

**PARTS CATALOG**

This catalog gives the numbers and names of parts on this machine.

Internal Shift Tray SH3000	(B791)
Finisher SR3010	(B792)
Booklet Finisher SR3000	(B793)
Punch Kit PU3000	(B807)
SR790	(B408)
Fax Option Type C3000	(B786/B787)
G3 Interface unit Type C3000	

**Model AT-C1a/C1b  
(B230/B237)**

## Model AT-C1a/C1b (B230/B237)

### PARTS CATALOG

This catalog gives the numbers and names of parts on this machine.

<b>Location of Unit</b> .....	<b>2</b>	18.Toner Hopper 2 (B230/B237) .....	44
1.Exterior 1 (B230/B237).....	10	19.PCU/Transfer Unit (B230/B237) .....	46
2.Exterior 2 (B230/B237).....	12	20.Fusing Unit 1 (B230/B237) .....	48
3.Exterior 3 (B230/B237).....	14	21.Fusing Unit 2 (B230/B237) .....	50
4.Operation Panel (B230/B237) .....	16	22.Fusing Unit 3 (B230/B237) .....	52
5.Scanner Section 1 (B230/B237).....	18	23.Paper Exit (B230/B237).....	54
6.Scanner Section 2 (B230/B237).....	20	24.Duplex Unit 1 (B230/B237).....	56
7.Scanner Section 3 (B230/B237).....	22	25.Duplex Unit 2 (B230/B237).....	58
8.Laser Unit (B230/B237).....	24	26.Electrical Section 1 (B230/B237).....	60
9.1st Paper Tray (B230/B237) .....	26	27.Electrical Section 2 (B230/B237).....	62
10.2nd Paper Tray (B230/B237) .....	28	28.Electrical Section 3 (B230/B237).....	64
11.Paper Feed Section (B230/B237) .....	30	29.Drive Section 1 (B230/B237).....	66
12.Paper Registration 1 (B230/B237) .....	32	30.Drive Section 2 (B230/B237).....	68
13.Paper Registration 2 (B230/B237) .....	34	31.Drive Section 3 (B230/B237).....	70
14.By-pass Feed Section 1 (B230/B237).....	36	32.Drive Section 4 (B230/B237).....	72
15.By-pass Feed Section 2 (B230/B237).....	38	33.Frame Section 1 (B230/B237).....	74
16.Paper Transfer Section (B230/B237).....	40	34.Frame Section 2 (B230/B237).....	76
17.Toner Hopper 1 (B230/B237).....	42	35.Frame Section 3 (B230/B237).....	78

April ,20 ' 2006

## Model AT-C1a/C1b (B230/B237)

### PARTS CATALOG

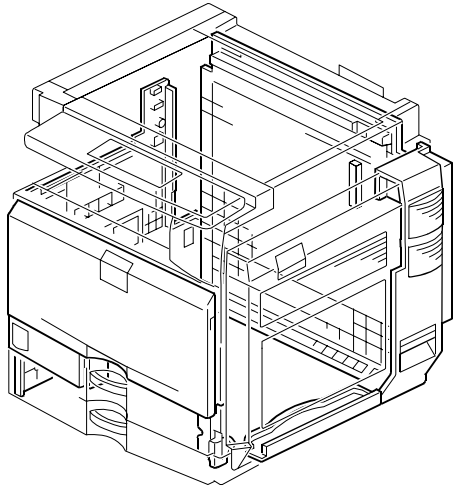
This catalog gives the numbers and names of parts on this machine.

36.Frame Section 4 (B230/B237).....	80
37.Controller (B230/B237).....	82
38.Main Board (B230/B237).....	84
39.BICU Board (B230/B237).....	100
40.IOB Board (B230/B237).....	112
41.Decals And Documents (B230/B237).....	122
42.Special Tools And Accsesoris (B230/B237).....	128
<b>Parts Index</b> .....	<b>131</b>

April ,20 ' 2006

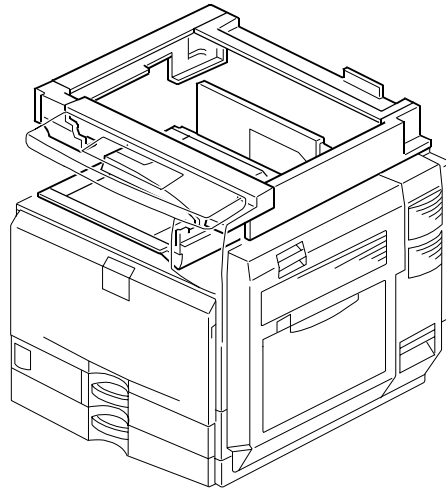
## LOCATIONS OF UNITS

1. Exterior 1 (B230/B237)



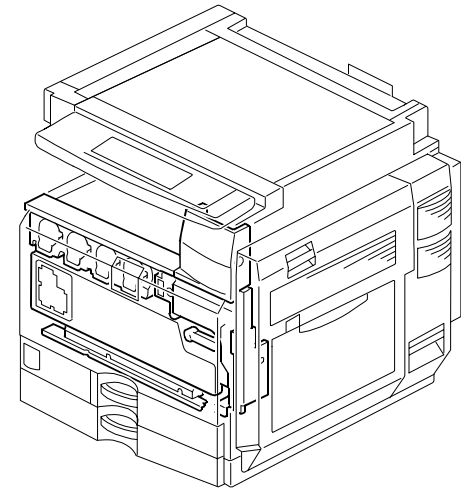
See Page 11

2. Exterior 2 (B230/B237)



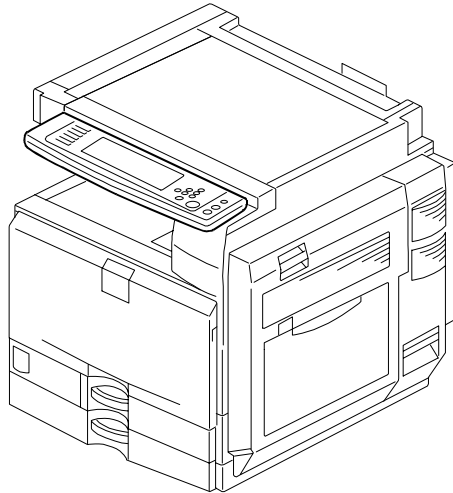
See Page 13

3. Exterior 3 (B230/B237)



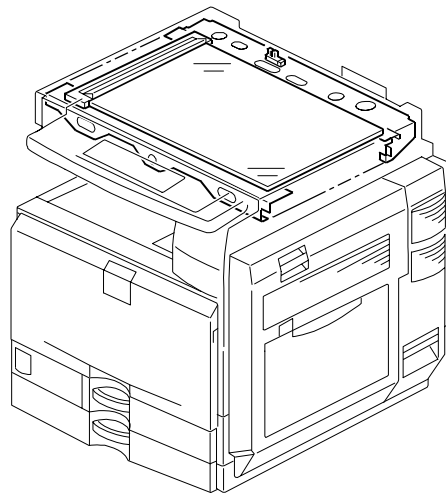
See Page 15

4. Operation Panel (B230/B237)



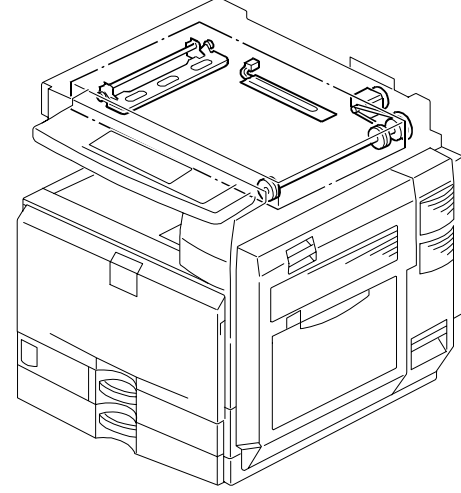
See Page 17

5. Scanner Section 1 (B230/B237)



See Page 19

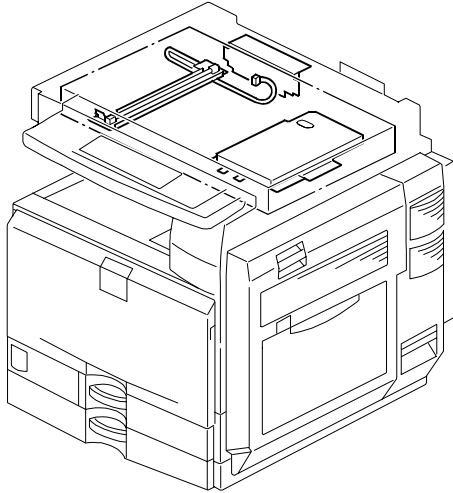
6. Scanner Section 2 (B230/B237)



See Page 21

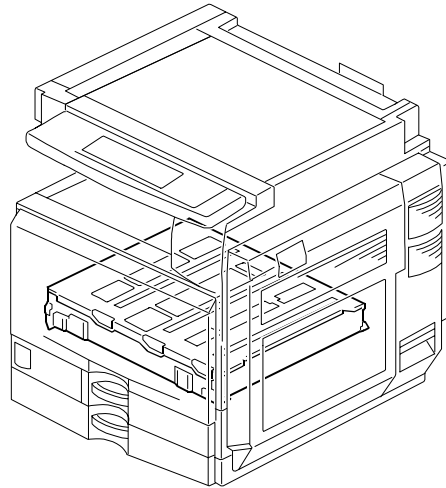
## LOCATIONS OF UNITS

7. Scanner Section 3 (B230/B237)



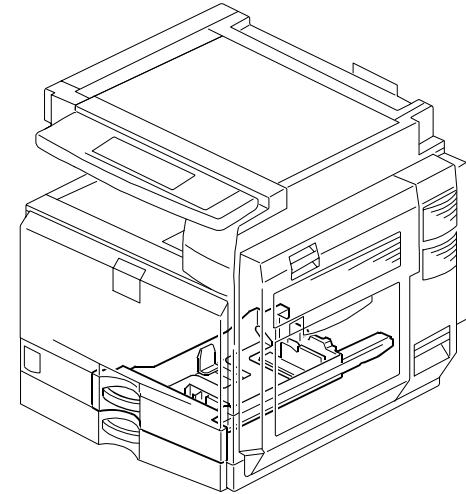
See Page 23

8. Laser Unit (B230/B237)



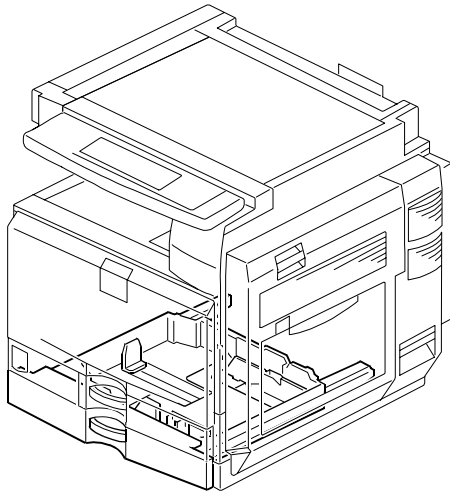
See Page 25

9. 1st Paper Tray (B230/B237)



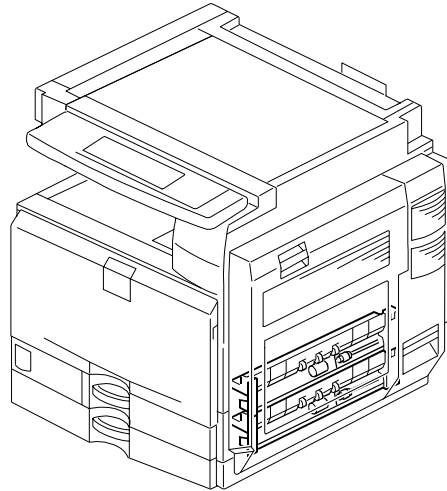
See Page 27

10. 2nd Paper Tray (B230/B237)



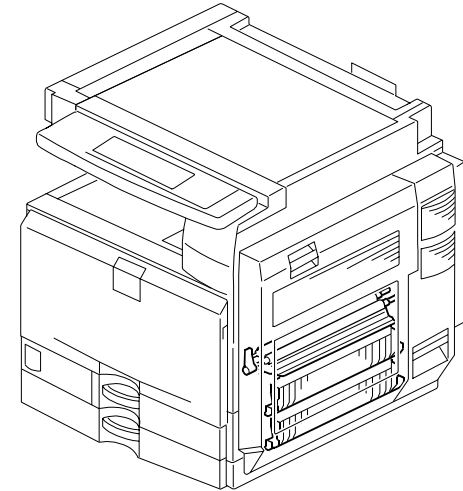
See Page 29

11. Paper Feed Section (B230/B237)



See Page 31

12. Paper Registration 1 (B230/B237)

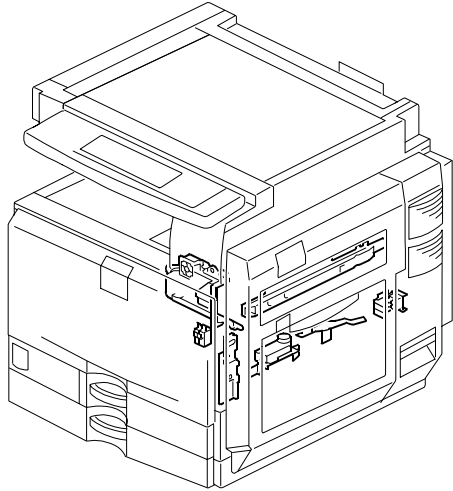


See Page 33



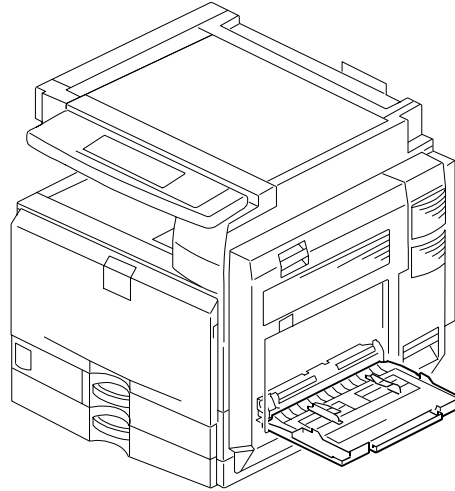
## LOCATIONS OF UNITS

13. Paper Registration 2 (B230/B237)



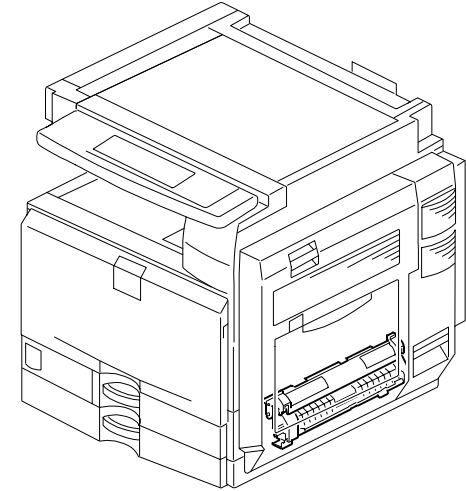
See Page 35

14. By-pass Feed Section 1 (B230/B237)



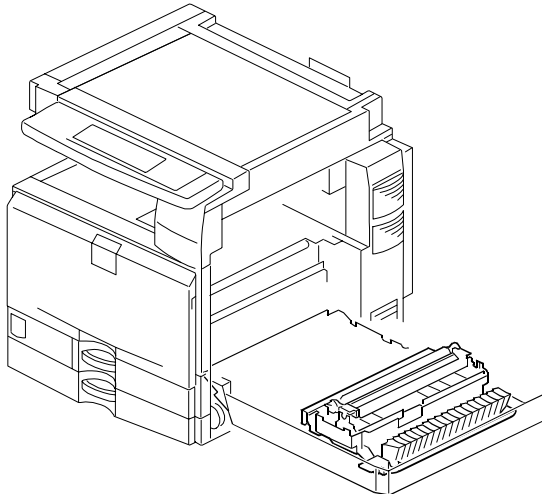
See Page 37

15. By-pass Feed Section 2 (B230/B237)



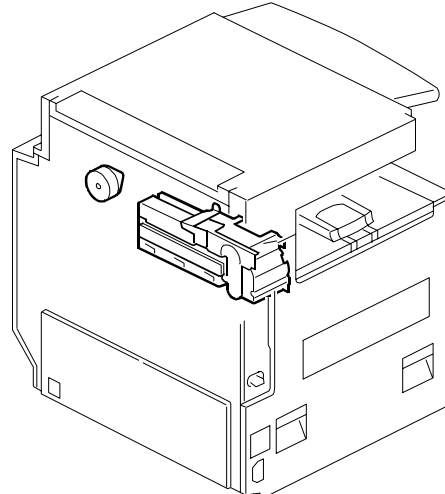
See Page 39

16. Paper Transfer Section (B230/B237)



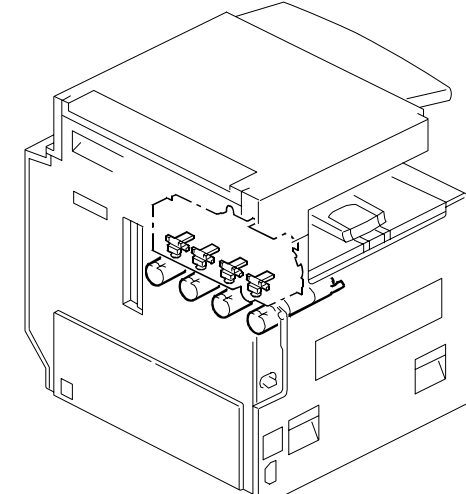
See Page 41

17. Toner Hopper 1 (B230/B237)



See Page 43

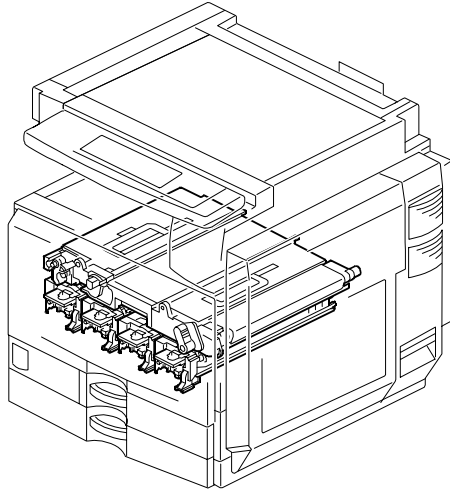
18. Toner Hopper 2 (B230/B237)



See Page 45

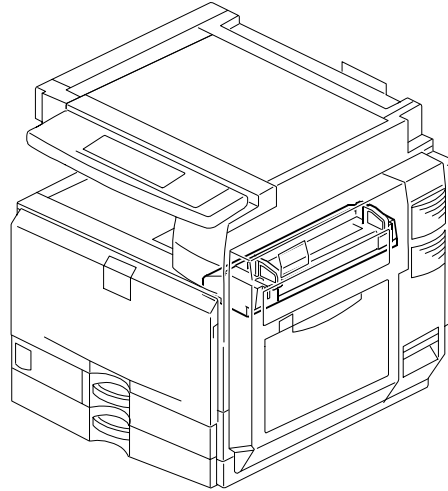
## LOCATIONS OF UNITS

19. PCU/Transfer Unit (B230/B237)



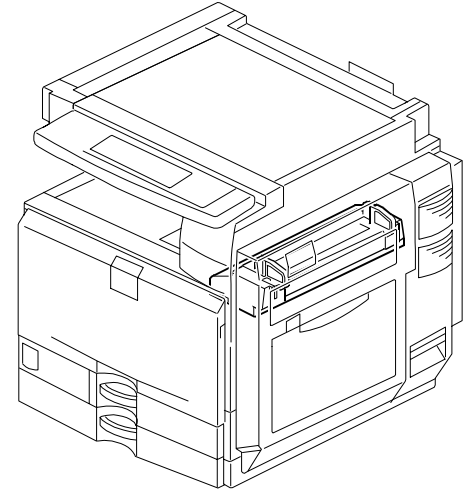
See Page 47

20. Fusing Unit 1 (B230/B237)



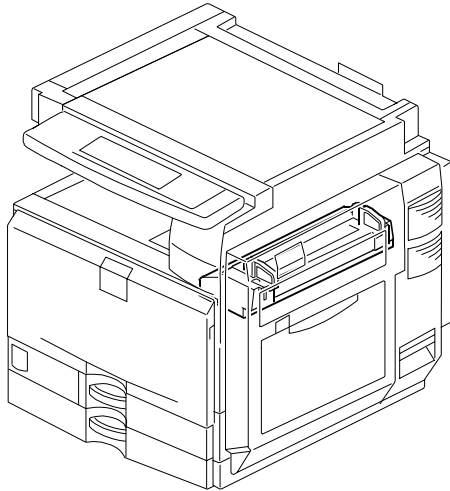
See Page 49

21. Fusing Unit 2 (B230/B237)



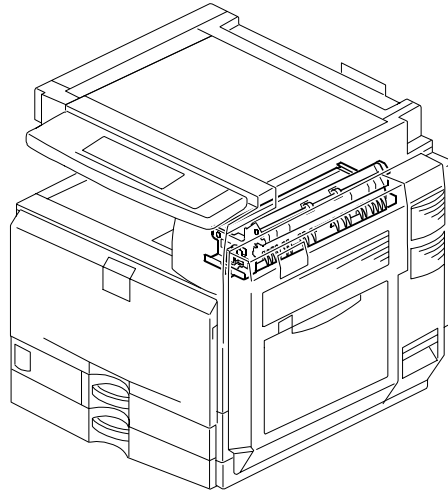
See Page 51

22. Fusing Unit 3 (B230/B237)



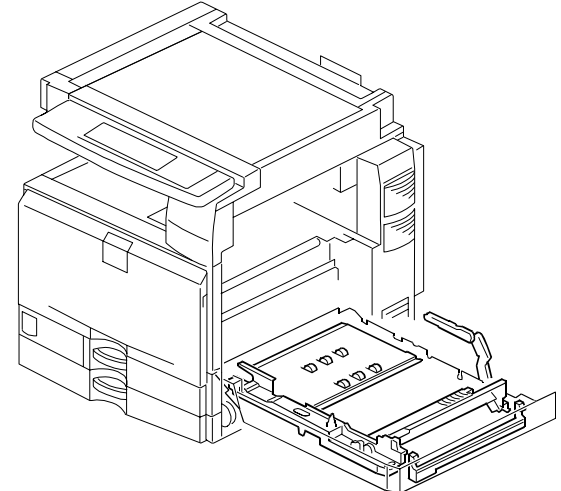
See Page 53

23. Paper Exit (B230/B237)



See Page 55

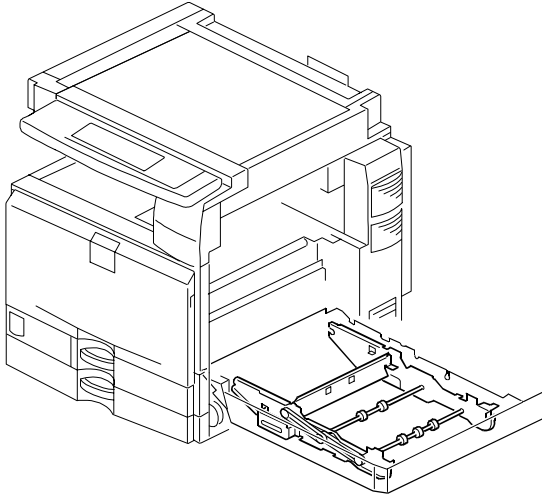
24. Duplex Unit 1 (B230/B237)



See Page 57

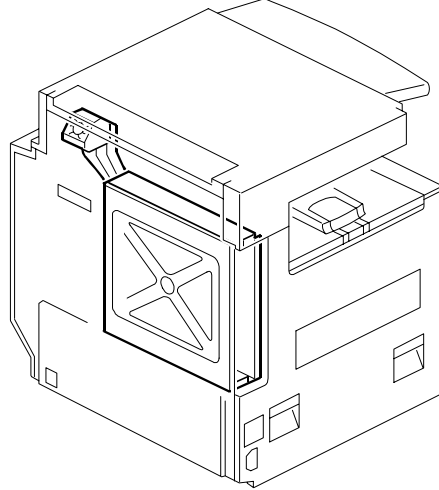
## LOCATIONS OF UNITS

25. Duplex Unit 2 (B230/B237)



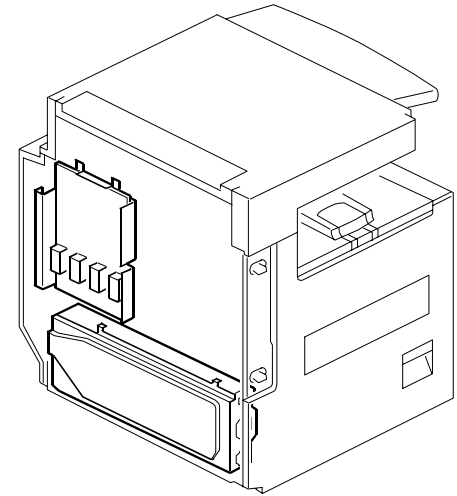
See Page 59

26. Electrical Section 1 (B230/B237)



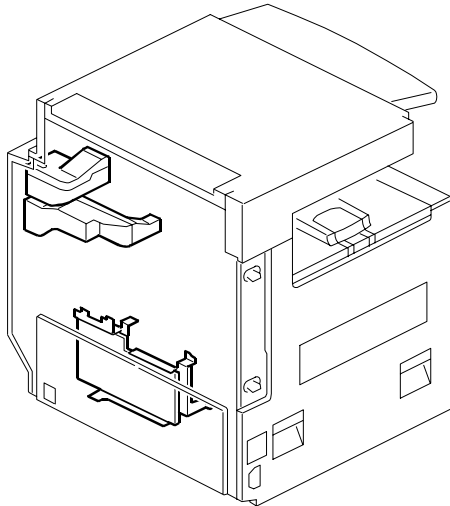
See Page 61

27. Electrical Section 2 (B230/B237)



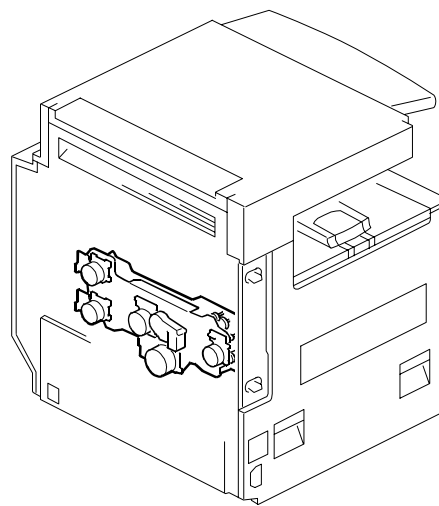
See Page 63

28. Electrical Section 3 (B230/B237)



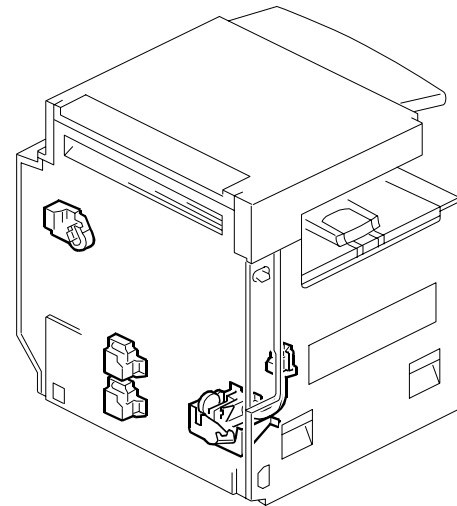
See Page 65

29. Drive Section 1 (B230/B237)



See Page 67

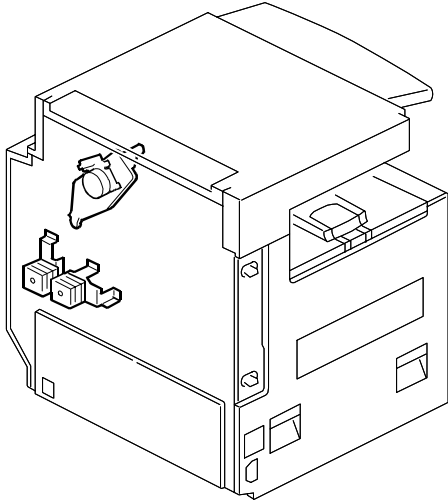
30. Drive Section 2 (B230/B237)



See Page 69

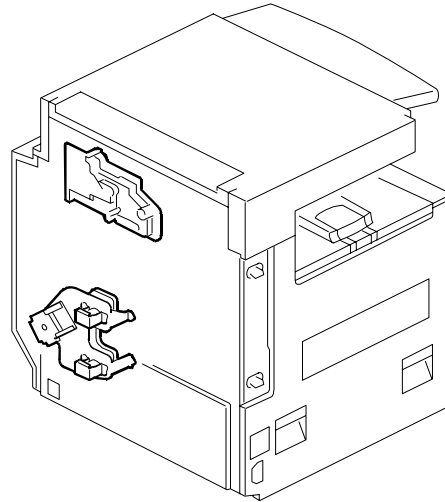
## LOCATIONS OF UNITS

31. Drive Section 3 (B230/B237)



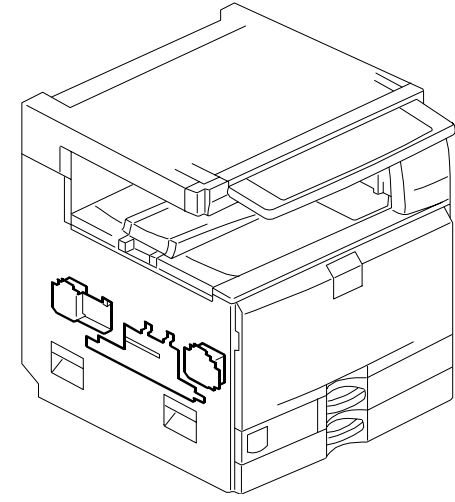
See Page 71

32. Drive Section 4 (B230/B237)



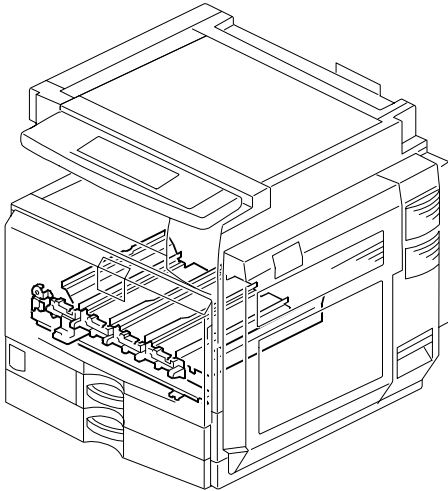
See Page 73

33. Frame Section 1 (B230/B237)



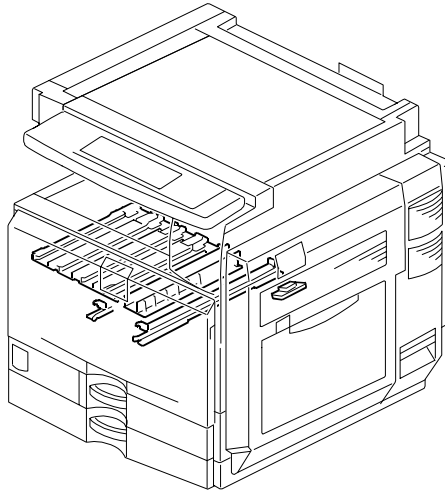
See Page 75

34. Frame Section 2 (B230/B237)



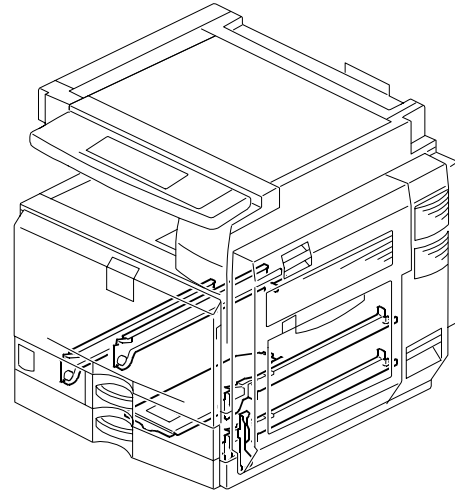
See Page 77

35. Frame Section 3 (B230/B237)



See Page 79

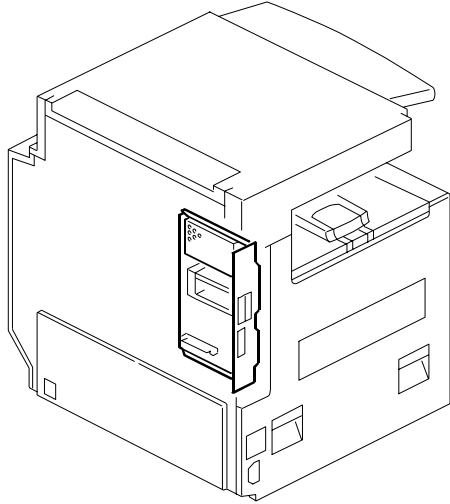
36. Frame Section 4 (B230/B237)



See Page 81

## LOCATIONS OF UNITS

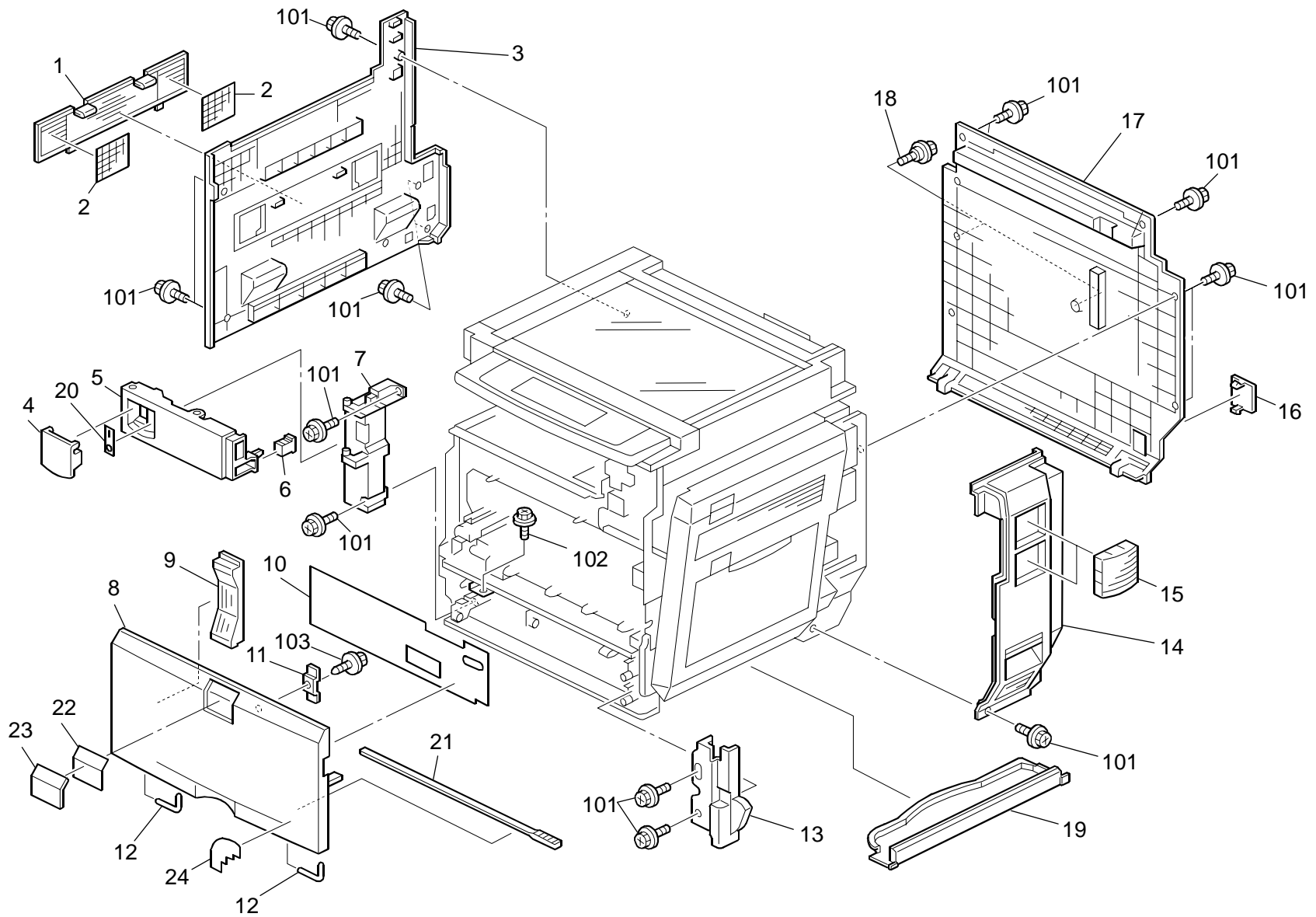
37. Controller (B230/B237)



See Page 83



# 1.Exterior 1 (B230/B237)



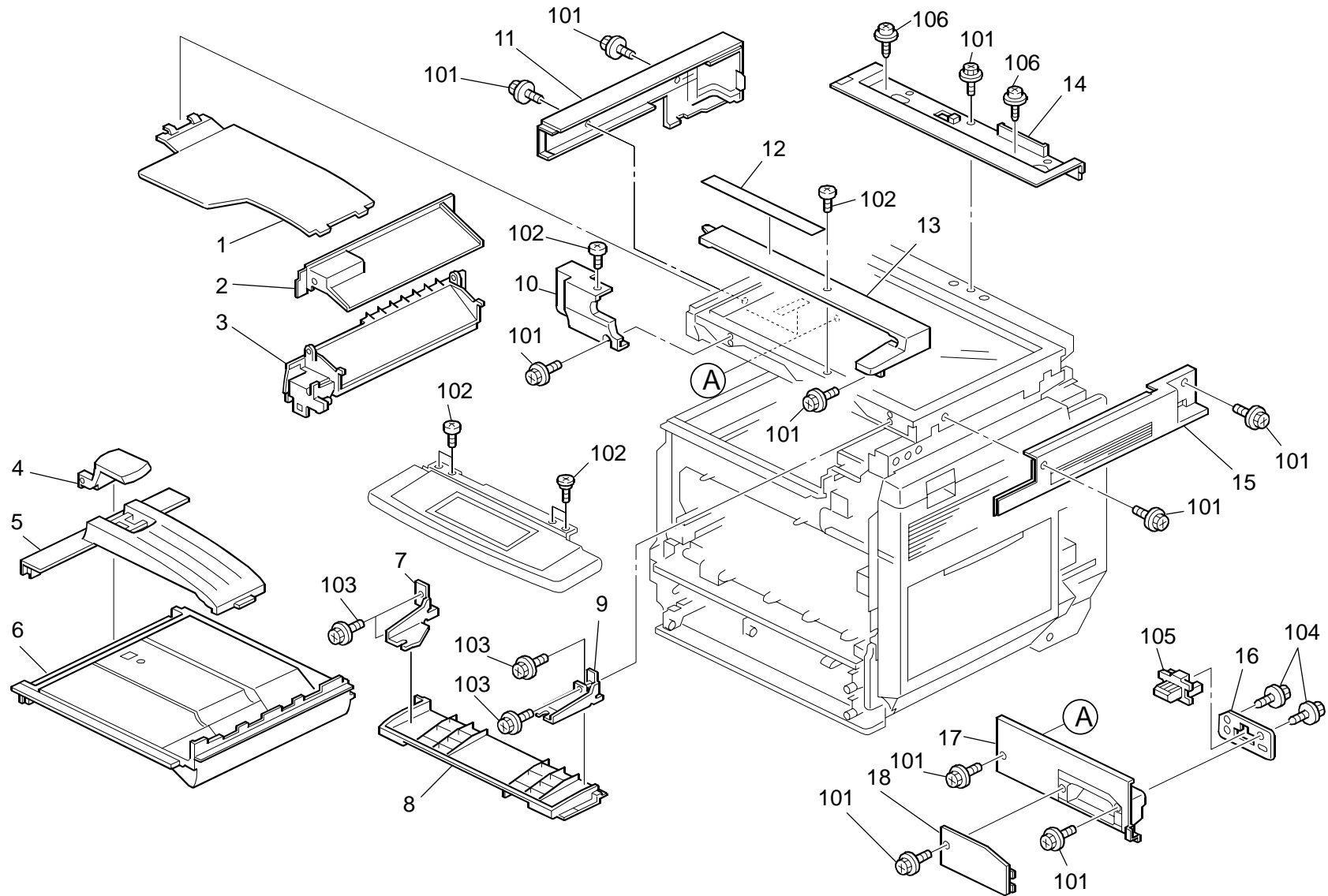
## 1.Exterior 1 (B230/B237)

Index No.	Part No.	Description	Q'ty Per Assembly
1	B238 1382	Cap - Left	1
2	B223 1348	Filter:Image Forming MD	2
3	B238 1384	Cover - Left DOM	1
3	B237 1384	Cover - Left EU	1
4	B223 1255	Cover - Main Switch	1
5	B223 1254	Collection Bottlecover - Front	1
6	AA02 1030	Magnet Catch	1
7	B223 1242	Inner Cover - Left	1
8	B223 1251	Cover - Front	1
9	B238 1390	Guide Plate	1
10	B238 1365	Sheet - Misfeed Removalt	1
11	B024 1264	Magnet Catch	1
12	G020 1332	Hinge - Front Cover	2
13	B238 1375	Cover - Right Front Lower DOM	1
13	B237 1375	Cover - Right Front Lower EU	1
14	B238 1371	Cover - Right Rear	1
14	B237 1371	Cover - Right Rear EU	1
15	B238 1373	Cap - Louver Mm80	2
16	B238 1396	Cap - Rear	1
17	B238 1393	Cover - Rear DOM	1
17	B237 1393	Cover - Rear EU	1
18	AA14 3578	Screw:M3	1
19	B238 1380	Cover - Right	1
19	B237 1380	Cover - Right Base EU	1
20	B237 1355	Decal - Main Switch EU OP	1
21	B223 1279	Cleaner:Shield Glass:Ass'y	1
22	B230 6932	Sheet:Emblem:AT-C1A:RIC	1
22	B230 6933	Sheet:Emblem:AT-C1A:SVN	1
22	B230 6934	Sheet:Emblem:AT-C1A:GES	1
22	B230 6935	Sheet:Emblem:AT-C1A:LAN	1
22	B230 6937	Sheet:Emblem:AT-C1A:LAN	1
22	B230 6939	Sheet:Emblem:AT-C1A:NSA	1
22	B230 6940	Sheet:Emblem:AT-C1A:REX	1
22	B230 6941	Sheet:Emblem:AT-C1A:GES	1
22	B237 6931	Sheet:Emblem:AT-C1B:RIC	1

Index No.	Part No.	Description	Q'ty Per Assembly
22	B237 6932	Sheet:Emblem:AT-C1B:SVN	1
22	B237 6933	Sheet:Emblem:AT-C1B:GES	1
22	B237 6934	Sheet:Emblem:AT-C1B:LAN	1
22	B237 6936	Sheet:Emblem:AT-C1B:LAN	1
22	B237 6938	Sheet:Emblem:AT-C1B:NSA	1
22	B237 6939	Sheet:Emblem:At-C1B:REX	1
22	B237 6940	Sheet:Emblem:AT-C1B:GES	1
23	B223 1253	Emblem Cover	1
24	AA00 0239	Decal:Color:MFP	1
101	0451 3008N	Tapping Screw - M3x8	
102	0450 3012N	Tapping Screw:3x12	
103	0450 3010N	Tapping Screw - M3x10	



## 2.Exterior 2 (B230/B237)

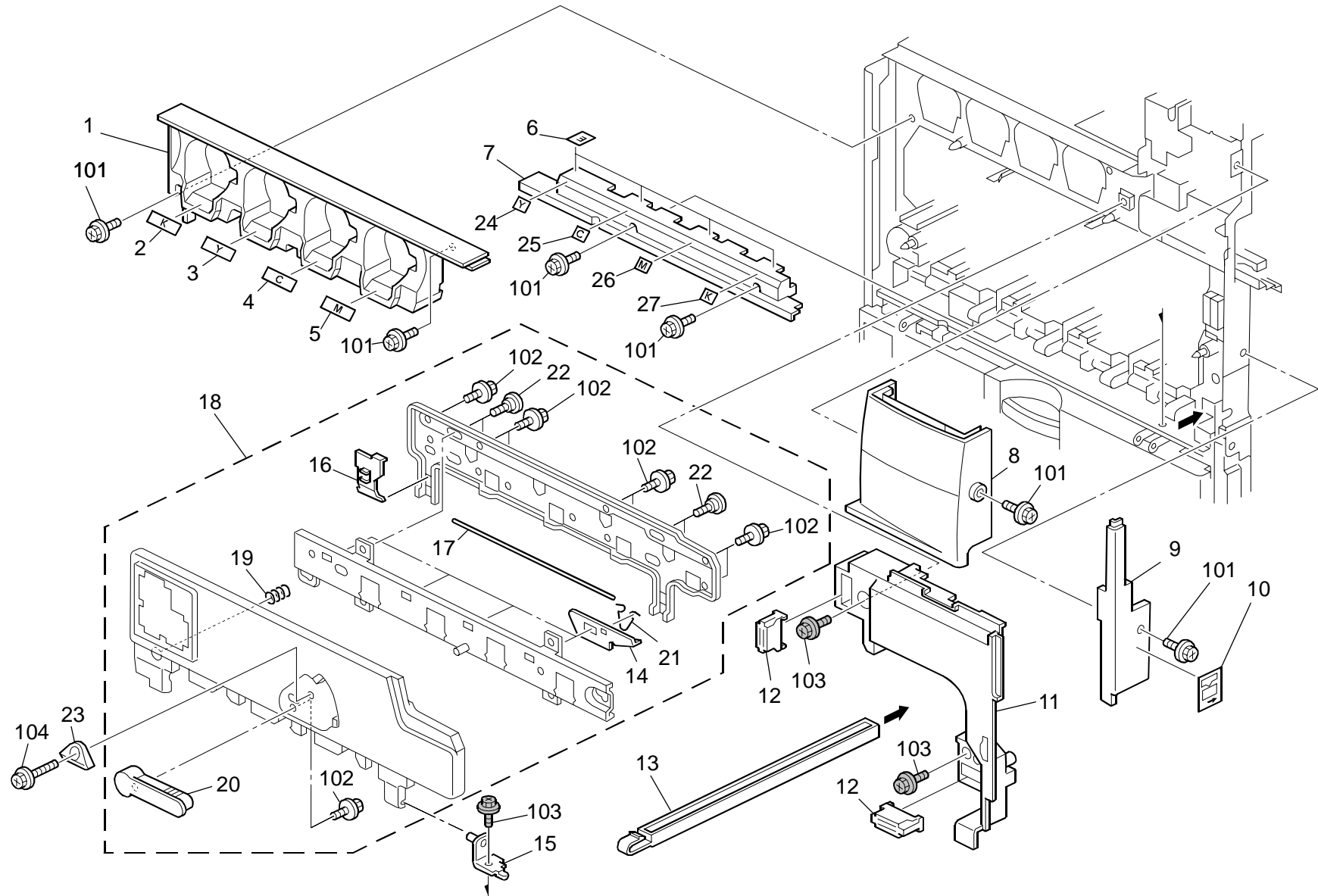


## 2.Exterior 2 (B230/B237)

Index No.	Part No.	Description	Q'ty Per Assembly
1	B238 4930	Reverse Tray	1
2	B238 1269	Cover - Reverse Unit Upper	1
3	B238 1268	Cover - Paper Exit Unit Upper	1
4	B223 4487	Exit End Fence	1
5	B223 4486	Exit Tray	1
6	B238 1360	Cover - Upper	1
6	B237 1360	Cover - Upper EU	1
7	B238 1585	Panel Bracket - Lower Left	1
8	B238 1594	Scanner Cover - Front Lower	1
8	B237 1594	Scanner Cover - Front Lower EU	1
9	B238 1586	Panel Bracket - Lower Right	1
10	B238 1589	Scanner Cover - Front Left	1
11	B238 1352	Scanner Cover - Left DOM	1
11	B237 1352	Scanner Cover - Left EU	1
12	B237 1595	Decal - Caution Original	1
13	B238 1597	Scanner Cover - Front Upper	1
14	B238 1367	Scanner Cover - Rear DOM	1
14	B237 1367	Scanner Cover - Rear EU	1
15	B238 1354	Scanner Cover - Right DOM	1
15	B237 1354	Scanner Cover - Right EU	1
16	B238 5891	Drawer Bracket	1
17	B238 1363	Cover - Inner Back DOM	1
17	B237 1363	Cover - Inner Back EU	1
18	B223 1263	Cover - Inner Back Middle	1

Index No.	Part No.	Description	Q'ty Per Assembly
101	0451 3008N	Tapping Screw - M3x8	
102	0353 0050N	Screw-m3x5	
103	0451 3006N	Tapping Screw - 3x6	
104	0450 3008N	Tapping Screw - M3x8	
105	1102 9782	Connector:51405-1819	
106	0951 4010N	Screw:Polished Round:M4x10	

### 3.Exterior 3 (B230/B237)

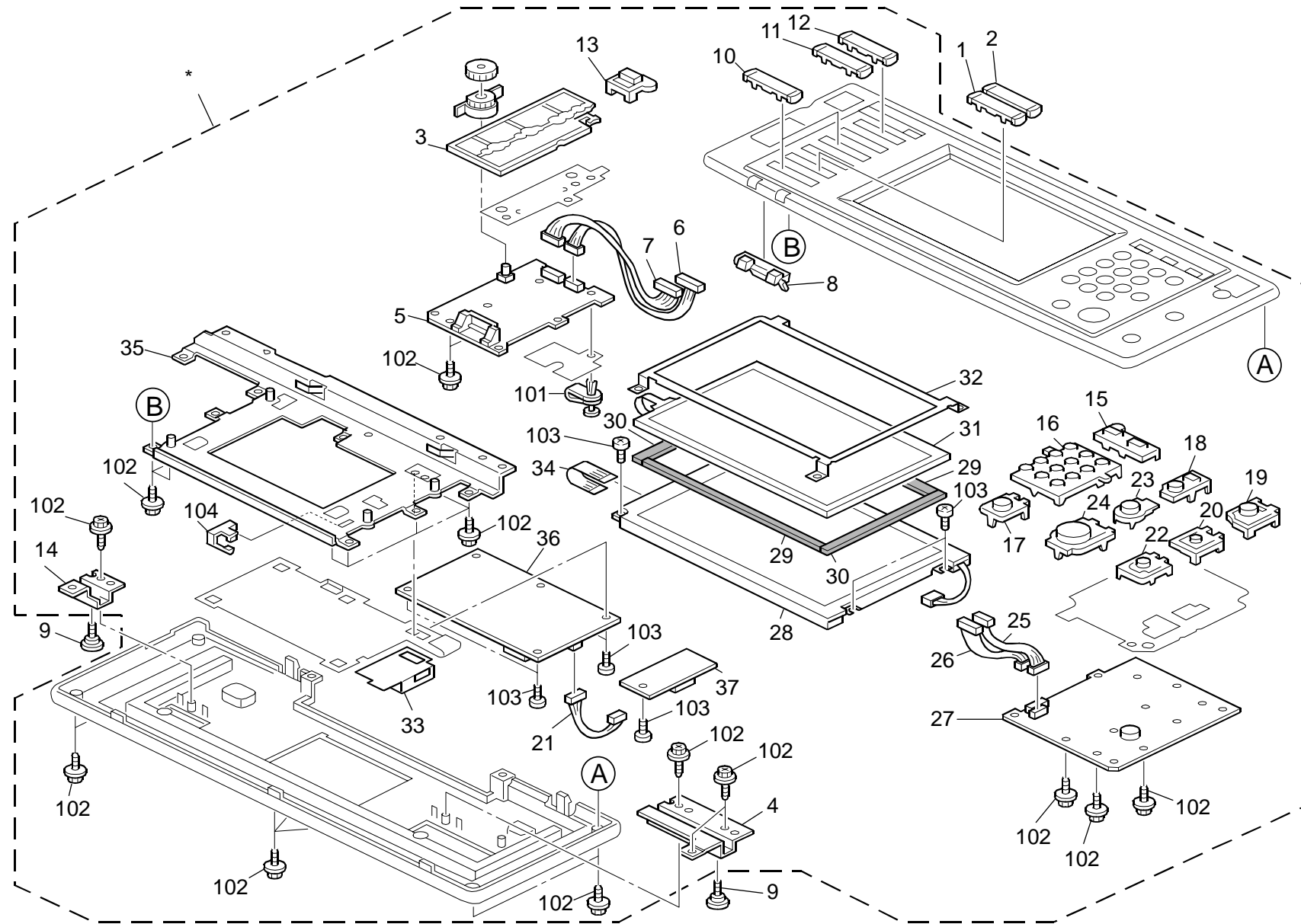


### 3.Exterior 3 (B230/B237)

Index No.	Part No.	Description	Q'ty Per Assembly
1	B238 1398	Inner Cover - Upper Left DOM	1
1	B237 1398	Inner Cover - Upper Left EU	1
2	B238 3364	Decal:Colored Display:BK:Inner Cover	1
3	B238 3365	Decal:Colored Display:Y:Inner Cover	1
4	B238 3366	Decal:Colored Display:C:Inner Cover	1
5	B238 3367	Decal:Colored Display:M:Inner Cover	1
6	B238 1368	Decal - Cleaning	4
7	B223 1244	Inner Cover - Middle	1
8	B238 1397	Cover - Front Right DOM	1
8	B237 1397	Cover - Front Right EU	1
9	B238 1378	Cover - Right Front Upper DOM	1
9	B237 1378	Cover - Right Front Upper EU	1
10	B238 1362	Decal - Misfeed Removal B1	1
11	B238 1356	Inner Cover - Upper Right	1
12	AG07 1012	Magnet Catch:Ass'y	2
13	B238 2615	Case - Remove Paper Dust	1
14	B223 1315	Ball Bearing Plate	4
15	B223 1123	Hinge - Cover Drum Stay	1
16	B223 1306	Drum Stay	1
17	B223 1319	Wire	1
18	B223 1300	Drum Stay PCU Ass'y	1
19	B223 1318	Spring	1
20	B223 1303	Drum Stay Lever	1
21	B223 1316	Ball Bearing Clip	4
22	B223 1317	Screw	4
23	B223 1304	Stopper:Lever:Drum Stay	1
24	GA00 3030	Decal - Shielding Plate Y	1
25	GA00 3032	Decal - Shielding Plate C	1
26	GA00 3031	Decal - Shielding Plate M	1
27	GA00 3033	Decal - Shielding Plate K	1

Index No.	Part No.	Description	Q'ty Per Assembly
101	0451 3008N	Tapping Screw - M3x8	
102	0450 3010N	Tapping Screw - M3x10	
103	0454 3006Q	Tapping Screw - M3x6	
104	0451 3012N	Tapping Screw:3x12	

# 4.Operation Panel (B230/B237)

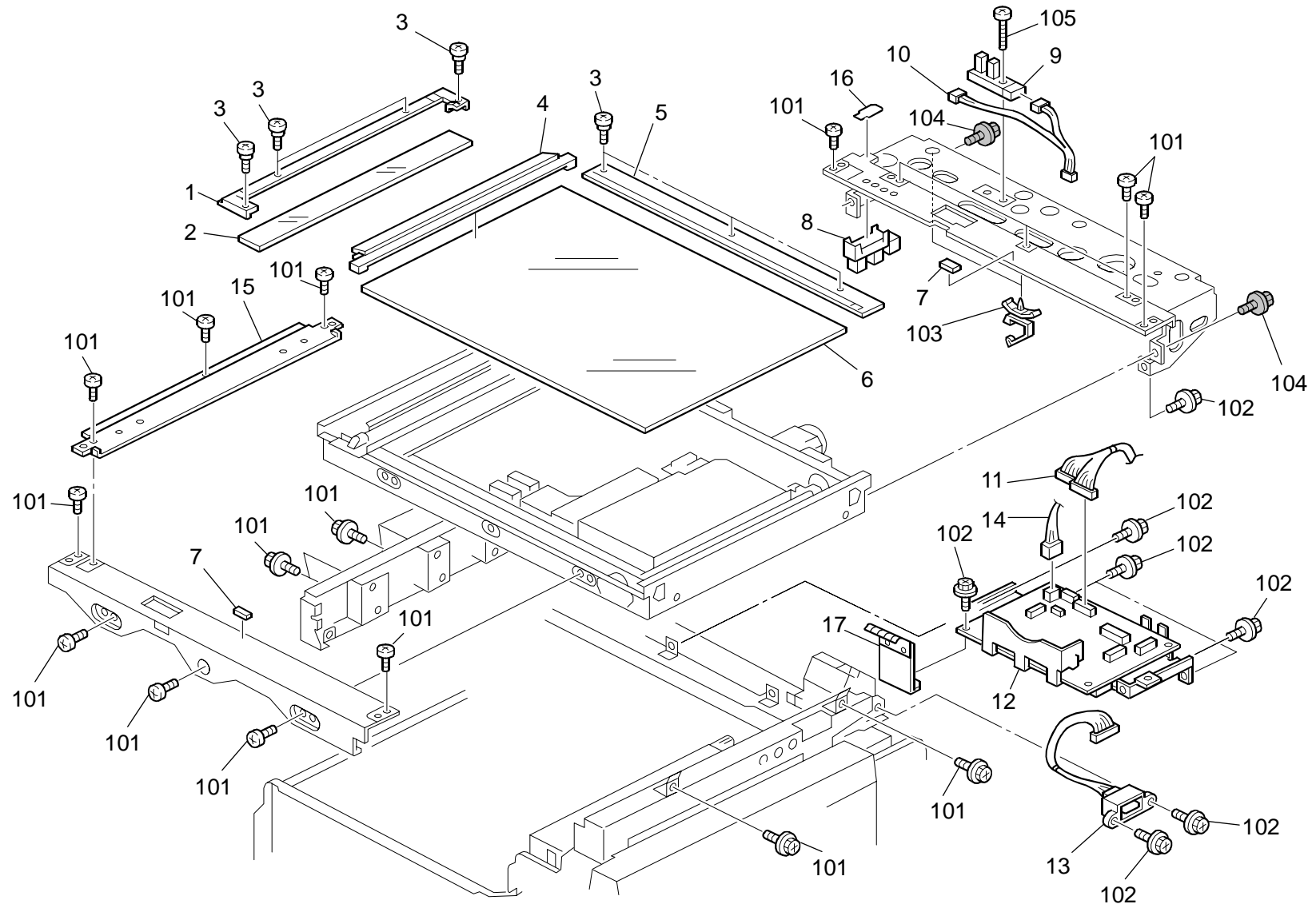


#### 4.Operation Panel (B230/B237)

Index No.	Part No.	Description	Q'ty Per Assembly
*	B237 1411	Operation Panel NA	1
*	B237 1412	Operation Panel EU Ass'y	1
1	B238 1516	Keytop - Scanner	1
1	B238 1581	Keytop - Scanner EU	1
2	B238 1515	Keytop - Printer	1
2	B238 1580	Keytop - Printer EU	1
3	B238 1547	Spacer - Keytop	1
4	B238 1548	Operation Panel Bracket - Right	1
5	B223 1475	PCB OP-L	1
6	B238 1482	Harness - OP-L 12p	1
7	B238 1483	Harness - OP-L 13p	1
8	B238 1519	Lens - Front	1
9	AA14 3861	Screw - DIA5	2
10	B223 1518	Keytop - Blank FB	2
11	B238 1572	Keytop - Doc NA	1
11	B238 1578	Keytop - Doc EU	1
12	B238 1571	Keytop - Copy NA	1
12	B238 1577	Keytop - Copy EU	1
13	B238 1511	Keytop - Counter	1
14	B238 1527	Operation Panel Bracket	1
15	B238 1583	Keytop - Clear Modes	1
16	B238 1584	Keytop - 10key NA	1
16	B238 1508	Keytop - 10key	1
17	B238 1505	Keytop - Clear/Stop	1
18	B238 1509	Keytop - Interrupt	1
19	B238 1549	Keytop - Power Source	1
20	B238 1550	Keytop - Login	1
21	B238 1484	Harness - Invertor	1
22	B238 1552	Keytop - Kantan	1
23	B238 1506	Keytop - Try Print	1
24	B238 1504	Keytop - Start	1
25	B238 1480	Harness - OP-R 10p	1
26	B238 1481	Harness - OP-R 13p	1
27	B238 1470	PCB OP-R	1
28	B223 1485	LCD - TFT W-VGA TM	1

Index No.	Part No.	Description	Q'ty Per Assembly
28	B223 1489	LCD - TFT W-VGA SH	1
29	B238 1535	LCD Spacer B	2
30	B238 1534	LCD Spacer A	2
31	B223 1494	Touch Panel - W-vga F	1
32	B223 1507	Shadeing Plate:Touch Panel:Ass'y	1
32	B238 1557	Shadeing Plate - Touch Panel	1
33	B238 1533	Insulator	1
34	B223 1487	Cable - FFC TFT LCD	1
35	B238 1556	Lcdc Bracket	1
36	B238 1461	PCB LCDC NA	1
36	B238 1462	PCB LCDC EU	1
37	B223 1486	Invertor - TFT	1
101	1105 0032	Clamp	
102	0450 3010N	Tapping Screw - M3x10	
103	0353 0060N	Bind Screw - M3x6	
104	1105 0598	Clamp:Lwss-1n	

## 5.Scanner Section 1 (B230/B237)



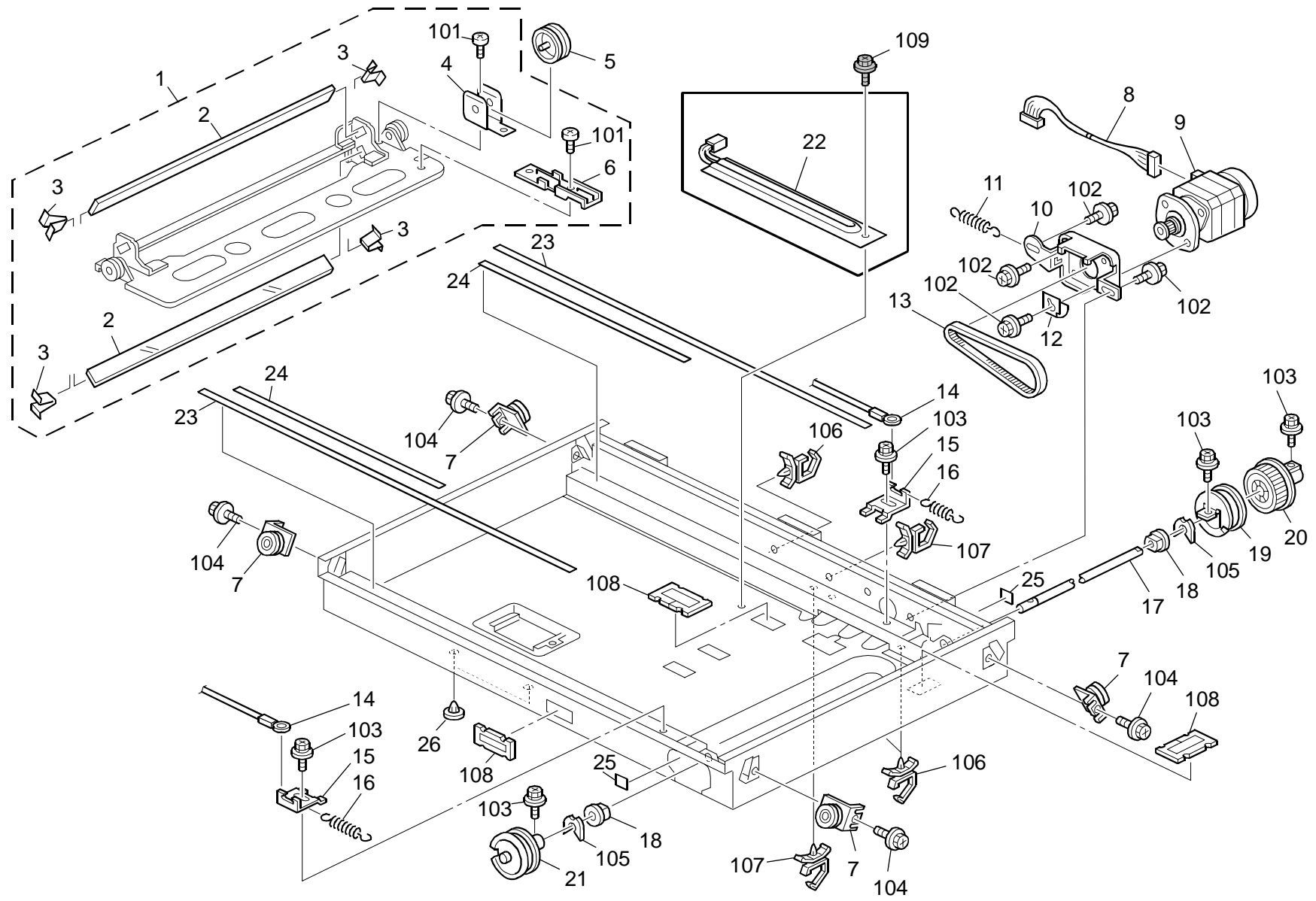
### 5.Scanner Section 1 (B230/B237)

Index No.	Part No.	Description	Q'ty Per Assembly
1	B238 1801	Scale - Left (A)	1
2	B238 1795	Exposure Glass	1
3	B390 1759	Shaft:Scale	7
4	B238 1713	Scale - Left (B)	1
5	B229 1751	Scale - Inner Back	1
6	A250 1752	Exposure Glass	1
7	5442 1924	Exposure Glass Cushion	2
8	AW02 0145	Photointerruptor:Flat	1
9	AW02 0146	Photointerruptor:Flat:Pich2mm:M4	1
10	B238 5370	Harness - HPS/AKS	1
11	B238 5327	Harness - BICU SIO	1
12	B238 5135	PCB SIO	1
13	B238 5374	Harness - SIO ARDF	1
14	B238 5369	Harness - Lamp	1
15	B238 1803	Document Feeder Bracket	1
16	G570 1225	Sensor Shielding Plate	1
17	B238 5348	Scanner Ground Plate - Rear	1

Index No.	Part No.	Description	Q'ty Per Assembly
101	0453 3006N	Tapping Screw - M3x6	
102	0451 3006N	Tapping Screw - 3x6	
103	1105 0511	Harness Clamp - LWS-0306ZC	
104	0454 3006Q	Tapping Screw - M3x6	
105	0314 0120N	Screw - M4X12	



## 6.Scanner Section 2 (B230/B237)

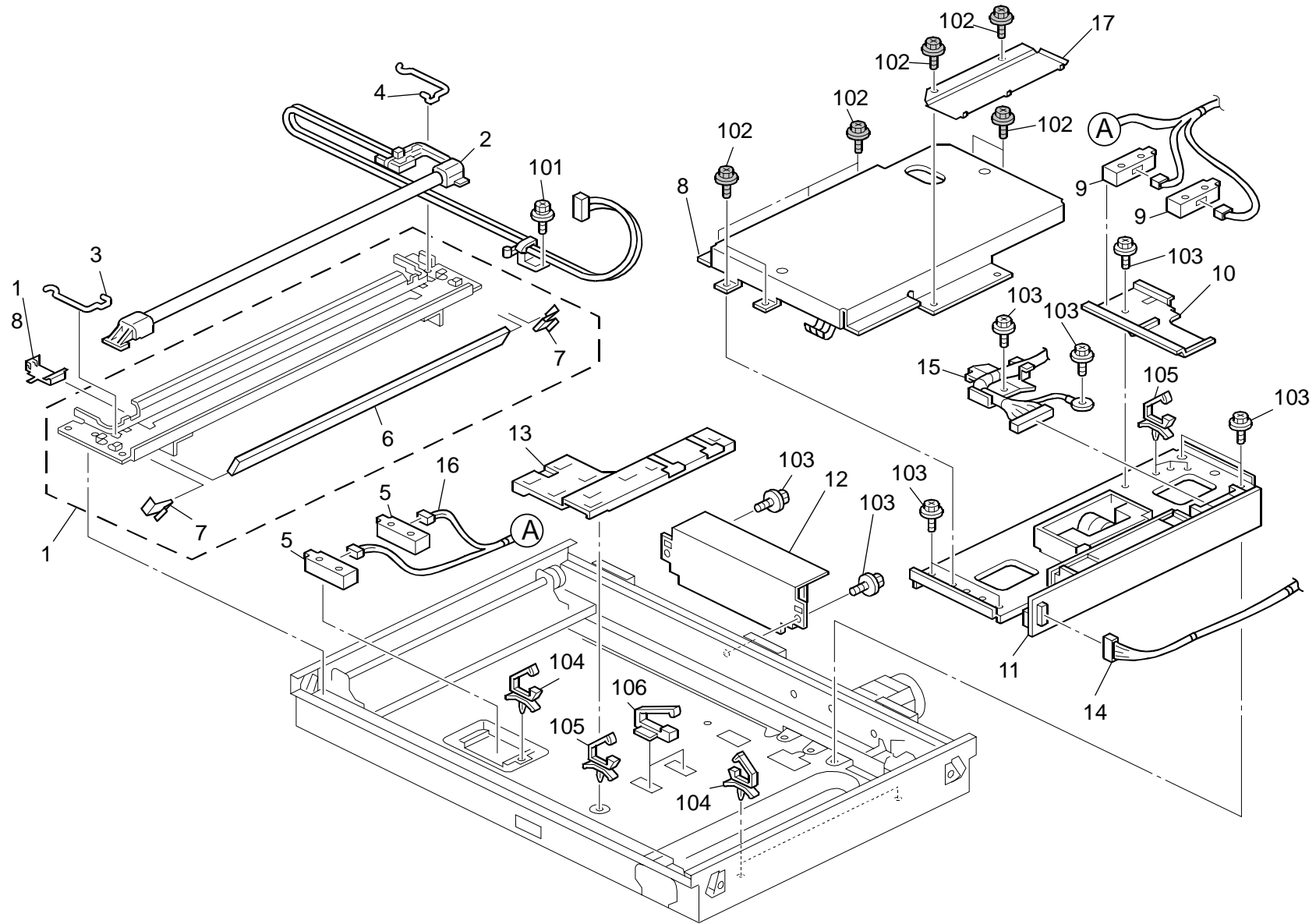


## 6.Scanner Section 2 (B230/B237)

Index No.	Part No.	Description	Q'ty Per Assembly
1	B238 1688	Carriage Unit No.2	1
2	AC03 0162	Mirror No.2	2
3	G404 2810	Spring Plate - 2nd Mirror	4
4	G570 2833	Pulley Holder	1
5	G570 2834	Pulley - High Voltage Supply Cord	1
6	G570 2832	Guide - High Voltage Supply Cord	1
7	B238 1806	Idler Pulley	4
8	B238 5371	Harness - STM	1
9	B238 1715	Stepper Motor DC3.9V	1
10	B238 1788	Stepper Motor Bracket	1
11	AA06 0979	Tension Spring:Tension:14720mn	1
12	B238 1762	Ground Plate - Stepper Motor	1
13	B238 1792	Timing Belt - 157ST1.5-4.0	1
14	B238 1787	Drive Were	2
15	B180 1704	Bracket:Tension	2
16	AA06 0980	Tension Spring:Tension:11300mn	2
17	B238 1786	Scanner Drive Shaft	1
18	AA08 2144	Bushing - 8x12x7	2
19	B180 1812	Pulley:Drive Were:Rear:Sub-ass'y	1
20	G570 1133	Timing Pulley 73	1
21	B180 1810	Pulley:Drive Were:Front:Sub-ass'y	1
22	B229 1688	Heater:Option:230V:9W	1
23	A193 1816	1st Slide Rail	2
24	B180 1734	Slide Rail:No.2	2
25	B238 1793	Bushing Spacer	2
26	B238 1796	Hall Plug	2

Index No.	Part No.	Description	Q'ty Per Assembly
101	0353 0050N	Screw-m3x5	
102	0451 3006N	Tapping Screw - 3x6	
103	0802 5299	Tapping Screw - M3x8	
104	0451 3008N	Tapping Screw - M3x8	
105	0805 0088	Retaining Ring - M6	
106	1105 0516	Clamp	
107	1105 0487	Harness Clamp	
108	1105 0621	Clamp - SB-2712	
109	0454 3006Q	Tapping Screw - M3x6	

## 7.Scanner Section 3 (B230/B237)

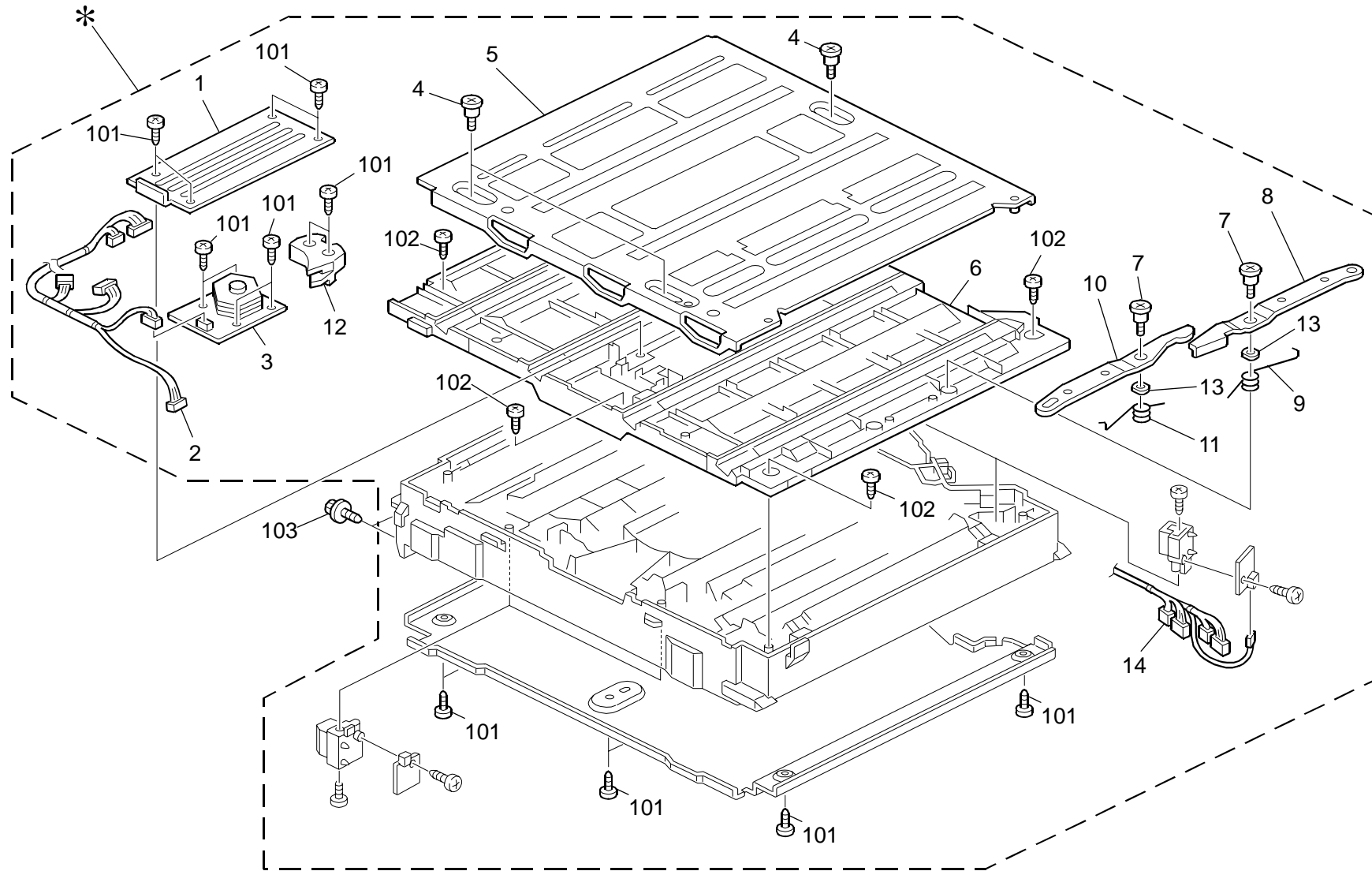


### 7.Scanner Section 3 (B230/B237)

Index No.	Part No.	Description	Q'ty Per Assembly
1	B180 1816	Carriage Unit No.1	1
2	B238 1820	Xenon Lamp - Dia10	1
3	A193 1766	Wire Clamp	1
4	A193 1769	Clamp - Rear Wire	1
5	AW01 0133	Original Sensor - 66mm	2
6	AC03 0142	1st Mirror	1
7	A193 1767	1st Mirror Holder	2
8	B238 1823	Inner Cover - Scanner	1
9	AW01 0134	Original Sensor - 48mm	2
10	B238 1827	Original Sensor Bracket	1
11	B238 1703	Lens:Holder:Ass'y	1
12	B238 1821	Stabilizer	1
13	B238 1753	Inner Cover - Sensor	1
14	B238 5368	Harness - SBU	1
15	B238 5345	Scanner Interface Cable	1
16	B238 5367	Harness - APS	1
17	B238 5344	Sbu Ground Plate	1
18	B238 1812	Ground Plate - Carriage	1

Index No.	Part No.	Description	Q'ty Per Assembly
101	0802 5299	Tapping Screw - M3x8	
102	0454 3006Q	Tapping Screw - M3x6	
103	0451 3006N	Tapping Screw - 3x6	
104	1105 0511	Harness Clamp - LWS-0306ZC	
105	1105 0516	Clamp	
106	1105 0622	Clamp - JCC-1R	

## 8.Laser Unit (B230/B237)

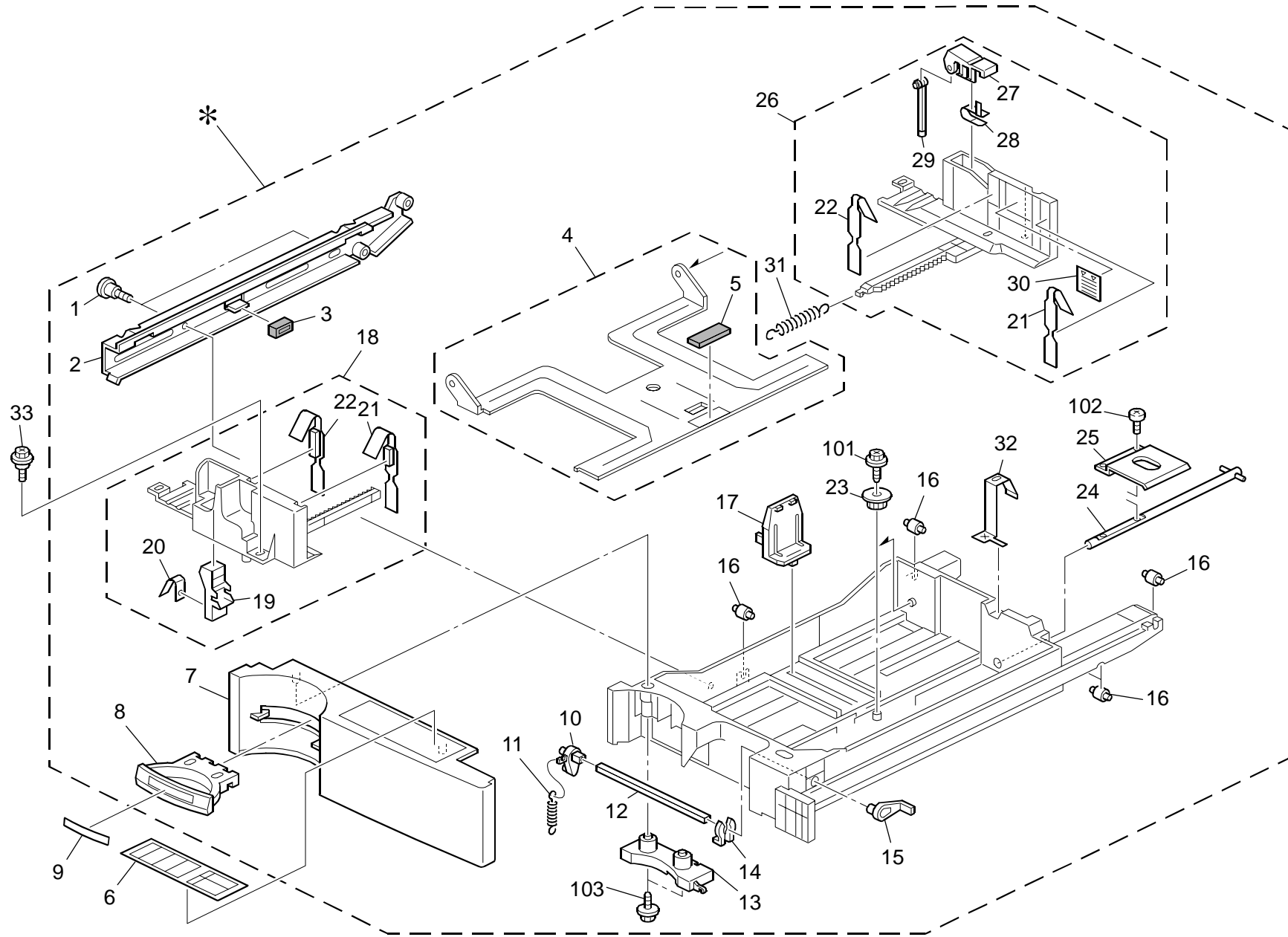


## 8.Laser Unit (B230/B237)

Index No.	Part No.	Description	Q'ty Per Assembly
*	B238 1854	Laser Optics Housing Unit	1
1	B223 1882	Cover - Polygon Motor	1
2	B238 5361	Harness - Polygon Mirror Motor	1
3	AX06 0318	Polygon Mirror Motor DC24V	1
4	B223 1907	Screw	3
5	B223 1885	Shutter Ass'y	1
6	B223 1881	Cover - Upper	1
7	B223 1988	Screw:Link:Shutter	2
8	B223 1908	Link:Shutter:1	1
9	B223 1913	Torsion Spring:Link:1	1
10	B223 1909	Link:Shutter:2	1
11	B223 1914	Torsion Spring:Link:2	1
12	B223 1903	Louver	1
13	B223 1989	Plate Nut:Link	2
14	B238 5363	Harness - Ldb	1

Index No.	Part No.	Description	Q'ty Per Assembly
101	0452 3008N	Tapping Screw - M3x8	
102	0452 3010N	Binding Self-tapping Screw:3x10	
103	0451 3008N	Tapping Screw - M3x8	

# 9.1st Paper Tray (B230/B237)



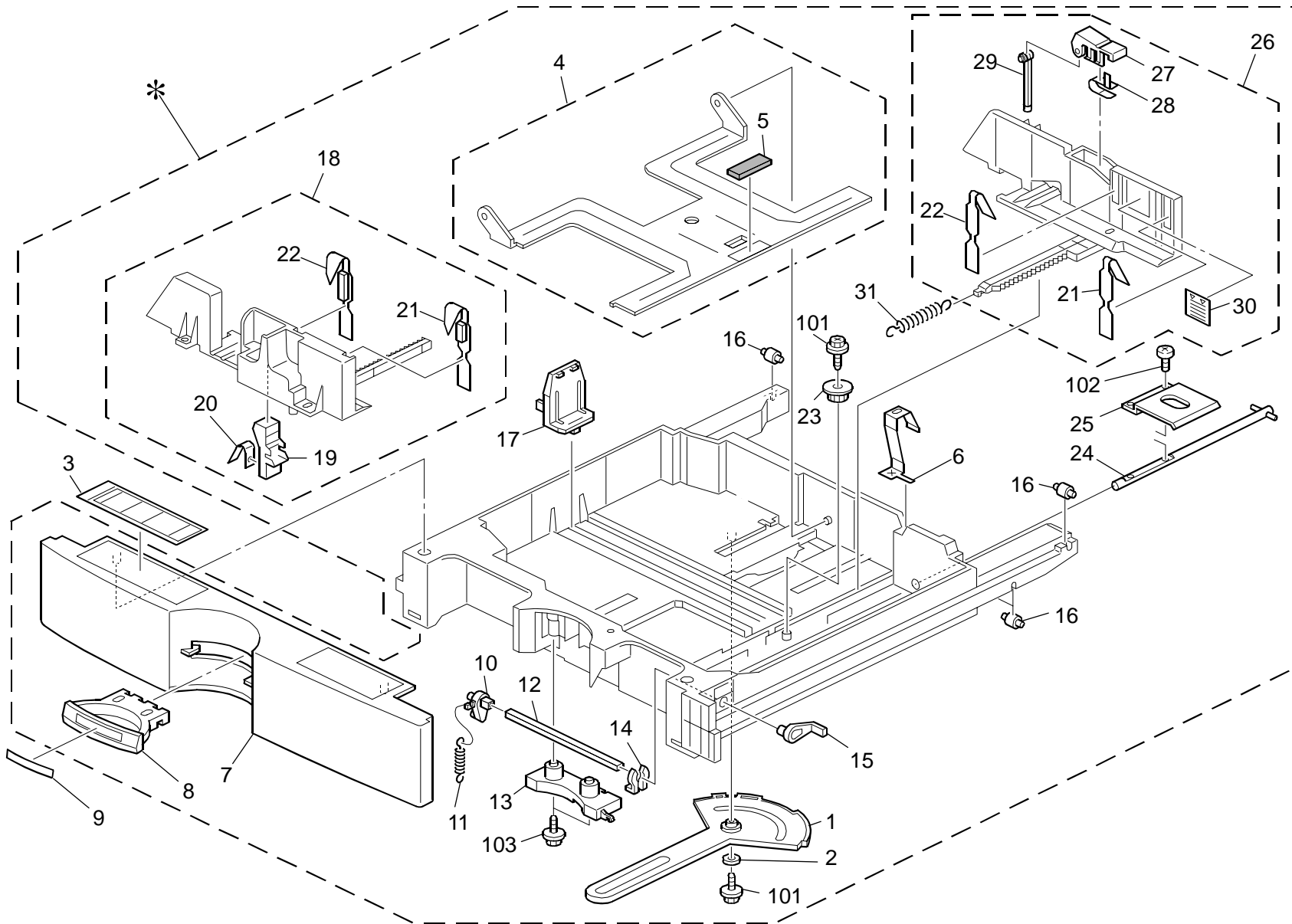
## 9.1st Paper Tray (B230/B237)

Index No.	Part No.	Description	Q'ty Per Assembly
*	B223 2850	Paper Tray Unit No.1	1
1	AA14 3843	Screw:DIA6	2
2	B223 2890	Slide Rail - Left	1
3	B223 2894	Slide Rail Stopper - Left	1
4	B223 2940	Tray Bottom Plate	1
5	AF01 3006	Bottom Plate Pad	1
6	B237 2521	Decal - Paper Set Direction No.1	1
7	B223 2857	Cover - Paper Tray No.1	1
8	B223 2860	Paper Tray Grip	1
9	B238 2526	Decal - Grip	1
10	B223 2862	Lever - Release Inner	1
11	AA06 0900	Spring	1
12	B223 2863	Release Shaft	1
13	B223 2861	Grip Holder	1
14	A222 2724	External Circlip - Mm8	1
15	B223 2864	Lever - Release Outer	1
16	A232 2987	Roller - Paper Tray	4
17	B223 2912	End Fence	1
18	B223 2870	Side Fence - Front	1
19	B223 2923	Stopper Lever - Front	1
20	B004 2923	Spring Plate - Release Lever	1
21	B223 2935	Plate - Side Fence Right	2
22	B223 2934	Plate - Side Fence	2
23	B223 2936	Gear - 16Z	1
24	B223 2865	Rise No.1 Shaft	1
25	B223 2918	Rise Lever	1
26	B223 2880	Side Fence - Rear	1
27	A267 2860	Rear Lever Stopper	1
28	A267 2857	Spring Plate - Side Fence	1
29	A267 2859	Side Fence Stopper	1
30	B223 2873	Decal - Side Fence Rear	1
31	AA06 1003	Tension Spring:Side Fence:Rear	1
32	B223 2869	Ground Plate	1
33	AA14 3577	Screw:TP:M4	1

Index No.	Part No.	Description	Q'ty Per Assembly
101	0450 4008N	Tapping Screw - M4x8	
102	0453 3008N	Binding Self Tapping Screw:3x8	
103	0450 3012N	Tapping Screw:3x12	



# 10.2nd Paper Tray (B230/B237)

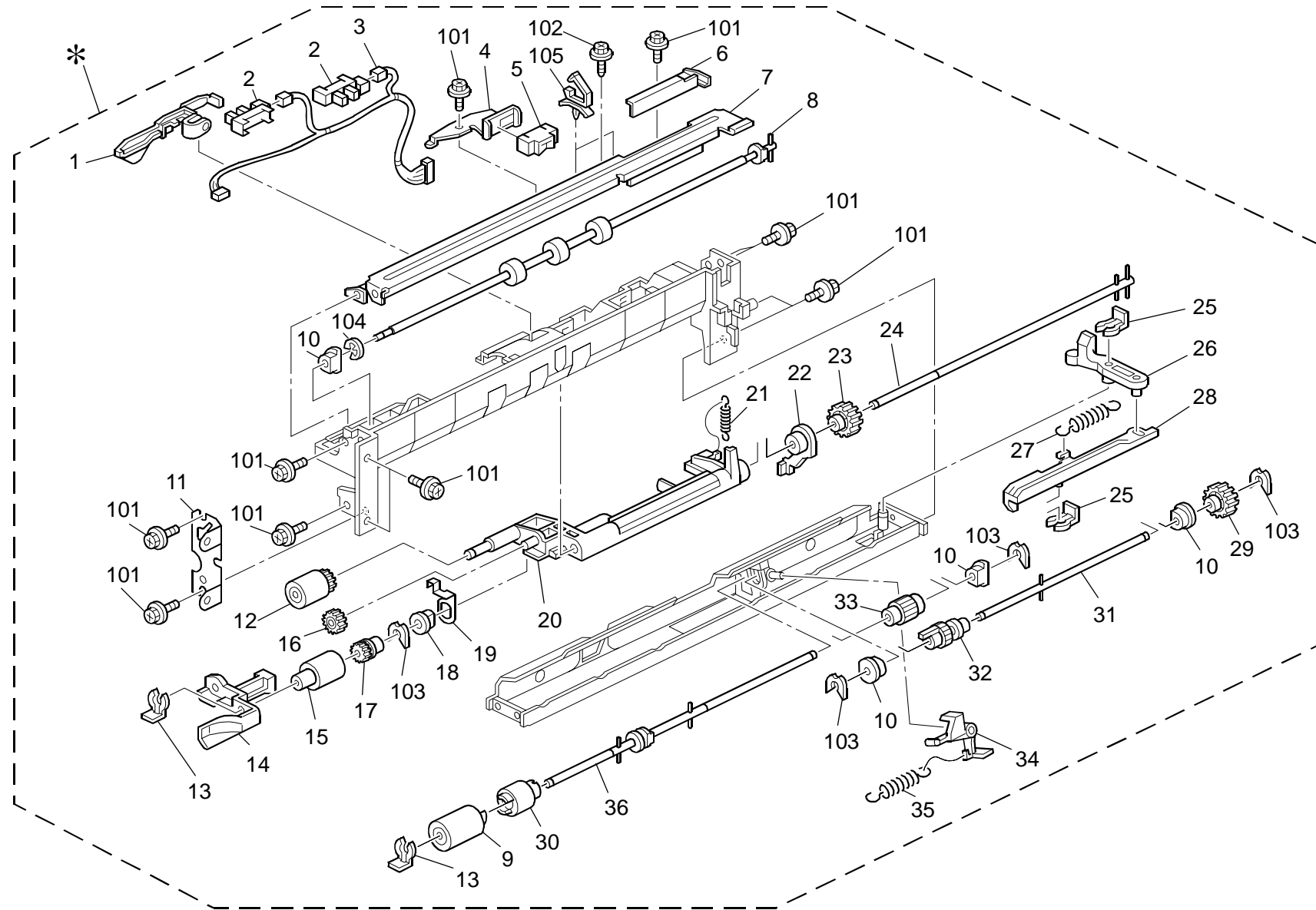


## 10.2nd Paper Tray (B230/B237)

Index No.	Part No.	Description	Q'ty Per Assembly
*	B223 2900	Paper Tray Unit No.2	1
1	B223 2910	Link - Paper Size Sensor	1
2	B223 2911	Spacer	1
3	B238 2523	Decal - Paper Set Direction No.2	1
4	B223 2940	Tray Bottom Plate	1
5	AF01 3006	Bottom Plate Pad	1
6	B223 2919	Ground Plate - Paper Tray No.2	1
7	B223 2946	Cover - Paper Tray No.2	1
8	B223 2860	Paper Tray Grip	1
9	B238 2527	Decal - Grip	1
10	B223 2862	Lever - Release Inner	1
11	AA06 0900	Spring	1
12	B223 2863	Release Shaft	1
13	B223 2861	Grip Holder	1
14	A222 2724	External Circlip - Mm8	1
15	B223 2864	Lever - Release Outer	1
16	A232 2987	Roller - Paper Tray	4
17	B223 2912	End Fence	1
18	B223 2920	Front Side Fence	1
19	B223 2923	Stopper Lever - Front	1
20	B004 2923	Spring Plate - Release Lever	1
21	B223 2935	Plate - Side Fence Right	2
22	B223 2934	Plate - Side Fence	2
23	B223 2936	Gear - 16Z	1
24	B223 2865	Rise No.1 Shaft	1
25	B223 2918	Rise Lever	1
26	B223 2930	Rear Side Fence	1
27	A267 2860	Rear Lever Stopper	1
28	A267 2857	Spring Plate - Side Fence	1
29	A267 2859	Side Fence Stopper	1
30	B223 2873	Decal - Side Fence Rear	1
31	AA06 1003	Tension Spring:Side Fence:Rear	1

Index No.	Part No.	Description	Q'ty Per Assembly
101	0450 4008N	Tapping Screw - M4x8	
102	0453 3008N	Binding Self Tapping Screw:3x8	
103	0450 3012N	Tapping Screw:3x12	

# 11. Paper Feed Section (B230/B237)

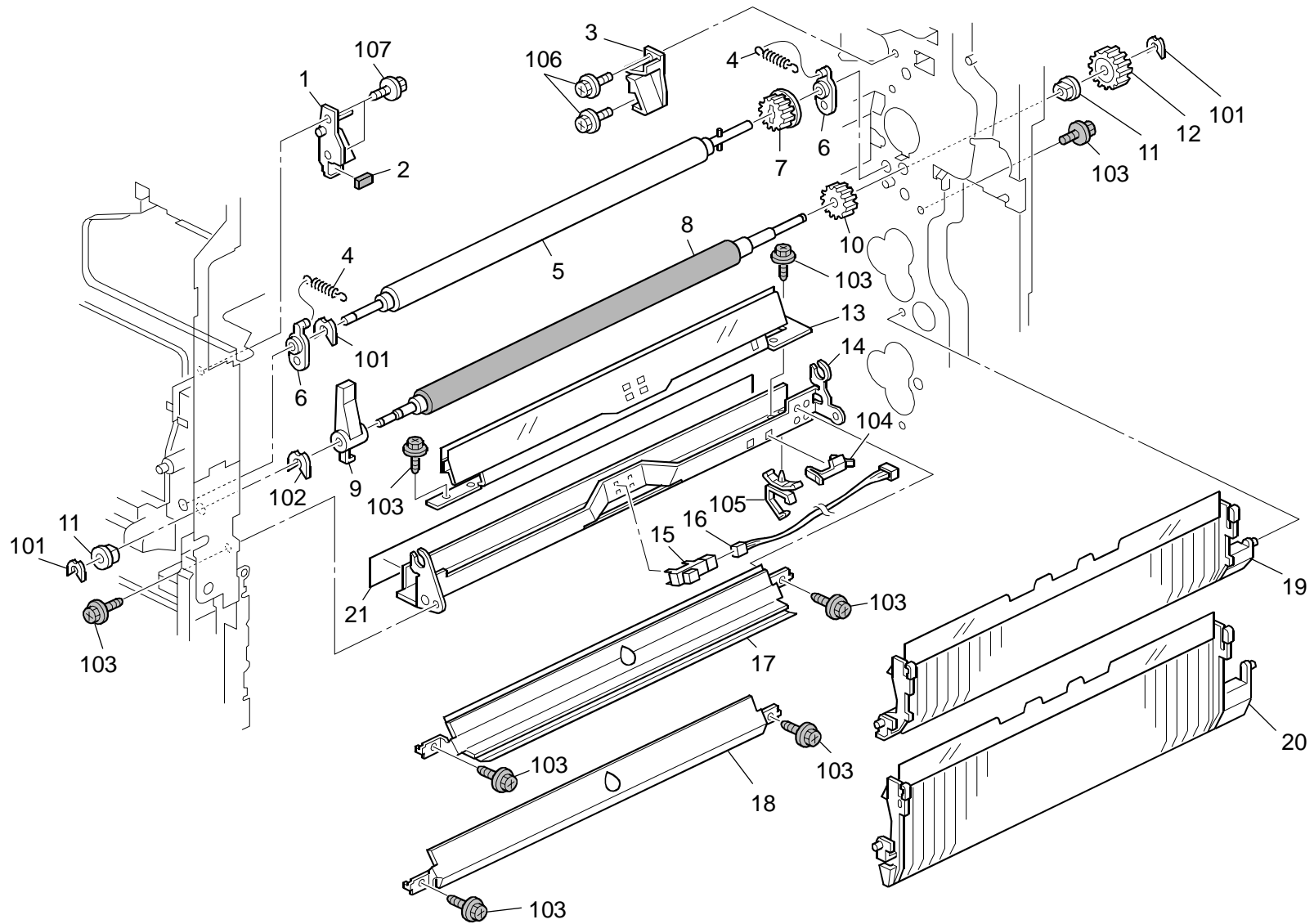


## 11.Paper Feed Section (B230/B237)

Index No.	Part No.	Description	Q'ty Per Assembly
*	B238 2520	Paper Feed Unit	2
1	B223 2767	Paper End Feeler	1
2	AW02 0145	Photointerruptor:Flat	2
3	B238 5375	Harness - Paper Feed Unit	1
4	B082 2781	Bracket:Sensor	1
5	AW01 0122	Paper Feed Sensor	1
6	B238 2576	Supporting Plate	1
7	B223 2776	Stay	1
8	B238 2569	Transport Roller	1
9	AF03 2090	Paper Feed Roller:Separate	1
10	AA08 2143	Bushing - 6x10x6	4
11	B223 2786	Ground Plate - Front	1
12	AF03 0090	Paper Feed Roller:Pickup	1
13	AA10 0014	Retaining Ring C - Separate	2
14	B223 2829	Feed Guide	1
15	AF03 1090	Paper Feed Roller:Feed	1
16	AB01 1252	Gear - 20Z	1
17	AB01 1218	Gear - Roller Clutch	1
18	AA08 2101	Bushing - 6x10x6	1
19	B223 2765	Ground Plate - Feed	1
20	B223 2761	Pickup Arm	1
21	AA06 0691	Tension Spring	1
22	G065 2767	Lever - Feed	1
23	B223 2764	Gear-24z	1
24	B223 2762	Feed Shaft	1
25	5206 2686	Snap Ring	2
26	G065 2776	Release Lever	1
27	AA06 2259	Spring - Release	1
28	G065 2775	Link Lever	1
29	B223 2819	Gear - 22Z	1
30	B004 2783	Torque Limiter	1
31	B223 2815	Separate Drive Shaft	1
32	AB01 0156	Gear:Separate:Drive	1
33	AB01 0157	Gear:Separate:Driven	1
34	G065 2774	Pressure Lever	1

Index No.	Part No.	Description	Q'ty Per Assembly
35	AA06 0693	Tension Spring	1
36	B223 2810	Separate Driven Shaft	1
101	0451 3006N	Tapping Screw - 3x6	
102	0450 3008N	Tapping Screw - M3x8	
103	0805 0089	Retaining Ring - M4	
104	0720 0040E	Retaining Ring - M4	
105	1105 0511	Harness Clamp - LWS-0306ZC	

## 12. Paper Registration 1 (B230/B237)

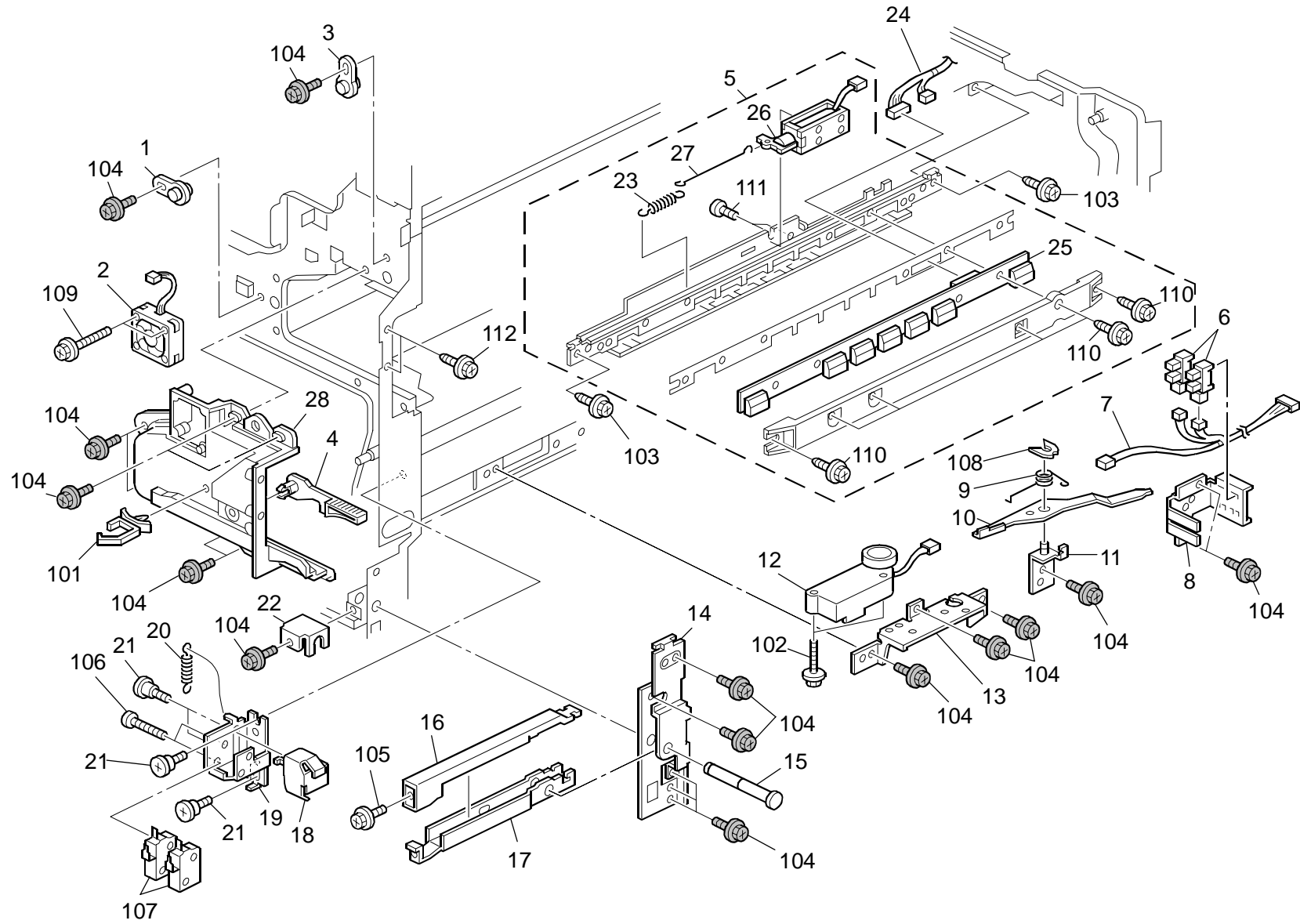


## 12.Paper Registration 1 (B230/B237)

Index No.	Part No.	Description	Q'ty Per Assembly
1	B223 6311	Positioning Guide - Front	1
2	B223 6315	Cushion	1
3	B223 6312	Positioning Guide - Rear	1
4	B238 2676	Tension Spring	2
5	B238 2661	Registration Roller - Driven	1
6	B238 2675	Registration Roller Bushing	2
7	B238 2657	Gear - 18Z	1
8	B238 2652	Registration Roller - Drive	1
9	B223 2558	Registration Roller Knob	1
10	B238 2655	Gear - 16Z	1
11	AA08 2101	Bushing - 6x10x6	2
12	B238 2656	Gear - 30Z	1
13	B238 2670	Cleaner Bracket	1
14	B238 2621	Stay	1
15	AW01 0107	Paper Feed Sensor	1
16	B238 5391	Harness - Registration Sensor	1
17	B238 2640	Registration Guide Plate - Right	1
18	B238 2612	Registration Guide Plate - Left	1
19	B223 2835	Guide Plate	1
20	B223 2840	Guide Plate No.2	1
21	B238 2622	Cover - Remove Paper Dust	1

Index No.	Part No.	Description	Q'ty Per Assembly
101	0805 0089	Retaining Ring - M4	
102	0805 0088	Retaining Ring - M6	
103	0454 3006Q	Tapping Screw - M3x6	
104	1105 0643	Clamp - RFC-14V0	
105	1105 0511	Harness Clamp - LWS-0306ZC	
106	0451 3006N	Tapping Screw - 3x6	
107	0454 3008Q	Tapping Screw:3x8	

# 13. Paper Registration 2 (B230/B237)



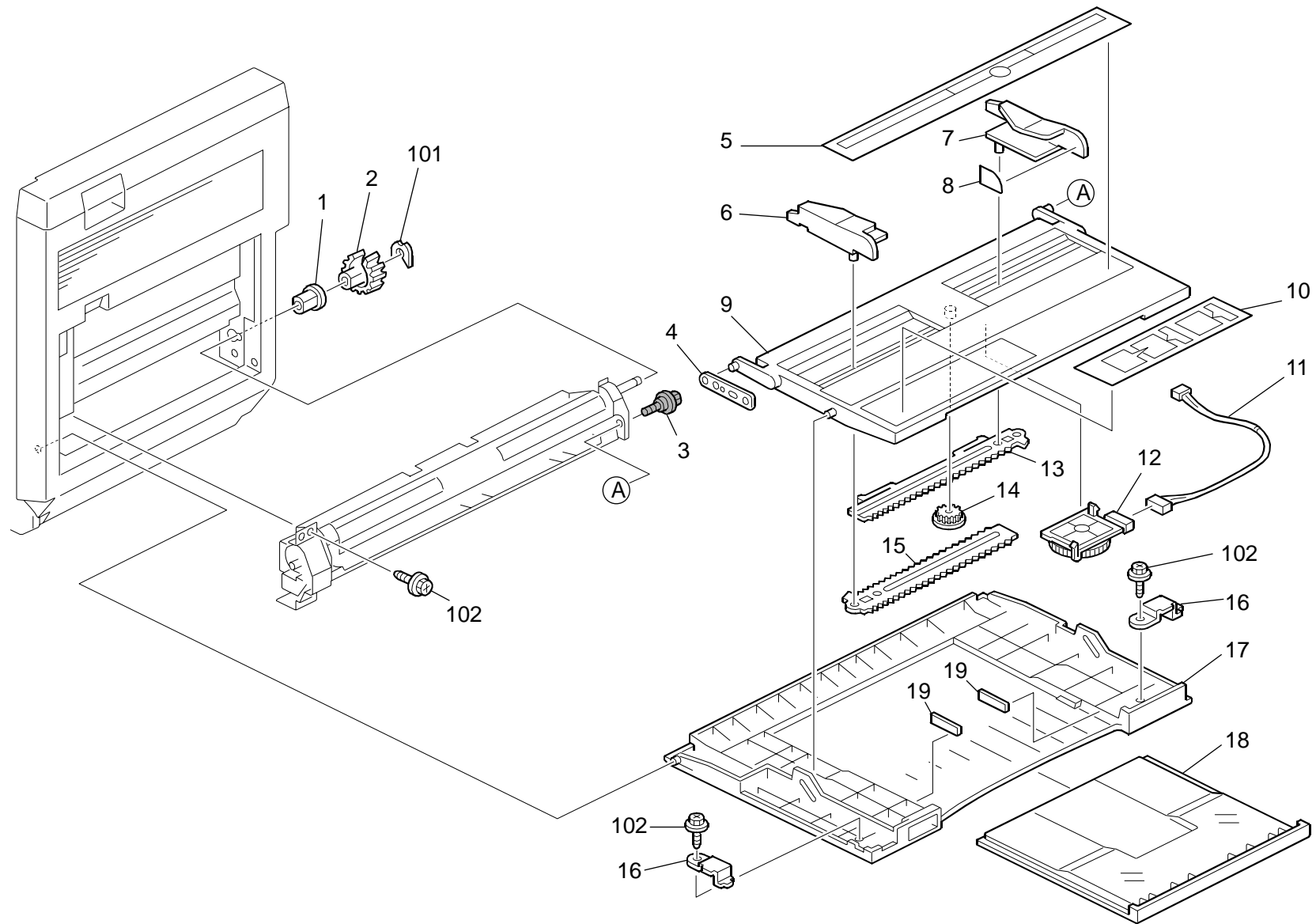
### 13.Paper Registration 2 (B230/B237)

Index No.	Part No.	Description	Q'ty Per Assembly
1	B238 1118	Lever - Front Left	1
2	GX64 0029	Fan:Mm40x15:Nidec:L	1
3	B238 1119	Lever - Front Upper	1
4	G052 4696	Right Fusing Lock Lever	1
5	B223 5876	Density Sensor:Ass'y	1
6	GW02 0020	Photointerruptor:Lg248nl1	2
7	B238 5310	Harness - IOB Image Unit Shutter	1
8	B223 1227	Sensor Shutter Bracket	1
9	B223 1224	Torsion Spring	1
10	B223 1225	Shutter Link	1
11	B223 1221	Sensor Link Bracket	1
12	B223 1213	DC Motor:Shutter:Ass'y	1
13	B223 1212	DC Motor Bracket	1
14	B238 1100	Grip Bracket - Right Front	1
15	B238 1106	Grip Shaft - Right Front	1
16	B238 1105	Grip Cover - Right Front	1
17	B238 1104	Grip - Right Front	1
18	B223 5814	Bracket - Safety Switch Lever	1
19	B223 5813	Safety Switch Bracket	1
20	AA06 3568	Pressure Spring	1
21	B223 1317	Screw	2
22	B238 1107	Grip Plate - Right Front	1
23	AA06 0151	Tension Spring	1
24	B238 5306	Harness - TM/P Sensor	1
25	B223 6395	Density Sensor	1
26	B238 5875	DC Solenoid DC24V	1
27	B238 5867	Hook:Solenoid:Sensor:TM	1
28	B238 1054	Guide Plate:Machine Or Copier:Fusin	1

Index No.	Part No.	Description	Q'ty Per Assembly
101	1105 0516	Clamp	
102	0451 3025N	Tapping Screw:M3x25	
103	0451 3006N	Tapping Screw - 3x6	
104	0454 3006Q	Tapping Screw - M3x6	
105	0451 4006N	Tapping Screw - 4x6	
106	0353 0250N	Screw:M3x25	
107	1204 2709	Switch - V-5F930DN	
108	0805 0088	Retaining Ring - M6	
109	0450 3025N	Tapping Screw:3x25	
110	0451 3008N	Tapping Screw - M3x8	
111	0312 5040N	Screw - M2.5X4	
112	0450 3010N	Tapping Screw - M3x10	



# 14.By-pass Feed Section 1 (B230/B237)

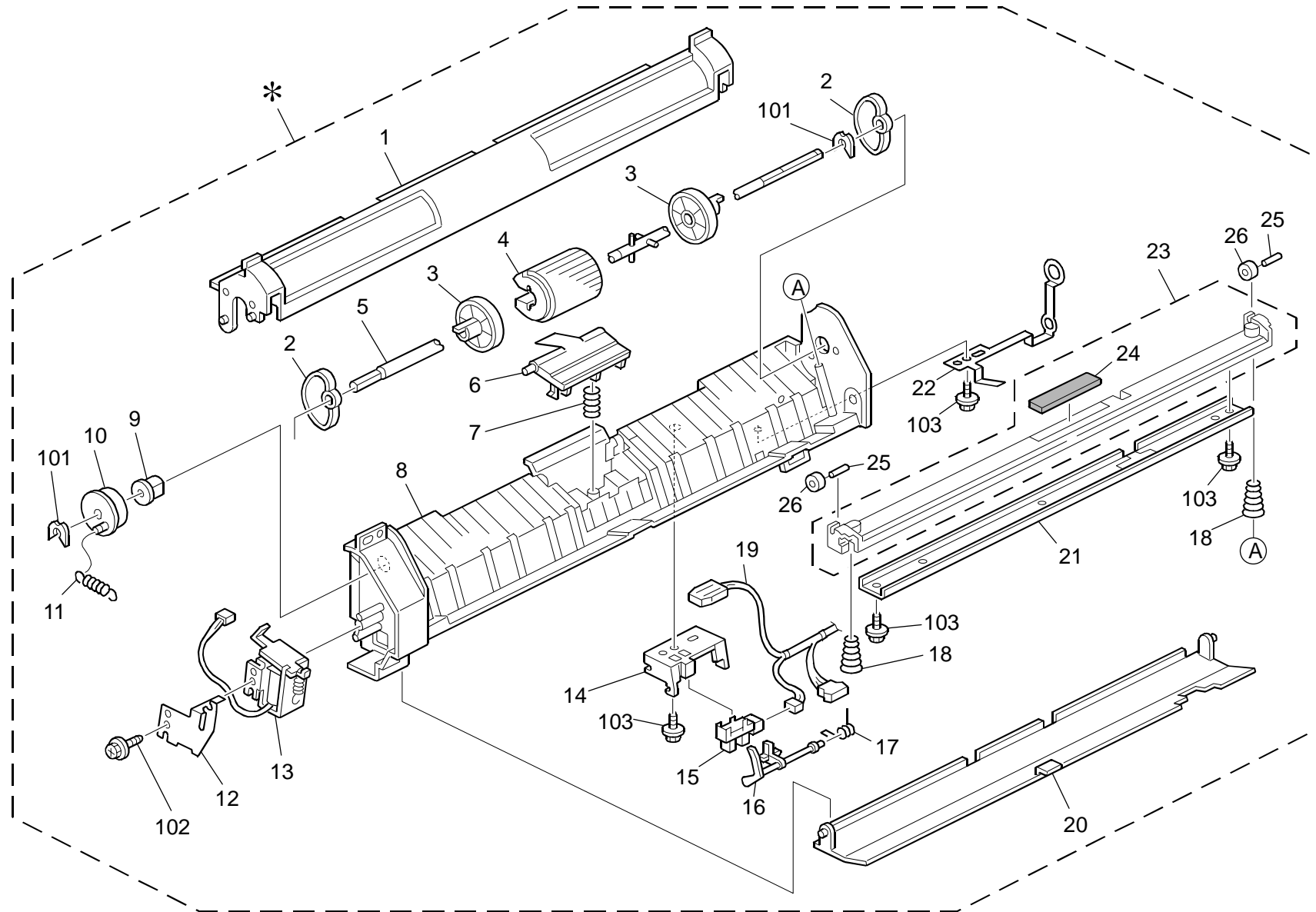


### 14.By-pass Feed Section 1 (B230/B237)

Index No.	Part No.	Description	Q'ty Per Assembly
*	B238 2710	Manual Feed Unit:Ass'y	1
1	AA08 2075	Bushing - M6	1
2	B238 2711	Gear - 30Z	1
3	AA14 3537	Screw:M3:Black	1
4	B238 2744	Arm:Manual Feed Table	1
5	B238 2751	Decal - Scale	1
6	B039 2631	Front Side Fence	1
7	B039 2632	Rear Side Fence	1
8	B238 2753	Decal - Side Fence	1
9	B238 2741	Manual Feed Table	1
10	B237 2752	Decal - Paper Set Direction	1
11	B238 5379	Harness - Manual Feed Table	1
12	AW50 0031	Paper Size Sensor	1
13	B039 2638	Rack - Rear Side Fence	1
14	G012 3050	Side Fence Gear	1
15	B039 2637	Rack - Front Side Fence	1
16	B238 2749	Magnet Catch Plate	2
17	B238 2746	Cover - Manual Feed Table	1
18	B238 2747	Extension Tray	1
19	B238 2748	Sheet:Damper	2

Index No.	Part No.	Description	Q'ty Per Assembly
101	0805 0089	Retaining Ring - M4	
102	0450 3008N	Tapping Screw - M3x8	

# 15.By-pass Feed Section 2 (B230/B237)

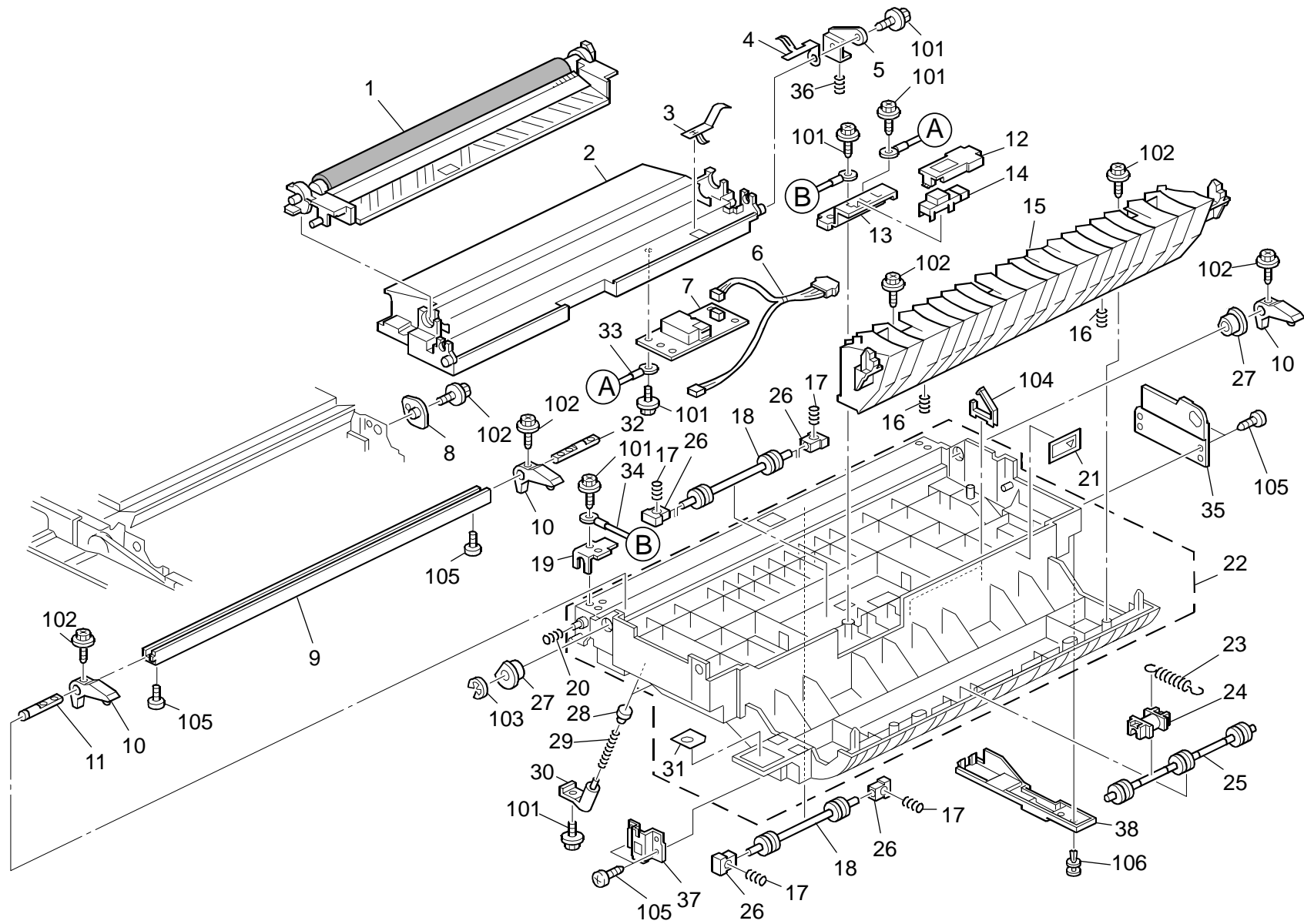


### 15.By-pass Feed Section 2 (B230/B237)

Index No.	Part No.	Description	Q'ty Per Assembly
1	B238 2731	Guide Plate - Upper	1
2	B238 2712	Cam - Manual Feed	2
3	B238 2726	Roller - Manual Feed	2
4	AF03 1068	Paper Feed Roller - Mm30	1
5	AA14 0868	Shaft - Manual Feed	1
6	B238 2727	Friction Pad	1
7	GA06 3063	Compression Spring:2n	1
8	B238 2715	Manual Feed Guide Plate - Lower	1
9	AA08 2058	Bushing - 6x10x9mm	1
10	B238 2713	Disc - Manual Feed	1
11	AA06 0993	Tension Spring - Disc Manual Feed	1
12	B238 2718	DC Solenoid Cover	1
13	AX11 0123	DC Solenoi 24V 9.6W	1
14	B238 2743	Holder - Paper End Sensor	1
15	AW02 0145	Photointerruptor:Flat	1
16	B238 2742	Feeler - Paper End Sensor	1
17	AA06 6367	Feeler Spring - Paper End Sensor	1
18	AA06 3436	Compression Spring - Manual Feed	2
19	B238 5378	Harness - Manual Feed Unit	1
20	B238 2724	Manual Feed Cover - Lower	1
21	B238 2722	Supporting Plate	1
22	B238 2723	Ground Plate	1
23	B238 2720	Manual Feed Guide Ass'y	1
24	5215 2713	Bottom Plate Pad	1
25	B238 2719	Pin	2
26	B238 2725	Roller - Tray Bottom Plate	2

Index No.	Part No.	Description	Q'ty Per Assembly
101	0805 0089	Retaining Ring - M4	
102	0450 3010N	Tapping Screw - M3x10	
103	0450 3008N	Tapping Screw - M3x8	

# 16. Paper Transfer Section (B230/B237)

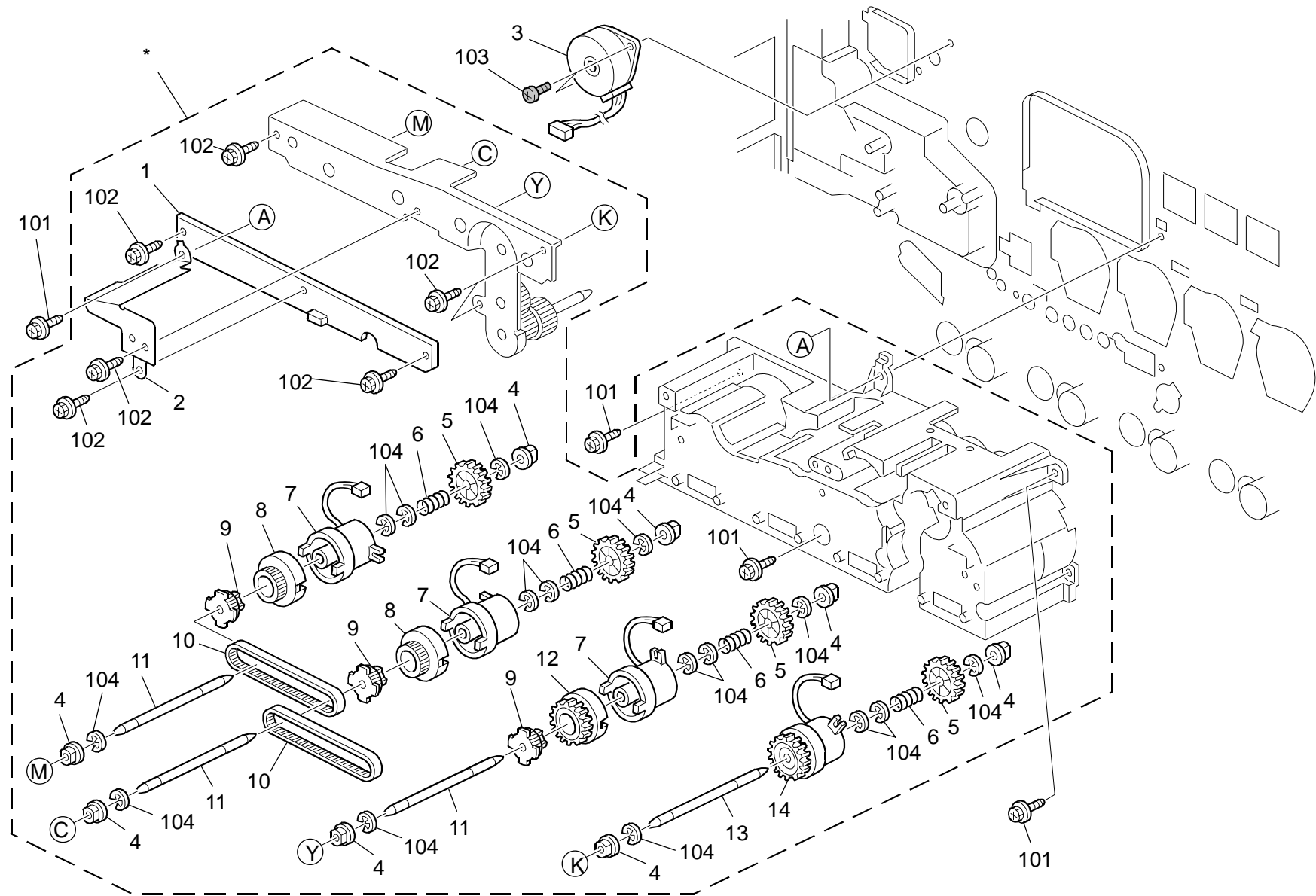


## 16.Paper Transfer Section (B230/B237)

Index No.	Part No.	Description	Q'ty Per Assembly
1	B238 6260	Transfer/separation Unit:At:Ass'y	1
2	B223 6281	Transfer Roller Case	1
3	B223 6289	Terminal	1
4	B223 6285	Transfer Roller Terminal	1
5	B223 6287	Tab	1
6	B223 4561	Harness - Second Transfer Unit	1
7	AZ30 0056	Power Pack D	1
8	B238 4658	Contact Point Bracket	1
9	B223 6320	Lever Bracket - Middle	1
10	B223 6306	Release Lever	3
11	B223 6322	Lever Shaft - Front	1
12	B238 4739	Cover - Entrance Sensor	1
13	B238 4733	Entrance Sensor Bracket	1
14	AW01 0118	Paper Feed Sensor	1
15	B238 4664	Guide Plate - Left Upper	1
16	B238 4732	Compression Spring	2
17	B238 4731	Compression Spring	4
18	G060 2641	Transport Driven Roller - Middle	2
19	B238 4738	Ground Plate	1
20	B238 4735	Compression Spring	1
21	B238 4740	Cover - Harness	1
22	B238 4728	Duplex Guide Plate	1
23	AA06 2306	Pressure Spring	1
24	AA08 0312	Bushing - 5mm	1
25	AF02 2137	Driven Transport Roller	1
26	AA08 0313	Driven Roller Bushing	4
27	AA08 2145	Bushing - 8x12x7	2
28	B223 6319	Spring Cap	2
29	B223 6308	Transfer Spring	2
30	B223 6321	Spring Anchor	2
31	B238 4729	Decal - Grip (Z)	1
32	B223 6323	Lever Shaft - Rear	1
33	B223 6317	Ground Wire - Power Pack	1
34	B238 5393	Harness - Ground Wire	1
35	B223 6290	Drum Stay - Rear	1

Index No.	Part No.	Description	Q'ty Per Assembly
36	B238 4736	Compression Spring - Earth Hvpp	1
37	B238 4737	Guide Plate	1
101	0450 3008N	Tapping Screw - M3x8	
102	0451 3006N	Tapping Screw - 3x6	
103	0720 0060E	Retaining Ring - M6	
104	1105 0551	Clamp:Les-0505	
105	0452 3008N	Tapping Screw - M3x8	
106	B238 2524	Decal - Paper Size	

# 17.Toner Hopper 1 (B230/B237)



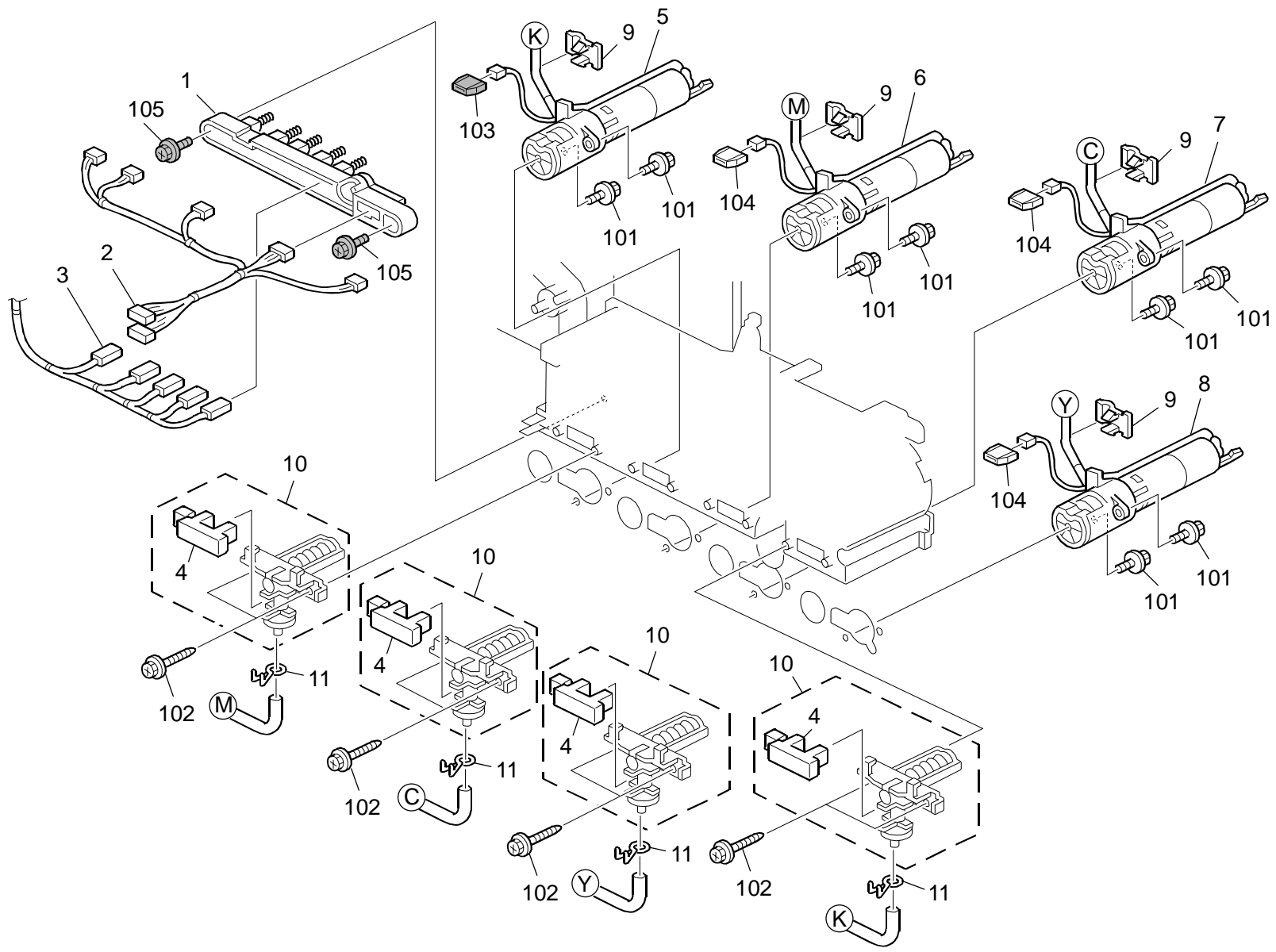
### 17.Toner Hopper 1 (B230/B237)

Index No.	Part No.	Description	Q'ty Per Assembly
*	B223 3400	Toner Supply Drive Unit	1
1	B238 5050	PCB RFID	1
2	B223 3470	Rfid Ground Plate	1
3	AX05 0265	Stepper Motor DC24V	1
4	AA08 2101	Bushing - 6x10x6	8
5	B223 3463	Gear:Toner Bottle:Drive	4
6	B223 3428	Spring:Drive Unit:Toner Bottle	4
7	B223 3457	Magnetic Clutch - 0.25n.m YCM	3
8	B223 3462	Pulley:Toner Bottle:CM	2
9	B223 3461	Pulley:Toner Bottle:YC	3
10	B223 3441	Timing Belt:Toner Bottle	2
11	B223 3426	Shaft:Drive:Drive Unit:CM	2
12	B223 3464	Gear:Magnetic Clutch:Y	1
13	B223 3424	Shaft:Drive:Drive Unit:BKY	1
14	B223 3455	Magnetic Clutch - 0.25n.m BK	1

Index No.	Part No.	Description	Q'ty Per Assembly
101	0451 3006N	Tapping Screw - 3x6	
102	0450 3012N	Tapping Screw:3x12	
103	0802 5305	Tapping Screw - M3x6	
104	0720 0040E	Retaining Ring - M4	



# 18.Toner Hopper 2 (B230/B237)

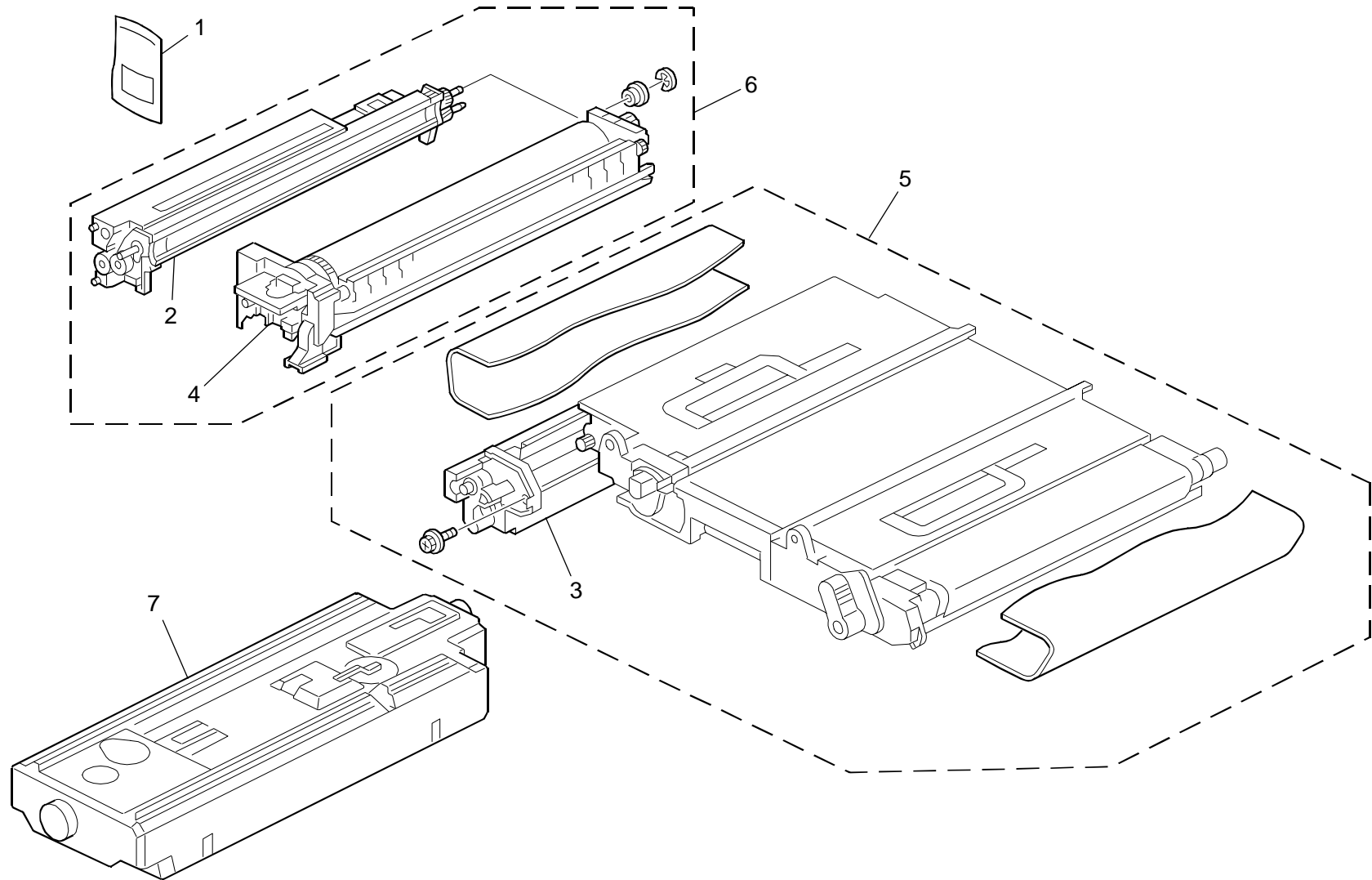


### 18.Toner Hopper 2 (B230/B237)

Index No.	Part No.	Description	Q'ty Per Assembly
1	B223 6140	Drawer:Intermediate Transfer:Ass'y	1
2	B238 5309	Harness - Toner Supply	1
3	B238 5387	Harness - High Voltage Line T TS	1
4	AW02 0185	Toner End Sensor	4
5	B223 3201	Pump Unit - BK	1
6	B223 3204	Pump Unit - M	1
7	B223 3203	Pump Unit - C	1
8	B223 3202	Pump Unit - Y	1
9	B223 3206	Tube Clamp	4
10	B223 3205	Nozzle Ass'y	4
11	B223 3209	Tube Clip	4

Index No.	Part No.	Description	Q'ty Per Assembly
101	0451 3008N	Tapping Screw - M3x8	
102	0450 3012N	Tapping Screw:3x12	
103	1102 6259	Connector - 2P	
104	1102 6245	Relay Connector - 2P	
105	0454 3006Q	Tapping Screw - M3x6	

## 19.PCU/Transfer Unit (B230B237)

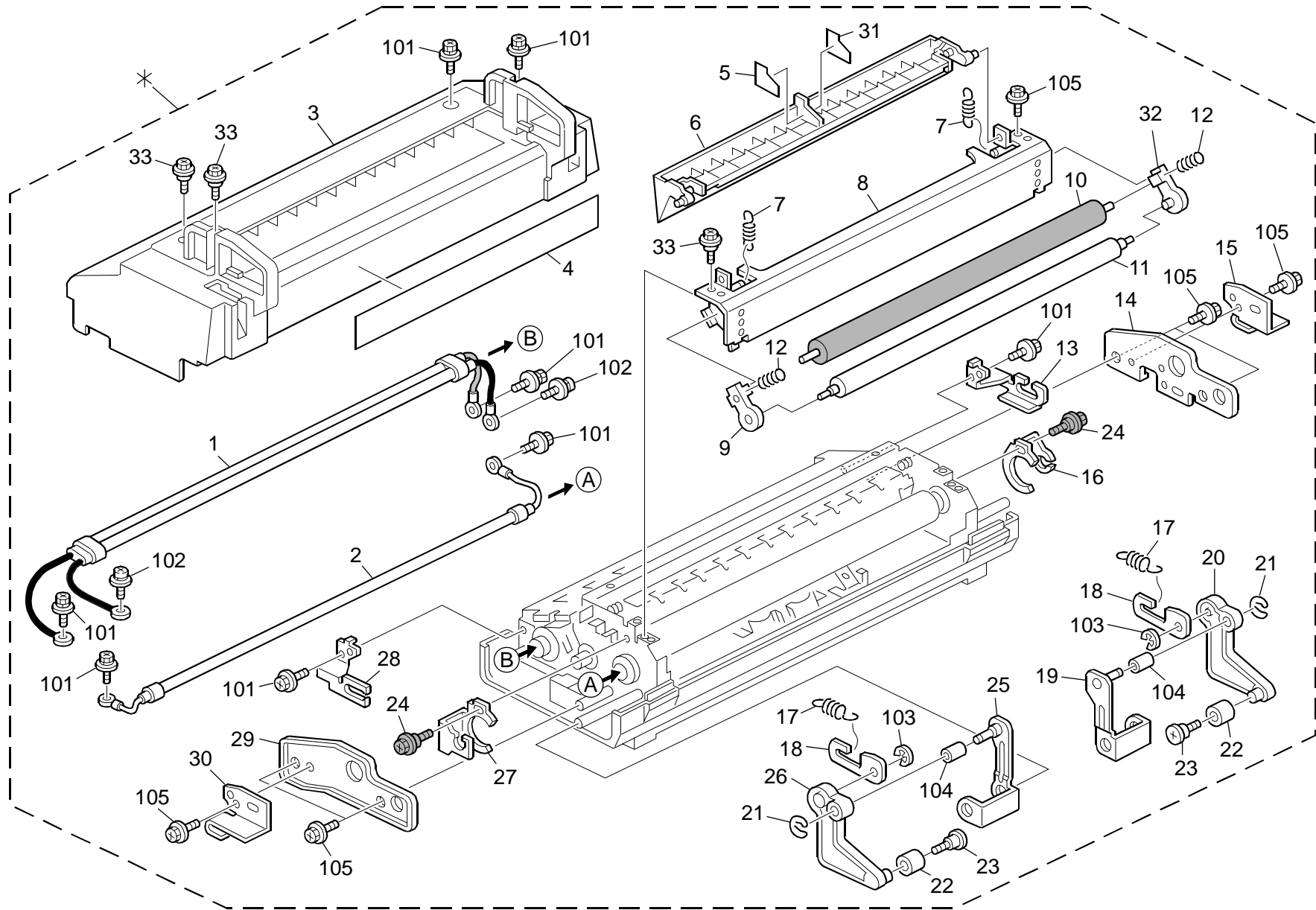


### 19.PCU/Transfer Unit (B230B237)

Index No.	Part No.	Description	Q'ty Per Assembly
1	B230 9640	Developer:BK	1
1	B230 9660	Developer:C	1
1	B230 9670	Developer:M	1
1	B230 9680	Developer:Y	1
2	B223 3013	Development Unit:BK	1
2	B223 3023	Development Unit:M	1
2	B223 3033	Development Unit:C	1
2	B223 3043	Development Unit:Y	1
3	B223 6023	Cleaning Unit	1
4	B223 2244	Drum Unit:BK	1
4	B223 2245	Drum Unit:M	1
4	B223 2246	Drum Unit:C	1
4	B223 2247	Drum Unit:Y	1
5	B223 6020	Image Transfer Unit	1
6	B223 2204	PCU:BK	1
6	B223 2205	PCU:C	1
6	B223 2206	PCU:M	1
6	B223 2207	PCU:Y	1
7	B223 6510	Toner Collection Bottle	1

Index No.	Part No.	Description	Q'ty Per Assembly

## 20.Fusing Unit 1 (B230/B237)

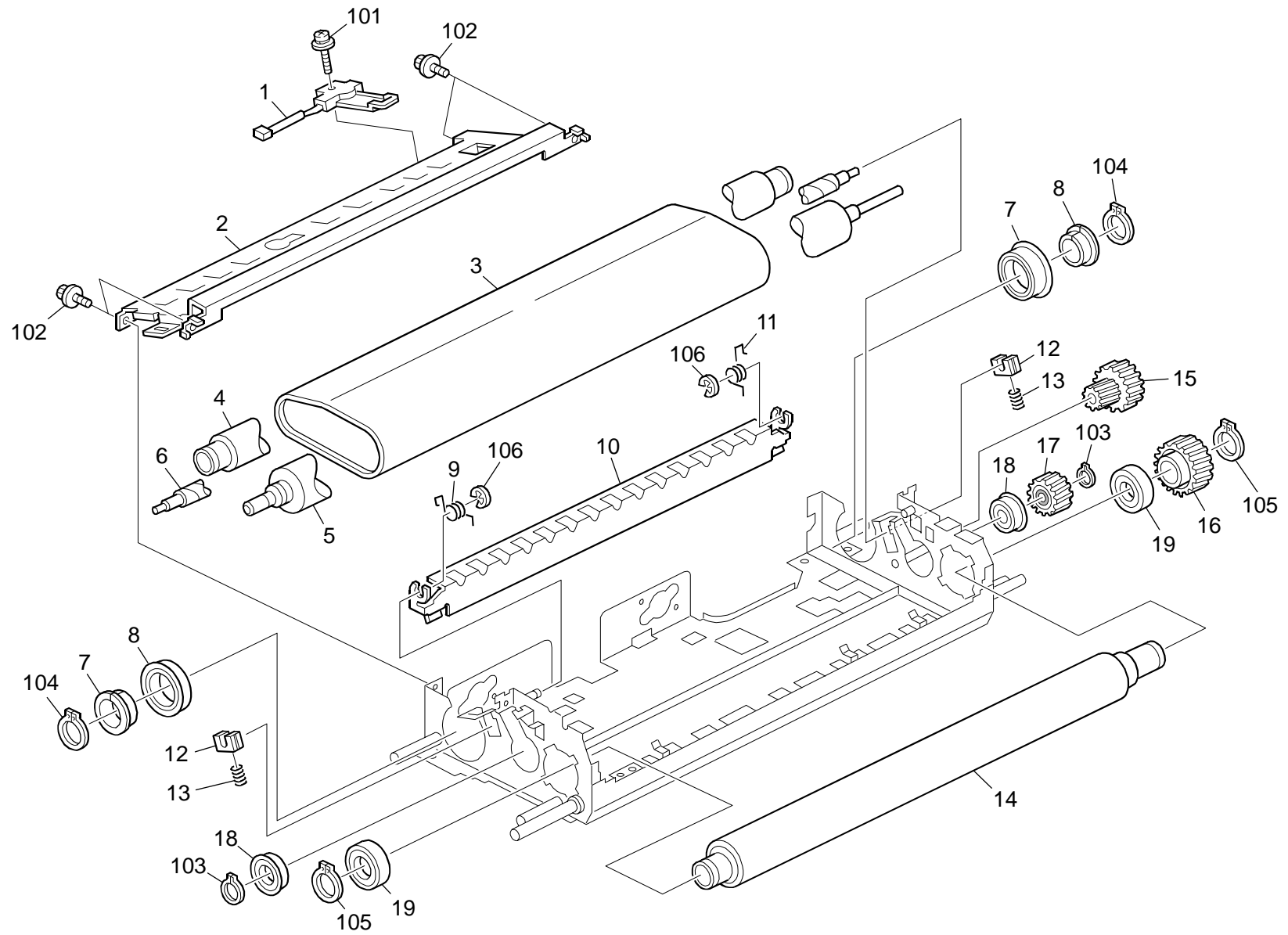


## 20.Fusing Unit 1 (B230/B237)

Index No.	Part No.	Description	Q'ty Per Assembly
*	B237 4053	Fusing Unit:NA:Maintenance	1
*	B237 4054	Fusing Unit:EU:Maintenance	1
1	AX44 0255	Heater - 213V 700W/500W	1
1	AX44 0265	Heater:107V:700W/500W	1
2	AX43 0174	Heater - 213V 250W	1
2	AX43 0184	Heater:107V:250W	1
3	B238 4331	Fusing Cover:Upper	1
4	B238 4335	Decal:Warning (High Temperature):FU	1
5	B238 4285	Sheet:B2:Lever:Face Front	1
6	B238 4281	Guide Plate:Fusing Exit	1
7	AA06 0989	Spring:Fusing Exit:Pressure	2
8	B238 4211	Stay:Fusing:Right:Peen	1
9	AE03 1061	Front Bushing - Oil Supply Roller	1
10	AE04 0065	Oil Supply Roller	1
11	AE04 0066	Cleaning Roller - Oil Supply Roller	1
12	AA06 3953	Compression Spring:Oil Supply Rolle	2
13	B238 4232	Bracket:Heater:Fusing:Rear	1
14	B238 4254	Bracket:Frame:Rear:Peen	1
15	B238 4257	Positioning Plate:Rear	1
16	B238 4243	Bracket:Heater:Pressure:Rear	1
17	AA06 0990	Spring:Pressure:50n	2
18	B238 4197	Lever:Lock:Pressure	2
19	B238 4195	Lever:Pressure:Rear:Peen	1
20	B238 4191	Lever:Pressure Release:Rear	1
21	B238 4166	End Ring:Spring:Dia4	2
22	B238 4194	Roller:Lever:Pressure	2
23	AA14 3792	Screw:Drawer	2
24	B238 4483	Screw	2
25	B238 4175	Lever:Pressure:Front:Peen	1
26	B238 4171	Lever:Pressure Release:Front	1
27	B238 4241	Bracket:Heater:Pressure:Front	1
28	B238 4231	Bracket:Heater:Fusing:Front	1
29	B238 4252	Bracket:Frame:Front	1
30	B238 4253	Positioning Plate:Front	1
31	B238 4286	Sheet:B2:Lever:Behind	1

Index No.	Part No.	Description	Q'ty Per Assembly
32	AE03 1062	Rear Bushing - Oil Supply Roller	1
33	AA14 3520	Shoulder Screw - M3	3
101	0804 6123	Hexagonal Bolt:W/Washer:M3x8	
102	0954 4008N	Screw - M4X8	
103	0720 0030E	Retaining Ring - M3	
104	0733 0408	Bushing:4x8	
105	0360 3006N	Screw - M3X6	

## 21.Fusing Unit 2 (B230/B237)



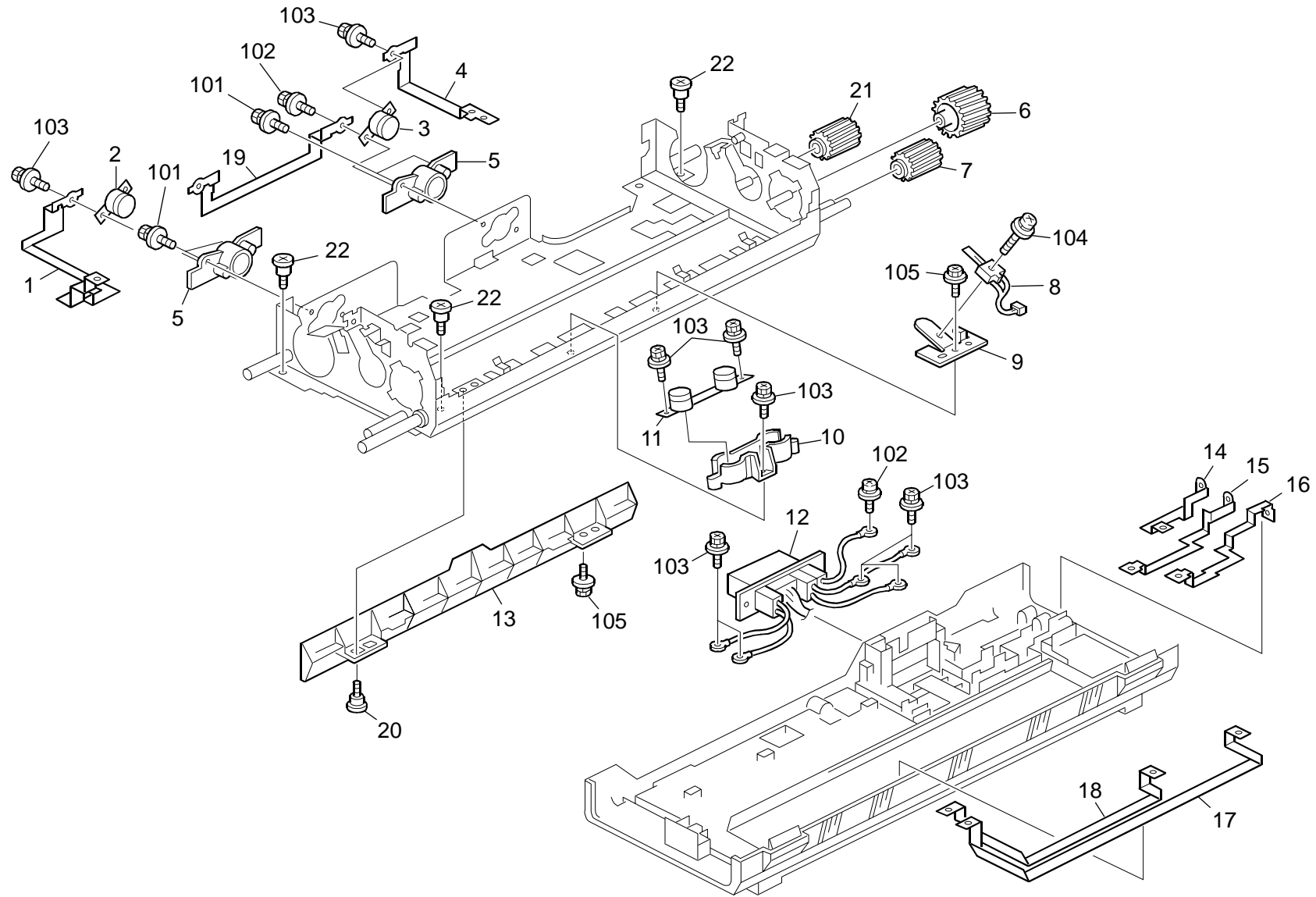
## 21.Fusing Unit 2 (B230/B237)

Index No.	Part No.	Description	Q'ty Per Assembly
1	AW10 0105	Thermistor:Fusing	1
2	B238 4202	Stay:Fusing:Upper	1
3	B238 4070	Fusing Belt	1
4	AE02 0156	Pressure Roller	1
5	AE01 0054	Hot Roller	1
6	AE04 0064	Belt Tension Roller	1
7	AE03 2030	Bushing - 20x25	2
8	AE03 0066	Ball Bearing:Mm25xmm32x7	2
9	AA06 6667	Spring:Stripper Plate:Front	1
10	B238 4291	Stripper Plate:Coat	1
11	AA06 6668	Spring:Stripper Plate:Rear	1
12	AE03 1045	Bushing - Belt Tension Roller	2
13	AA06 3952	Compression Spring:Belt Tensioner	2
14	AE01 2030	Heat Roller:Dia25:Coat	1
15	AB01 3890	Gear:Idler:Z14xz23	1
16	AB01 4278	Gear:Idler:Drive	1
17	AB01 3722	Gear:Hot Roller:Roller Clutch:Z22	1
18	AE03 0065	Ball Bearing:Dia12xdia21x7	2
19	AE03 0068	Ball Bearing:Dia17xdia26x5	2

Index No.	Part No.	Description	Q'ty Per Assembly
101	0954 3010N	Screw:Polished Round/spring:M3x10	
102	0360 3006N	Screw - M3X6	
103	0727 0080E	Retaining Ring - M8	
104	0725 0120E	Retaining Ring C - M12	
105	0725 0170E	Retaining Ring C - M17	
106	0720 0040E	Retaining Ring - M4	



## 22.Fusing Unit 3 (B230/B237)

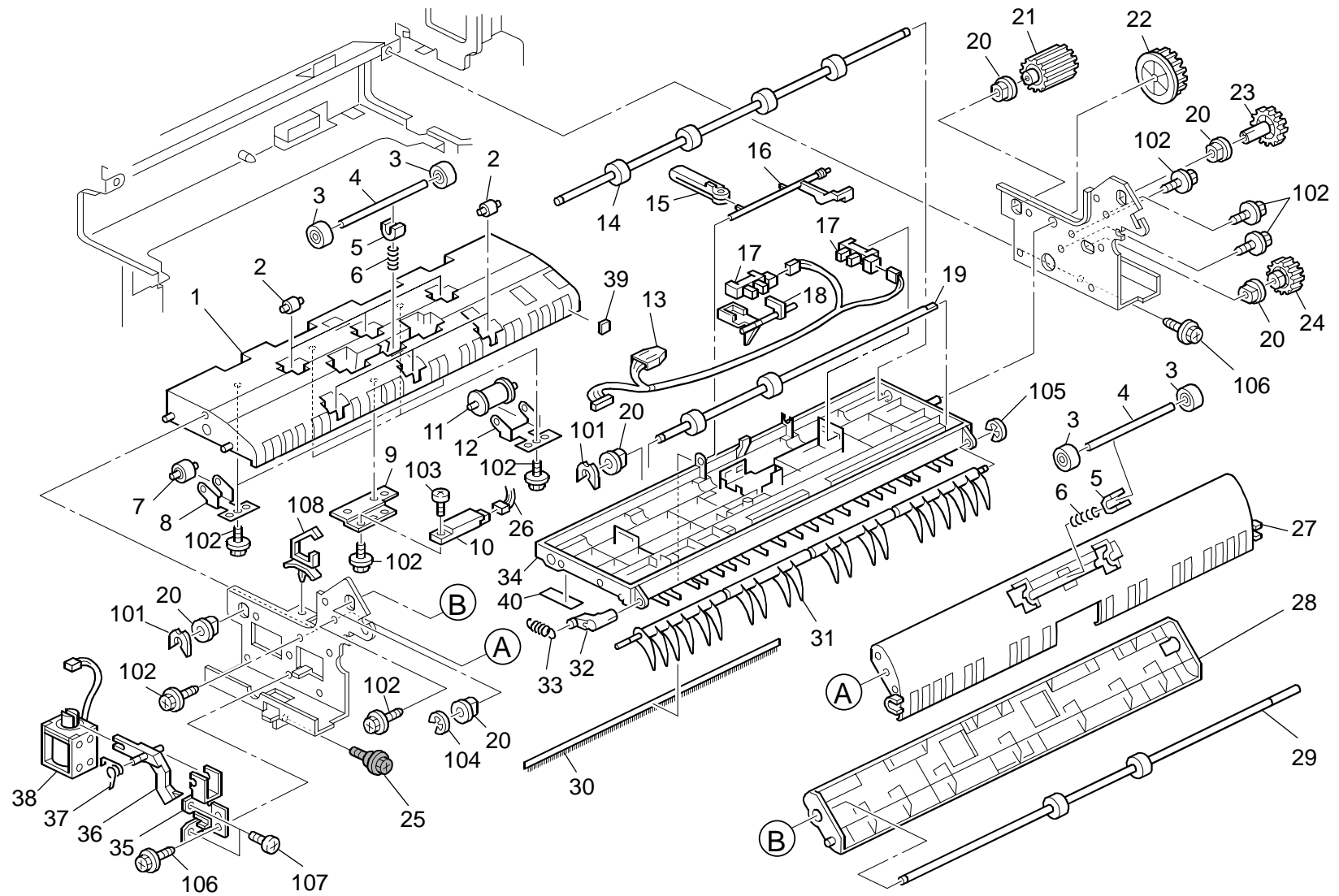


## 22.Fusing Unit 3 (B230/B237)

Index No.	Part No.	Description	Q'ty Per Assembly
1	B238 4315	Electrode Plate:Fusing:Common	1
2	AW11 0059	Thermostat:190 ° c	1
3	AW11 0058	Thermostat:177 ° c	1
4	B238 4313	Electrode Plate:Thermostat	1
5	B238 4123	Thermostat Housing	2
6	GB01 0007	Gear:Idler:Fusing Unit	1
7	AB01 3861	Gear:Idler:Z14	1
8	AW10 0104	Thermistor	1
9	B238 4111	Thermistor Bracket	1
10	B238 4134	Thermostat Housing	1
11	AW11 0055	Thermostat - 146c/147c	1
12	B237 4307	Harness:Fusing Unit:TWN	1
12	B237 4305	Harness:Fusing Unit:EU	1
13	B238 4271	Fusing Entrance Guide Plate	1
14	B238 4311	Electrode Plate:Fusing:Main	1
15	B238 4312	Electrode Plate:Fusing:Sub	1
16	B238 4316	Electrode Plate:Pressure	1
17	B238 4318	Electrode Plate:Pressure:Thermostat	1
18	B238 4319	Electrode Plate:Pressure:Common	1
19	B238 4314	Electrode Plate:Thermostat:Connecti	1
20	AA14 3870	Stepped Screw	1
21	GB01 0011	Gear:Idler:Z16	1
22	5894 2540	Arm Screw	3

Index No.	Part No.	Description	Q'ty Per Assembly
101	0954 4012N	Screw:Polished Round/spring:M4x12	
102	0954 4008N	Screw - M4X8	
103	0804 6123	Hexagonal Bolt:W/Washer:M3x8	
104	0954 3010N	Screw:Polished Round/spring:M3x10	
105	0360 3006N	Screw - M3X6	

## 23.Paper Exit (B230/B237)

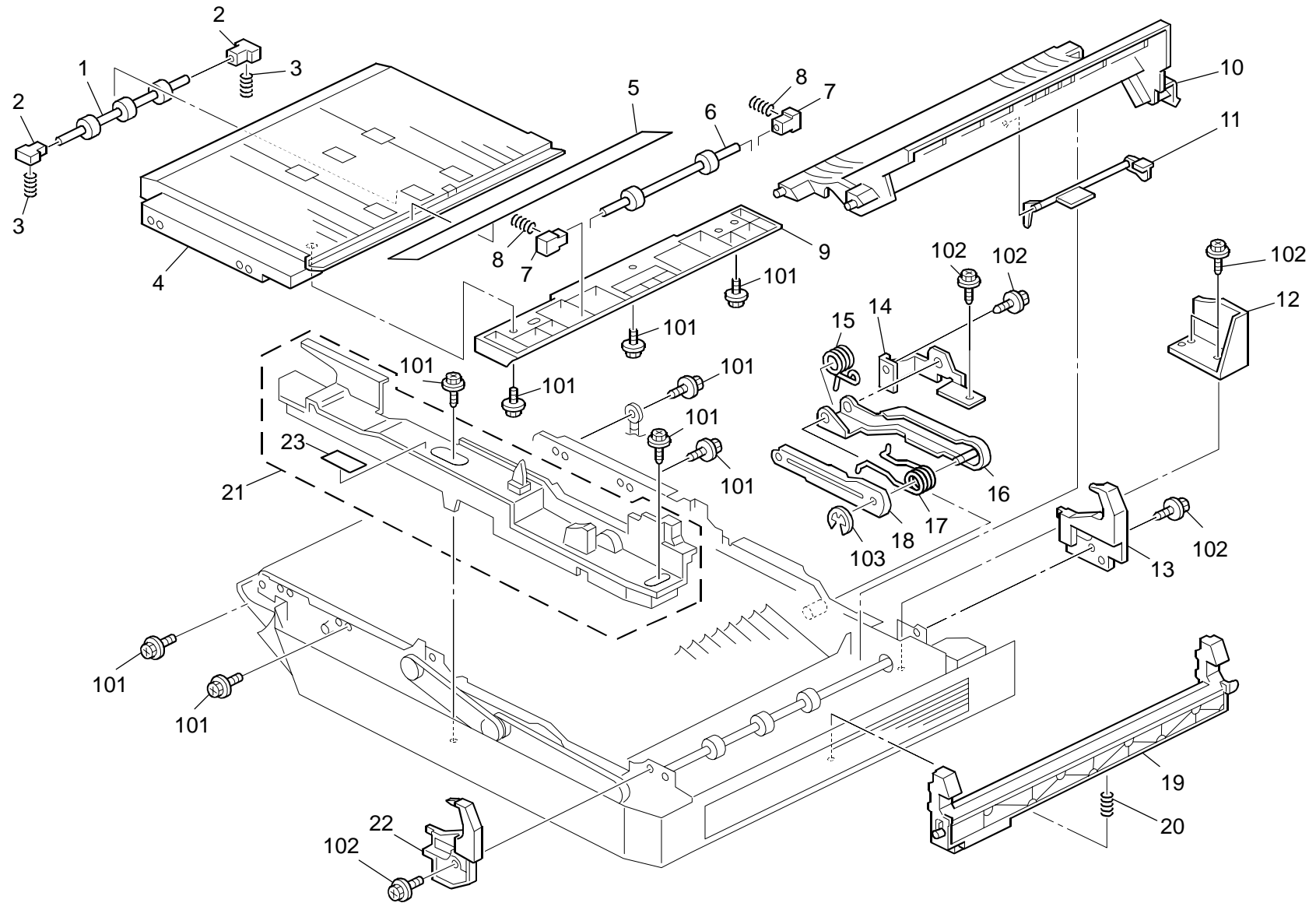


## 23.Paper Exit (B230/B237)

Index No.	Part No.	Description	Q'ty Per Assembly
1	B223 4431	Exit Guide Plate - Lower	1
2	AF04 0571	Guide Roller	6
3	B223 4433	Roller - Dia16	4
4	B223 4432	Pressure Shaft	2
5	AA08 0156	Bushing - M4	2
6	B238 4458	Compression Spring - Driven Roller	2
7	AF04 0567	Tension Roller	2
8	B238 4436	Spring Plate - Exit Roller Outer	2
9	B238 4454	Sensor Bracket	1
10	AW01 0127	Paper Feed Sensor	1
11	AF04 0566	Tension Roller	2
12	B223 4436	Spring Plate - Exit Roller	2
13	B238 5390	Harness - Exit	1
14	B238 4441	Exit Roller	1
15	B238 4987	Overflow Feeler	1
16	B238 4985	Overflow Feeler Shaft	1
17	AW02 0145	Photointerruptor:Flat	2
18	B238 4449	Paper Feed Sensor Feeler	1
19	B238 4442	Transport Roller	1
20	AA08 2101	Bushing - 6x10x6	5
21	B238 4444	Gear - 28Z	1
22	B238 4445	Gear - 45Z	1
23	B238 4915	Gear - 28Z	1
24	B238 4446	Gear - 28Z	1
25	B238 4483	Screw	1
26	B238 5389	Harness - Fusing Exit Sensor	1
27	B238 4922	Reverse Guide Plate - Lower	1
28	B238 4912	Reverse Guide Plate - Upper	1
29	B238 4911	Reverse Roller	1
30	B223 4491	Discharge Brush:Exit	1
31	B238 4472	Gate Pawl	1
32	B238 4476	Gate Pawl Lever	1
33	B238 4475	Spring - Gate Pawl Lever	1
34	B238 4443	Exit Guide Plate - Upper	1
35	B238 4473	DC Solenoid Bracket	1

Index No.	Part No.	Description	Q'ty Per Assembly
36	B238 4479	Lever - DC Solenoid Gate Pawl	1
37	B238 4477	Spring - DC Solenoid Gate Pawl	1
38	B482 3817	DC Solenoid:24V:4.0n:Ass'y	1
39	B238 4438	Buffer:Gate Pawl	1
40	B238 4447	Guide:Exit Roller:Auxiliary	1
101	0805 0089	Retaining Ring - M4	
102	0450 3010N	Tapping Screw - M3x10	
103	0353 0100N	Screw-m3x10	
104	0720 0040E	Retaining Ring - M4	
105	0720 0025E	Retaining Ring - M2.5	
106	0451 3006N	Tapping Screw - 3x6	
107	0353 0040N	Screw - M3X4	
108	1105 0516	Clamp	

## 24. Duplex Unit 1 (B230/B237)

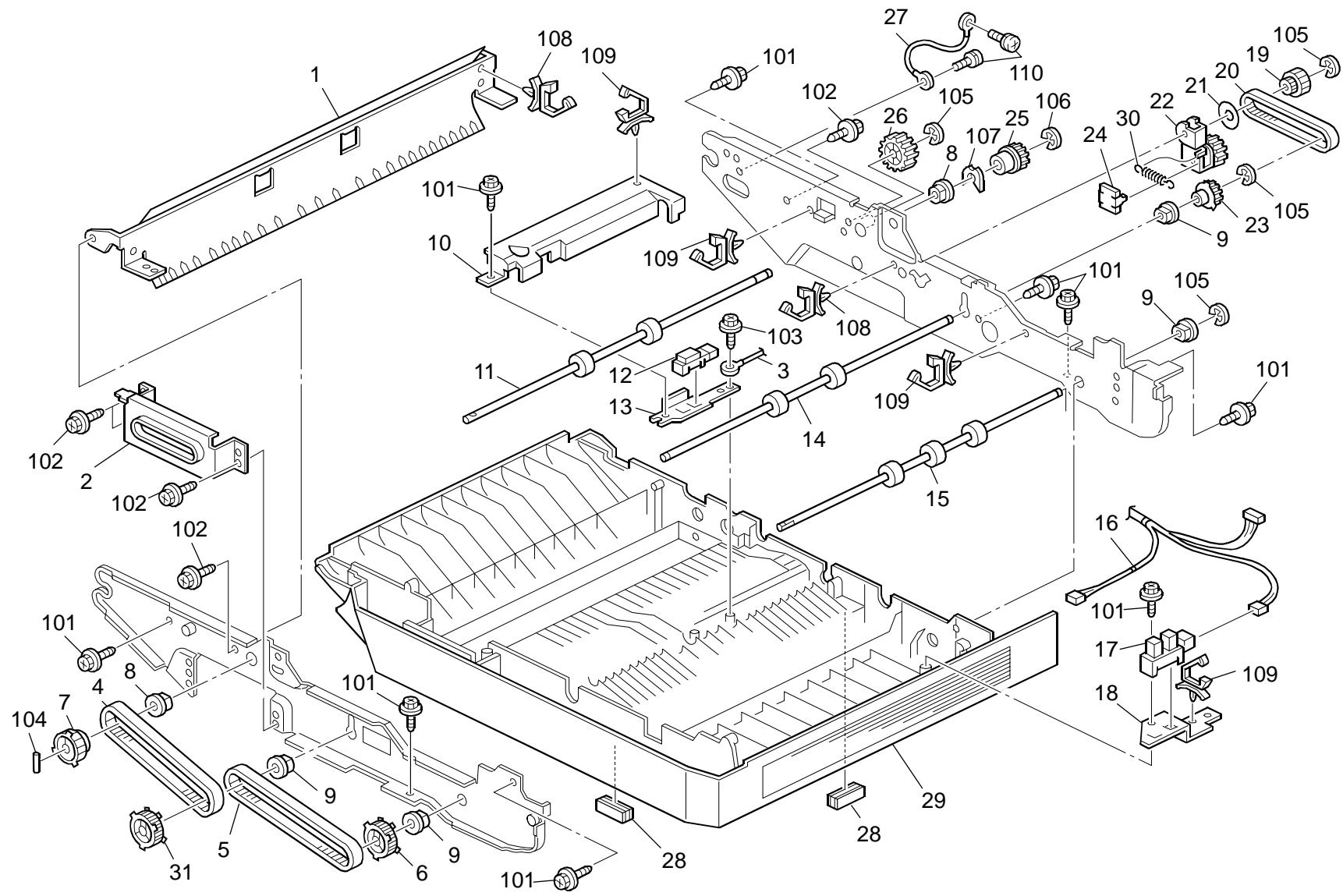


## 24.Duplex Unit 1 (B230/B237)

Index No.	Part No.	Description	Q'ty Per Assembly
1	AF02 0646	Vertical Transport Roller	2
2	G060 2652	Bushing - M4	4
3	B223 2676	Spring - 11n	4
4	B223 2675	Guide Plate - Vertical Transport	1
5	B223 2677	Sheet - Transport Sub-unit	1
6	AF02 0622	Roller:Driven - Dia16	1
7	AA08 0313	Driven Roller Bushing	2
8	AA06 3437	Compression Spring	2
9	B238 2761	Guide Plate	1
10	B238 4643	Duplex Guide Plate - Right Upper	1
11	B238 4645	Entrance Sensor	1
12	B238 4647	Set Sensor Lever	1
13	B238 4683	Pressure Release Arm - Rear	1
14	B238 4686	Arm Stopper Bracket	1
15	B238 4688	Torsion Spring	1
16	B238 4677	Stopper Arm	1
17	B238 4687	Torsion Spring	1
18	B238 4679	Stopper Link	1
19	B238 4633	Lever - Duplex	1
20	B238 4635	Compression Spring - Lever Duplex	1
21	B238 4646	Inner Cover:Duplex:Adhesion	1
22	B238 4682	Pressure Release Arm - Front	1
23	B238 4649	Decal:Warning (High Temperature):DU	1

Index No.	Part No.	Description	Q'ty Per Assembly
101	0450 3008N	Tapping Screw - M3x8	
102	0451 3006N	Tapping Screw - 3x6	
103	0720 0060E	Retaining Ring - M6	

## 25. Duplex Unit 2 (B230/B237)



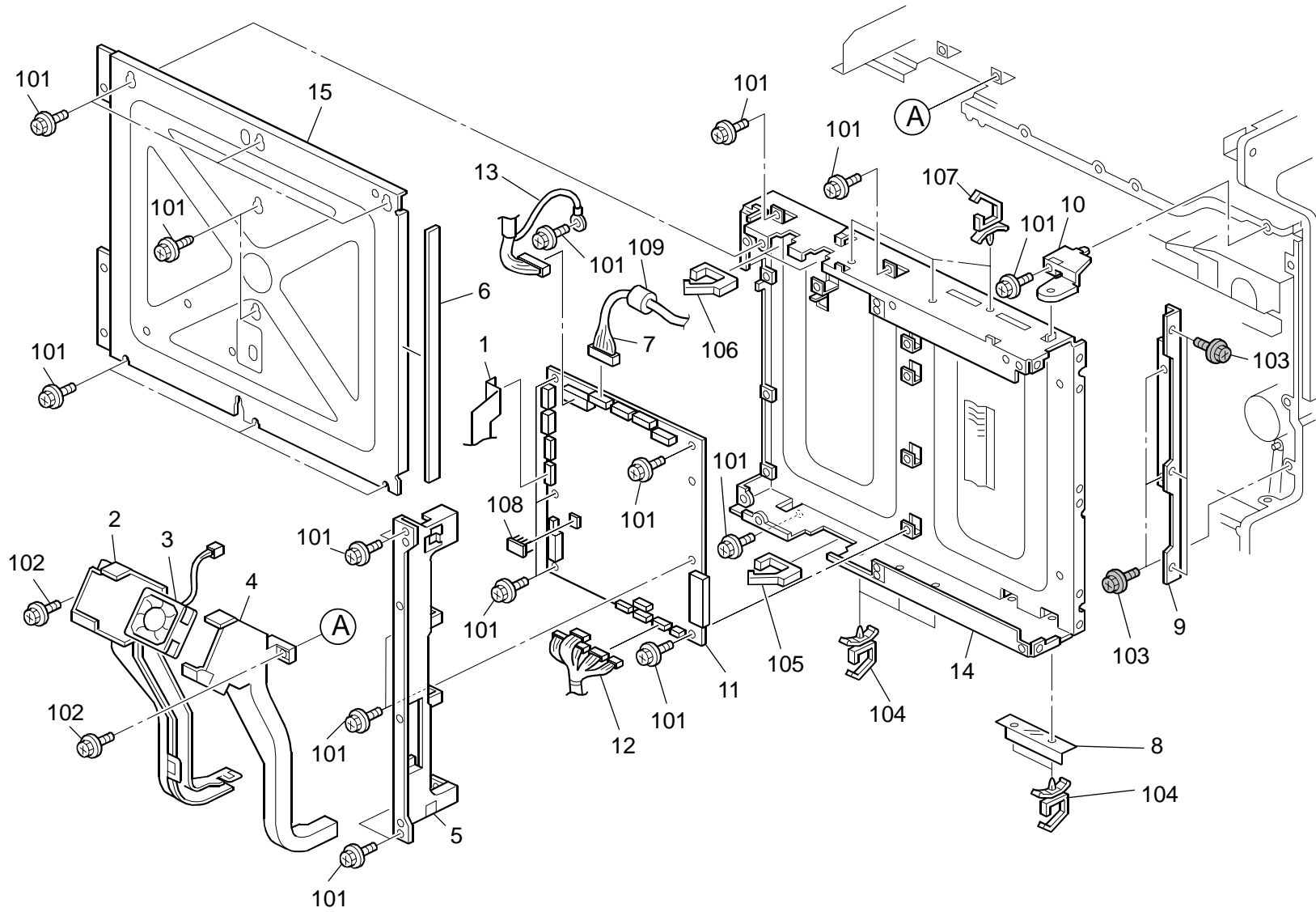
## 25.Duplex Unit 2 (B230/B237)

Index No.	Part No.	Description	Q'ty Per Assembly
1	B238 4637	Exit Guide Plate	1
2	B238 4628	Supporting Plate:Duplex	1
3	B238 5392	Harness - Ground Wire	1
4	B238 4716	Timing Belt - 30S2M340	1
5	B238 4715	Timing Belt - 30S2M360	1
6	B238 4704	Pulley - 28T	1
7	B238 4706	Pulley - 40T	1
8	AA08 2104	Bushing - 8x12x7	2
9	AA08 2101	Bushing - 6x10x6	4
10	B238 4653	Exit Sensor Case	1
11	B238 4713	Transport Roller - Duplex:Exit	1
12	AW01 0107	Paper Feed Sensor	1
13	B238 4654	Exit Sensor Bracket	1
14	B238 4712	Transport Roller - Middle	1
15	B238 4711	Transport Roller - Entrance	1
16	B238 5376	Harness - Duplex Unit	1
17	AW02 0145	Photointerruptor:Flat	1
18	B238 4650	Entrance Sensor Bracket	1
19	B238 4703	Gear Pulley - 25Z/25T	1
20	B238 4714	Timing Belt - 30S2M206	1
21	C408 1119	Timing Pulley - 24T	1
22	B238 4700	Coupling Arm	1
23	B238 4710	Pulley - 40T	1
24	B238 4708	Spacer	1
25	B238 4707	Gear - 16Z	1
26	G569 2822	Gear - Z30	1
27	B238 5377	Harness - Ground Wire	1
28	AG07 0514	Magnet Catch	2
29	B238 4610	Cover - Duplex	1
30	B238 4717	Tension Spring:Arm:Coupling	1
31	B238 4705	Pulley - 40T	1

Index No.	Part No.	Description	Q'ty Per Assembly
101	0450 3008N	Tapping Screw - M3x8	
102	0451 3006N	Tapping Screw - 3x6	
103	0450 3010N	Tapping Screw - M3x10	
104	0633 0120G	Parallel Pin - 3x12	
105	0720 0040E	Retaining Ring - M4	
106	0720 0060E	Retaining Ring - M6	
107	0805 0088	Retaining Ring - M6	
108	1105 0534	Clamp	
109	1105 0511	Harness Clamp - LWS-0306ZC	
110	0801 0149	Philips Pan Head Screw - M4x6	



## 26.Electrical Section 1 (B230/B237)

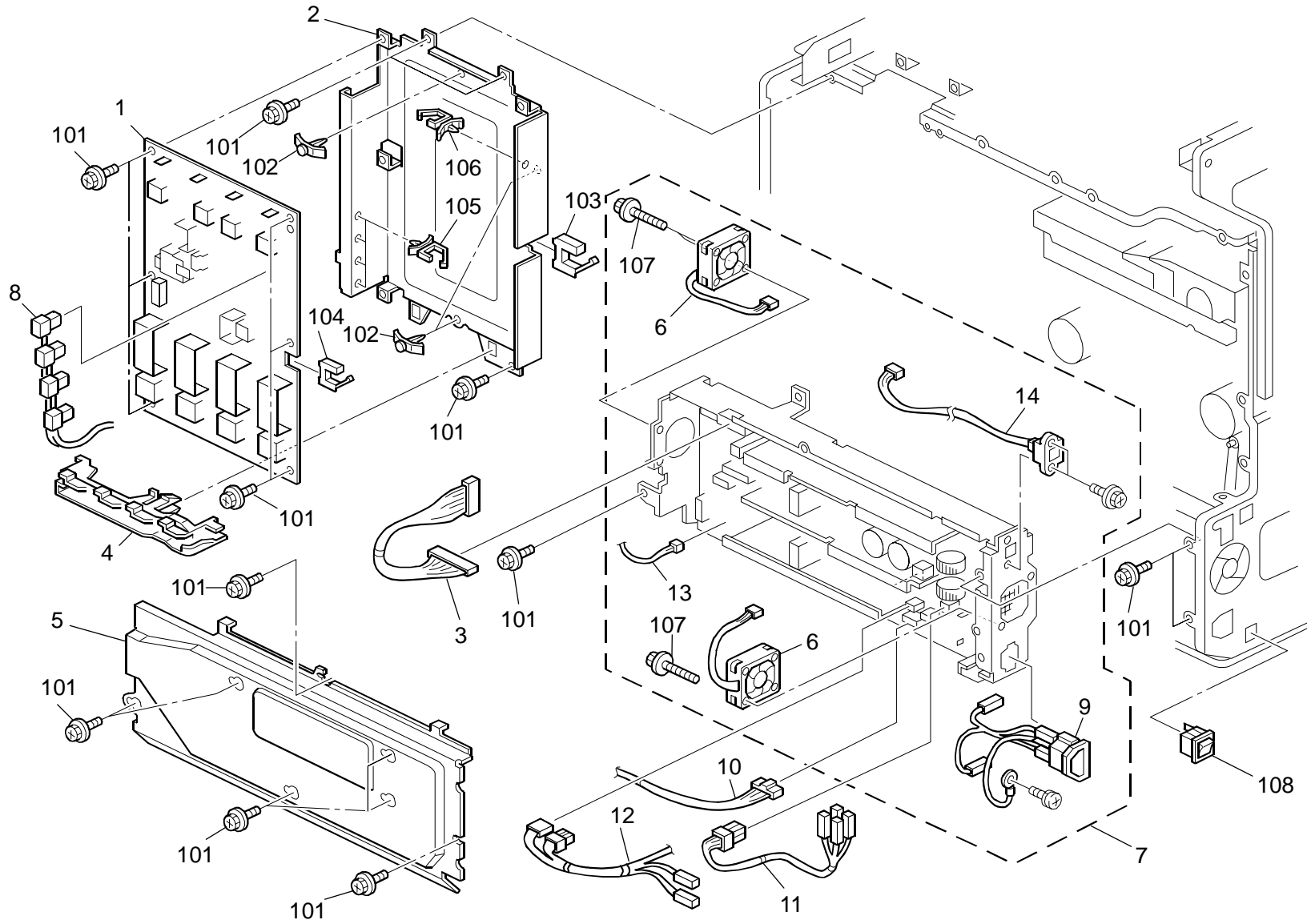


## 26.Electrical Section 1 (B230/B237)

Index No.	Part No.	Description	Q'ty Per Assembly
1	B238 5304	Harness - IOB BICU	1
2	B238 1136	Duct - Tube 1	1
3	AX64 0170	Fan Motor - Mm60 DC24V	1
4	B238 1137	Duct - Tube 2	1
5	B238 5853	Mother Board Bracket	1
6	B238 5855	Gasket	1
7	B238 5373	Harness - Operation Panel	1
8	B238 5856	Harness Sheet	1
9	B238 1084	Application Rack Bracket	1
10	B238 5859	Hinge Bracket - Upper	1
11	B238 5100	PCB:BICU:AT-C1:Ass'y	1
12	B238 5328	Harness - BICU Imaging Unit	1
13	B238 5345	Scanner Interface Cable	1
14	B238 5851	Base:Rack:Application:Peen	1
15	B238 5854	Cover:Rack:Application:Ass'y	1

Index No.	Part No.	Description	Q'ty Per Assembly
101	0451 3006N	Tapping Screw - 3x6	
102	0360 3006N	Screw - M3X6	
103	0454 3006Q	Tapping Screw - M3x6	
104	1105 0508	Harness Clamp - LWS-0711	
105	1105 0521	Clamp - LES-1017	
106	1105 0518	Edge Saddle - LES-1010	
107	1105 0516	Clamp	
108	1407 6362	EEPROM:BR24I64-W	
109	1607 1663	Ferrite Core:RFC-4	

## 27.Electrical Section 2 (B230/B237)

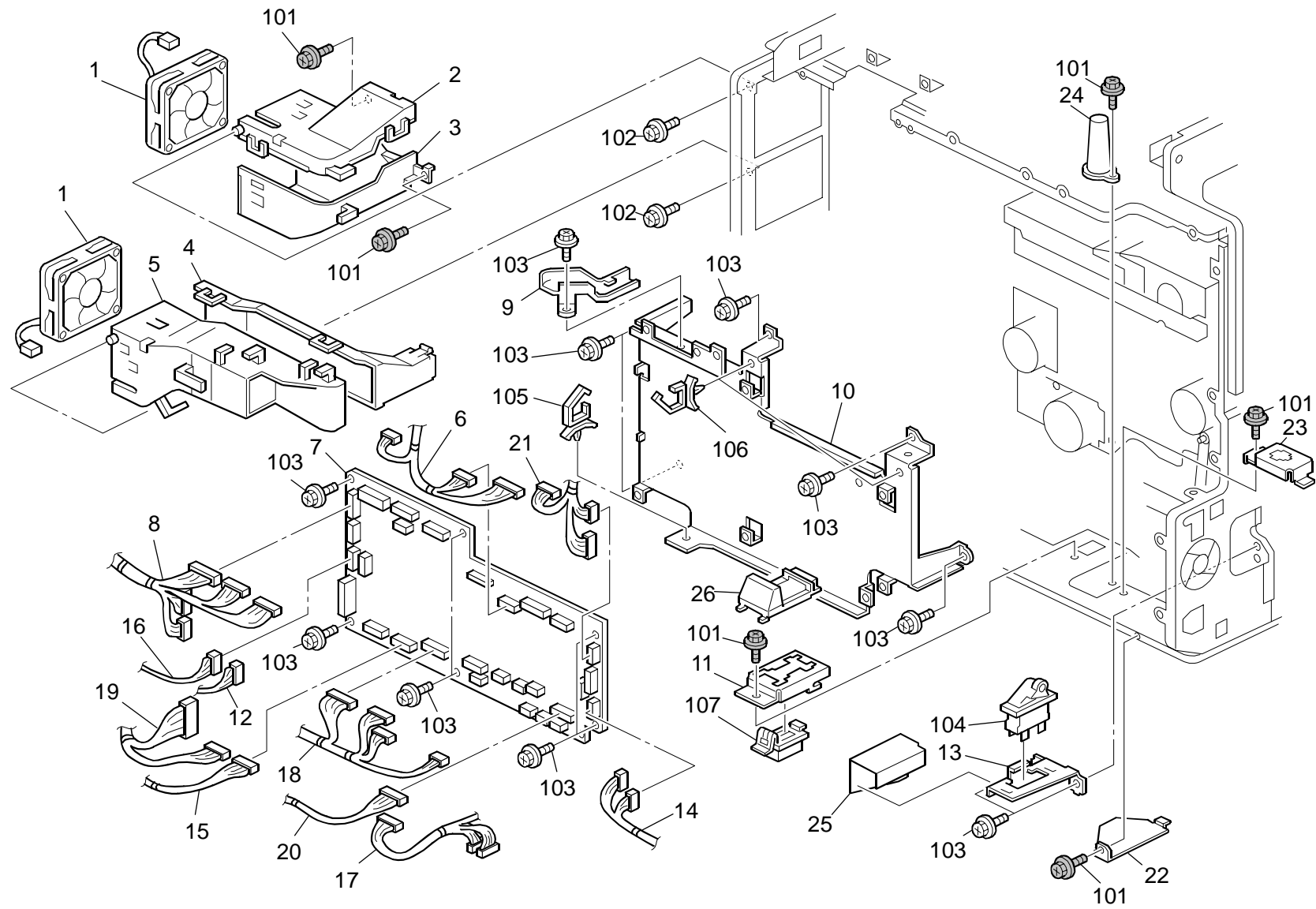


## 27.Electrical Section 2 (B230/B237)

Index No.	Part No.	Description	Q'ty Per Assembly
1	AZ32 0167	Power Pack:CBTTS	1
2	B238 5830	Power Pack Bracket	1
3	B238 5323	Harness - BICU Power Source	1
4	B238 5831	Harness Clamp	1
5	B238 5812	Cover - Power Supply Unit	1
6	GX64 0027	Fan Motor - DC24V 1.92W	2
7	AZ24 0105	Power Supply Unit:Athena:EU/AA	1
7	AZ24 0114	Power Supply Unit:Athena:DOM/NA	1
8	B238 5382	Harness - High Voltage Line B	1
9	B238 5341	Inlet	1
10	B237 5339	Harness:Dehumidifier:Scanner:Exp	1
11	B238 5332	Harness - Power Supply Unit	1
12	B237 5337	Harness - Dehumidifier	1
13	B238 5342	Harness:Power Supply Unit:Relay	1
14	B238 5335	Harness:Power Supply Unit:Finisher	1

Index No.	Part No.	Description	Q'ty Per Assembly
101	0451 3006N	Tapping Screw - 3x6	
102	1105 0648	Spacer:Kgps-8rfv0	
103	1105 0521	Clamp - LES-1017	
104	1105 0518	Edge Saddle - LES-1010	
105	1105 0516	Clamp	
106	1105 0487	Harness Clamp	
107	0451 3020N	Tapping Screw:3x20	
108	1204 2570	Rocker Switch:Sddje13200	

## 28.Electrical Section 3 (B230/B237)

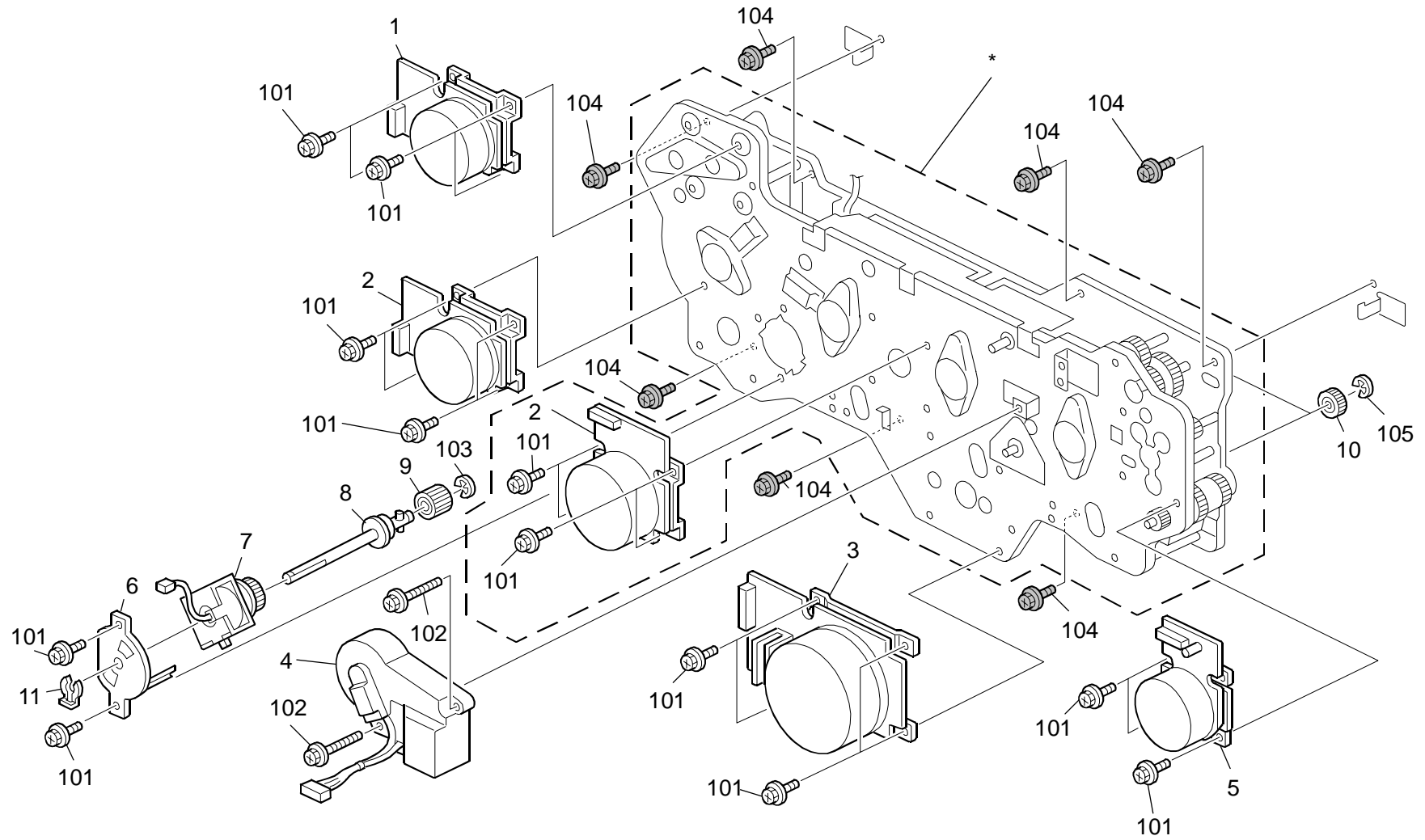


## 28.Electrical Section 3 (B230/B237)

Index No.	Part No.	Description	Q'ty Per Assembly
1	GX64 0020	Fan Motor - DC24V	2
2	B238 1126	Fusing Duct - 1	1
3	B238 1127	Fusing Duct - 2	1
4	B238 1121	Duct - Drive 1	1
5	B238 1122	Duct - Drive 2	1
6	B238 5305	Harness - IOB Drum Motor	1
7	B238 5120	PCB IOB	1
8	B238 5300	Harness - Main	1
9	B238 5842	Harness Clamp	1
10	B238 5841	IOB Bracket	1
11	B223 1065	Connector Bracket	1
12	B238 5318	Harness - IOB Duplex Unit	1
13	B238 5827	Main Switch Bracket	1
14	B238 5311	Harness - IOB Skew-motor	1
15	B238 5314	Harness - IOB Paper Feed Unit	1
16	B238 5315	Harness - Lift Motor	1
17	B238 5317	Harness - IOB Bank	1
18	B238 5319	Harness - Fusing	1
19	B238 5322	Harness - IOB Power Source	1
20	B238 5307	Harness - IOB PCU	1
21	B238 5308	Harness - IOB Toner Supply	1
22	B223 5849	Cover:Connector:Heater	1
23	B223 5848	Bracket:Base:Connector	1
24	B238 1089	Cover - Positioning Pin	1
25	B238 5828	Main Switch Sheet	1
26	B238 1088	Cover - Connector	1

Index No.	Part No.	Description	Q'ty Per Assembly
101	0454 3006Q	Tapping Screw - M3x6	
102	0450 3010N	Tapping Screw - M3x10	
103	0451 3006N	Tapping Screw - 3x6	
104	1204 2704	Switch - RS1A-AB11	
105	1105 0489	Harness Clamp - LWS 1316	
106	1105 0487	Harness Clamp	
107	1102 8534	Connector - QR/P17-14S-B	

## 29. Drive Section 1 (B230/B237)



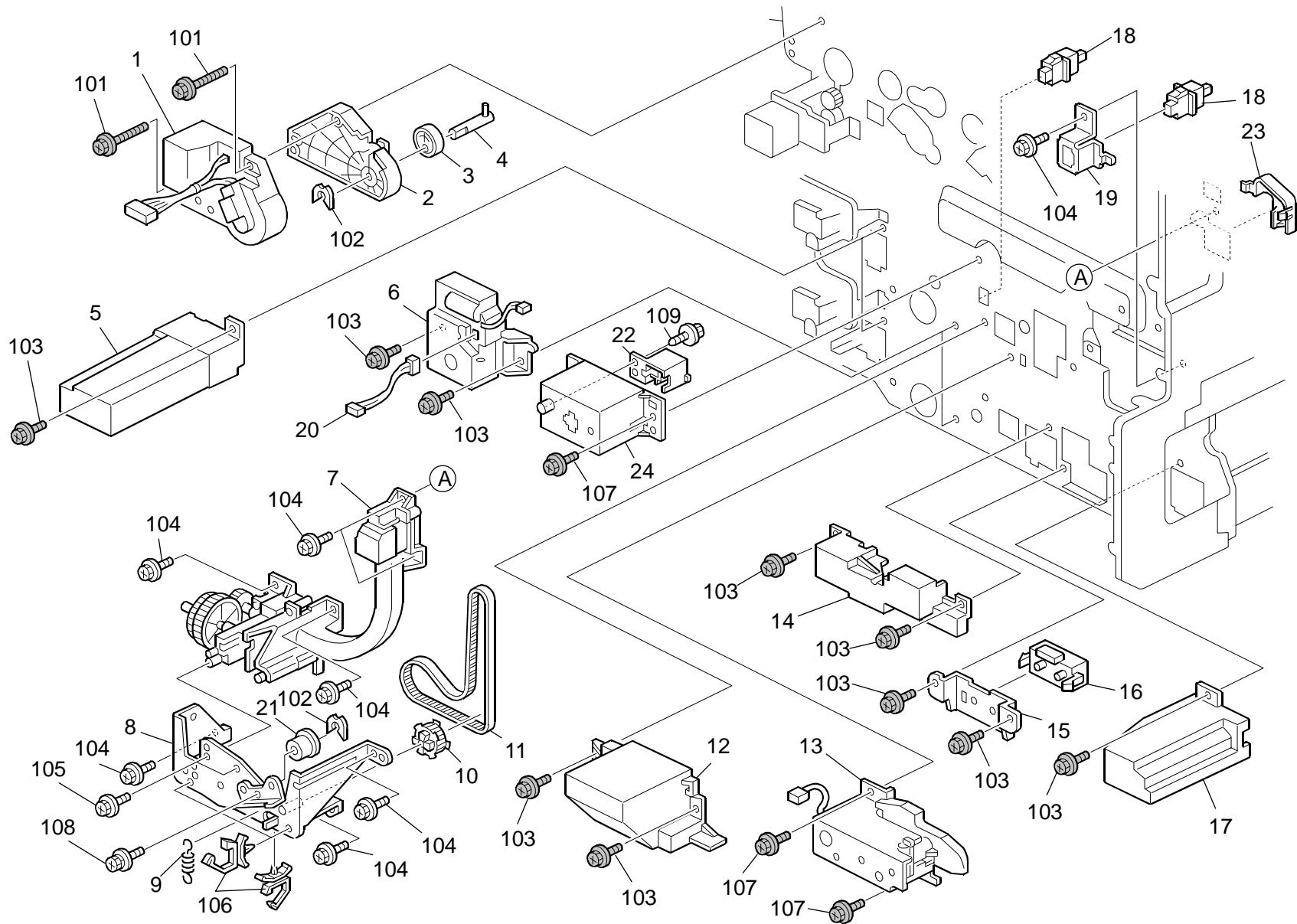
## 29. Drive Section 1 (B230/B237)

Index No.	Part No.	Description	Q'ty Per Assembly
*	B237 1041	Drive Unit	1
1	AX05 0249	Brushless Motor DC24V8W	1
2	AX06 0310	Brushless Motor DC24V24W	2
3	AX06 0311	Brushless Motor DC24V40W	1
4	B223 1199	DC Motor 24V	1
5	GX06 0015	Brushless Motor:Drive:Paper Feed	1
6	B238 1219	Holder:Magnetic Clutch:Development	1
7	AB04 4006	Magnetic Spring Clutch - 0.98n.m	1
8	B238 1170	Development Drive Shaft	1
9	AB01 0367	Gear - 23Z	1
10	AB01 0368	Gear - 45Z	4
11	5447 2681	Snap Ring	1

Index No.	Part No.	Description	Q'ty Per Assembly
101	0360 3006N	Screw - M3X6	
102	0360 3016N	Screw - M3X16	
103	0720 0040E	Retaining Ring - M4	
104	0454 3006Q	Tapping Screw - M3x6	
105	0451 3006N	Tapping Screw - 3x6	
106	0720 0060E	Retaining Ring - M6	



### 30.Drive Section 2 (B230/B237)

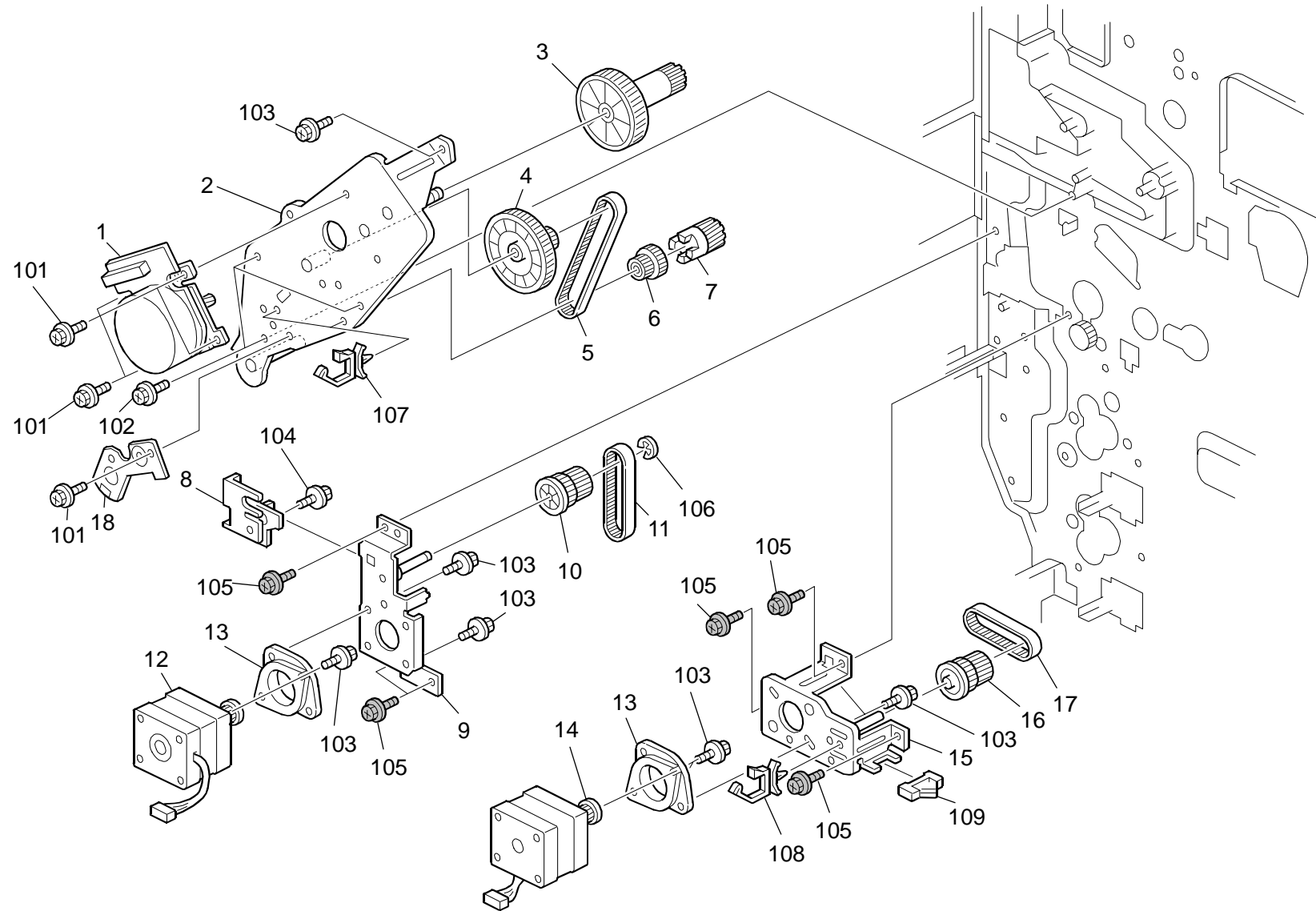


### 30. Drive Section 2 (B230/B237)

Index No.	Part No.	Description	Q'ty Per Assembly
1	B223 1199	DC Motor 24V	1
2	B238 1223	Holder	1
3	B238 1226	Cam	1
4	B238 1225	Shaft	1
5	B238 2541	Tray Cover - Right	2
6	AX04 0154	DC Motor 24V	2
7	B223 6481	Rear Pipe Ass'y	1
8	B238 1215	Drive Unit	1
9	AA06 0722	Tension Spring	1
10	AB03 0783	Pulley - 34T	1
11	AA04 3583	Timing Belt - S2M460	1
12	B238 2544	Tray Cover - Middle	1
13	B223 2730	Paper Tray Stopper Ass'y	1
14	B223 2722	Cover	1
15	B223 2721	Bracket:Push Switch	1
16	AW50 0038	Push Switch:Paper Size Sensor	1
17	B238 2543	Cover - Tray Left	1
18	AW50 0023	Push Switch	2
19	B223 6507	Set Sensor Bracket	1
20	B238 5325	Harness - Paper Volume Sensor	2
21	AB03 0551	Pulley:Idler:Fusing	1
22	B238 1143	Guide:Connector:Heater:Imaging Unit	1
23	B238 1229	Cover - Separation Plate	1
24	B238 1142	Bracket:Connector:Heater:Imaging Un	1

Index No.	Part No.	Description	Q'ty Per Assembly
101	0802 5304	Tapping Screw - M3x30	
102	0805 0089	Retaining Ring - M4	
103	0454 3008Q	Tapping Screw:3x8	
104	0451 3006N	Tapping Screw - 3x6	
105	0450 3008N	Tapping Screw - M3x8	
106	1105 0516	Clamp	
107	0454 3006Q	Tapping Screw - M3x6	
108	0801 0231	Hexagonal Head Bolt W/Washer:M3x6	
109	0451 3010N	Tapping Screw:3x10	

### 31. Drive Section 3 (B230/B237)

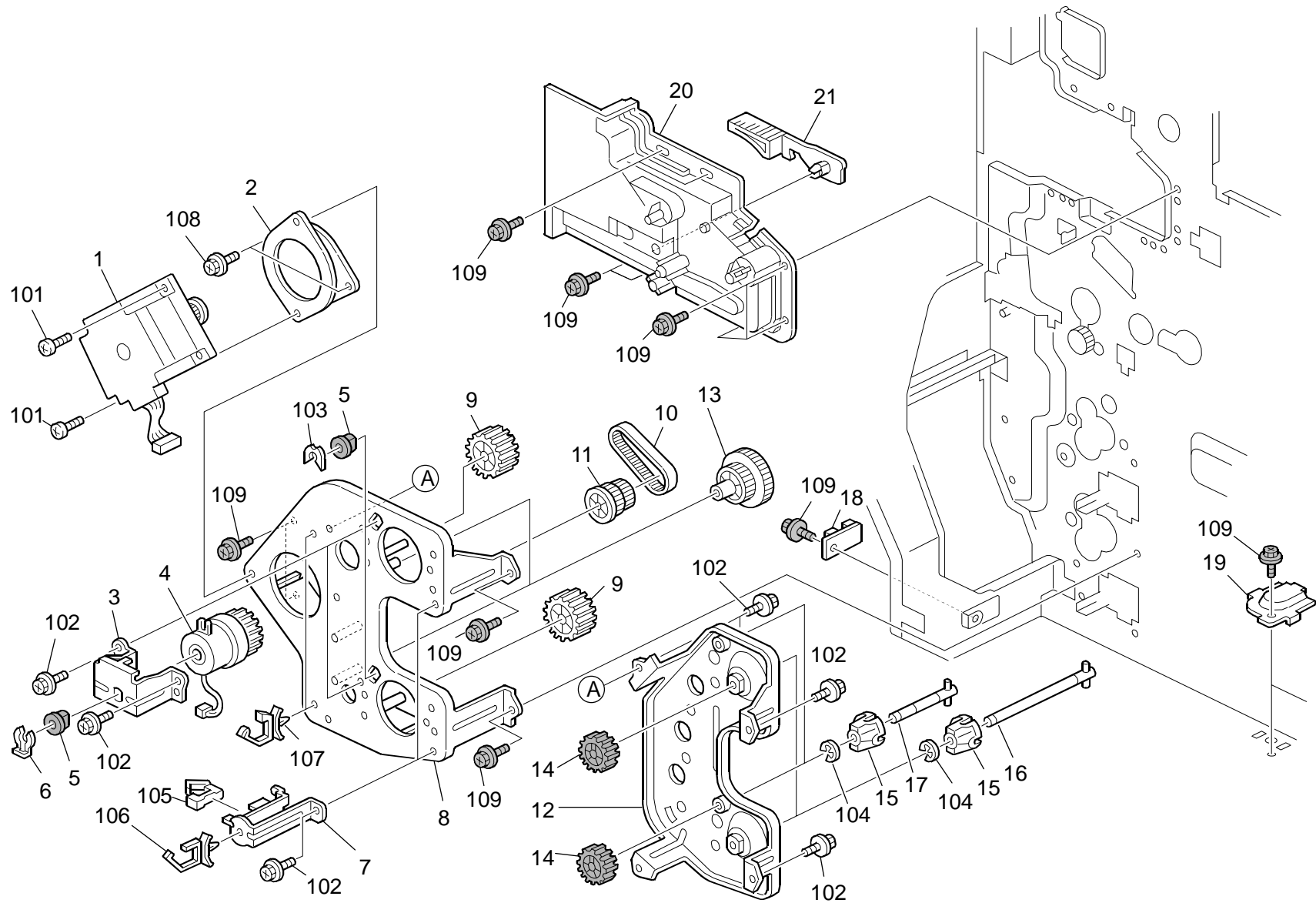


### 31. Drive Section 3 (B230/B237)

Index No.	Part No.	Description	Q'ty Per Assembly
1	GX06 0015	Brushless Motor:Drive:Paper Feed	1
2	B238 1213	Fusing Exit Unit Bracket	1
3	AB01 7716	Gear - 23Z/91Z	1
4	AB01 7714	Gear - 120Z/23T	1
5	AA04 3317	Timing Belt - 50S3M258	1
6	AB03 3100	Pulley - 26T	1
7	AB01 7715	Gear - 21Z	1
8	B238 4754	Arm Guide Plate	1
9	B238 4750	Stepper Motor Bracket	1
10	B238 4753	Gear - 22Z/45T	1
11	B238 4755	Timing Belt - B40S2M166	1
12	B238 4720	Stepper Motor:Ass'y	1
13	A232 4666	Cushion - Stepper Motor	2
14	B223 1350	Stepper Motor DC5.06V	1
15	B238 1220	Drive Unit Bracket	1
16	AB03 0744	Timing Pulley - 27Z/40T	1
17	AA04 3601	Timing Belt - B40S2M118	1
18	B238 1234	Cover:Bracket:Fusing Exit Section	1

Index No.	Part No.	Description	Q'ty Per Assembly
101	0360 3006N	Screw - M3X6	
102	0450 3012N	Tapping Screw:3x12	
103	0451 3006N	Tapping Screw - 3x6	
104	0451 3008N	Tapping Screw - M3x8	
105	0454 3006Q	Tapping Screw - M3x6	
106	0720 0040E	Retaining Ring - M4	
107	1105 0516	Clamp	
108	1105 0511	Harness Clamp - LWS-0306ZC	
109	1105 0612	Clamp:Eds-0704I-v0	

## 32. Drive Section 4 (B230/B237)

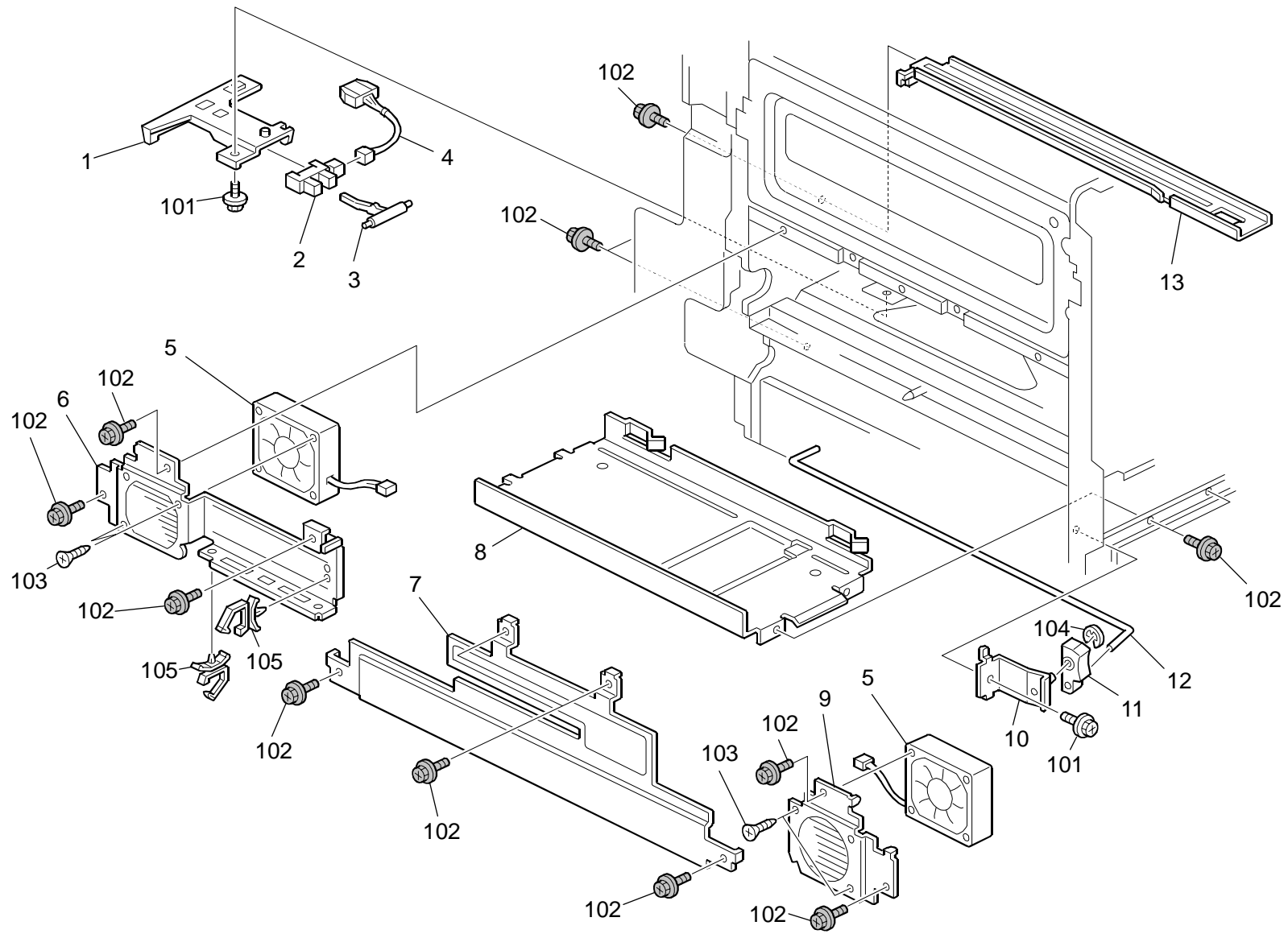


### 32. Drive Section 4 (B230/B237)

Index No.	Part No.	Description	Q'ty Per Assembly
1	B223 1188	Stepper Motor DC24V	1
2	AA16 1164	Cushion:Stepper Motor	1
3	B223 1187	Magnetic Clutch Bracket	2
4	AX20 0289	Magnetic Clutch - 32z	2
5	GA08 0002	Bushing - 6mm	4
6	5447 2681	Snap Ring	2
7	B238 1228	Harness Guide Bracket	2
8	B238 1211	Paper Feed Unit Bracket	1
9	AB01 1258	Gear - 38Z	2
10	AA04 3318	Timing Belt - 40S3M144	1
11	AB03 0781	Timing Pulley - 28Z/30T	1
12	B238 1206	Drive Unit Drum Stay	1
13	AB01 7699	Gear - 33Z/44Z	2
14	AB01 1259	Gear - 32Z	2
15	B223 1186	Drive Joint	4
16	B223 1189	Feed Drive Shaft	2
17	B223 1183	Grip Shaft	2
18	AW14 0012	Temperature & Humidity Sensor	1
19	B238 1066	Rubber Foot Cover	2
20	B238 1063	Fusing Unit Guide Plate - Rear	1
21	G052 4697	Left Fusing Lock Lever	1

Index No.	Part No.	Description	Q'ty Per Assembly
101	0434 0100N	Tapping Screw - 4x10	
102	0451 3006N	Tapping Screw - 3x6	
103	0805 0089	Retaining Ring - M4	
104	0720 0040E	Retaining Ring - M4	
105	1105 0612	Clamp:Eds-0704I-v0	
106	1105 0488	Harness Clamp	
107	1105 0516	Clamp	
108	0451 4008N	Tapping Screw:4x8	
109	0454 3006Q	Tapping Screw - M3x6	

### 33.Frame Section 1 (B230/B237)



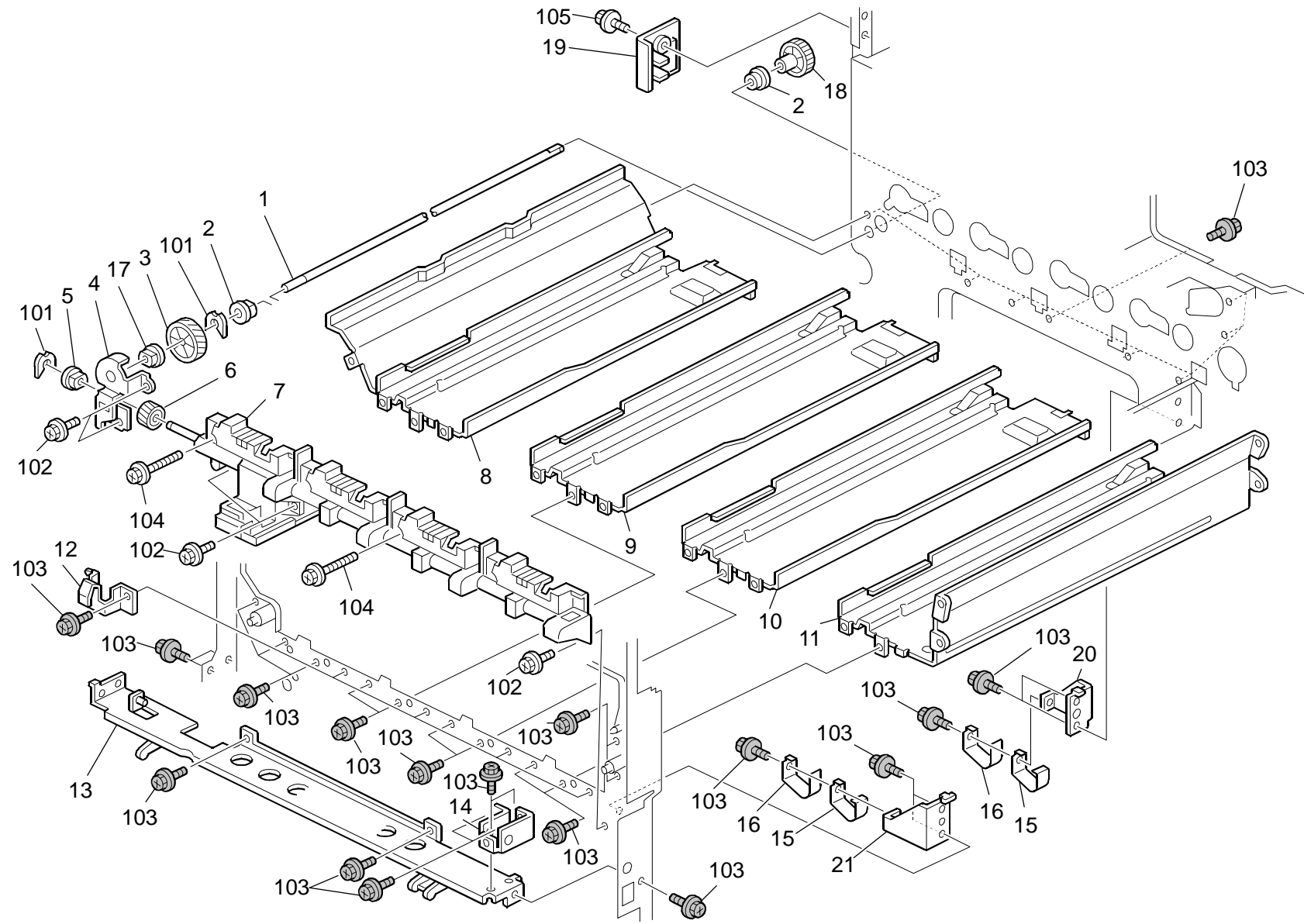
### 33.Frame Section 1 (B230/B237)

Index No.	Part No.	Description	Q'ty Per Assembly
1	B223 6502	Used Toner Sensor Bracket	1
2	AW02 0160	Paper Feed Sensor	1
3	B223 6503	Used Toner Sensor Feeler	1
4	B238 5313	Harness - Used Toner Sensor	1
5	B223 1332	Fan Motor - Mm60 DC24V	2
6	B238 1132	Fan Motor Bracket - Rear	1
7	B238 1138	Harness Shadeing Plate	1
8	B223 6496	Collection Bottle Rail	1
9	B238 1131	Fan Motor Bracket - Front	1
10	B238 5821	Bracket - Main Switch Handle	1
11	B238 5824	Slide Switch Cover	1
12	B238 5825	Power Source Switch Link	1
13	B223 6198	Cleaning Unit Rail	1

Index No.	Part No.	Description	Q'ty Per Assembly
101	0451 3006N	Tapping Screw - 3x6	
102	0454 3006Q	Tapping Screw - M3x6	
103	0802 5303	Tapping Screw - M4x10	
104	0720 0030E	Retaining Ring - M3	
105	1105 0487	Harness Clamp	



### 34.Frame Section 2 (B230/B237)

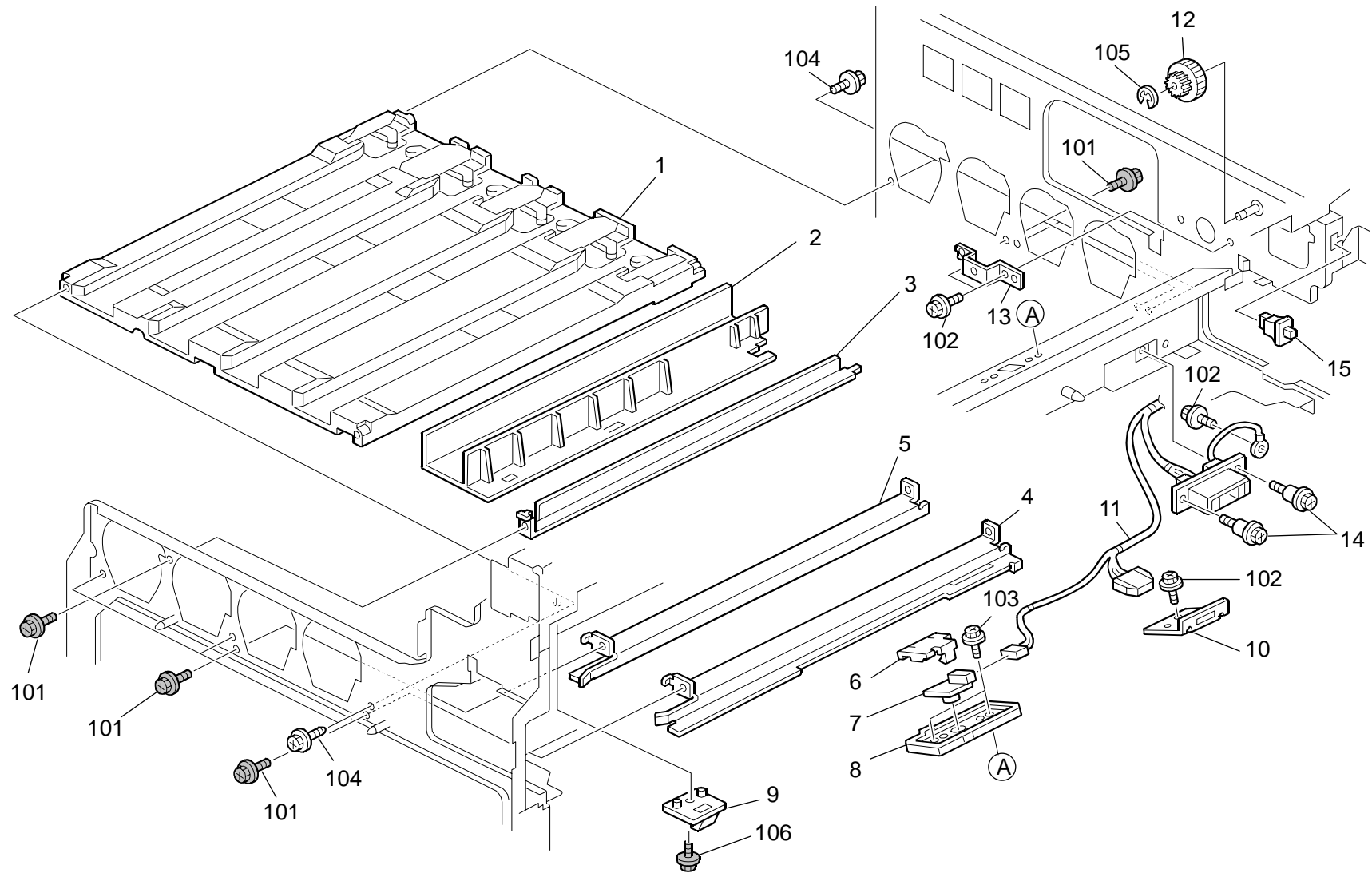


### 34.Frame Section 2 (B230/B237)

Index No.	Part No.	Description	Q'ty Per Assembly
1	B223 6473	Transport Screw Shaft	1
2	B223 6476	Bushing - Dia5	2
3	B223 6472	Gear - 21Z	1
4	B223 6471	Transport Screw Bracket	1
5	B223 6464	Bushing - 6x10x6	1
6	B223 6463	Gear - 20Z	1
7	B223 6451	Pipe:Front:Ass'y	1
8	B223 1087	Separation Plate - Upper Left	1
9	B223 1084	Separation Plate - Upper Middle Lef	1
10	B223 1080	Separation Plate - Upper Middle Rig	1
11	B223 1076	Separation Plate - Upper Right	1
12	B223 6467	Lever Bracket	4
13	B238 1110	Frame:Machine or Copier:Front:Peen	1
14	B238 1115	Supporting Plate:Grip:Right Front	1
15	B223 1898	Imaging Unit Plate - Inner	2
16	B223 1899	Imaging Unit Plate - Outer	2
17	B223 6475	Bushing - 5x 10x2.5	1
18	B223 6474	Gear - 29Z	1
19	B238 1385	Cover - Left	1
20	B223 1897	Imaging Unit Plate - Rear	1
21	B223 1896	Imaging Unit Plate - Front	1

Index No.	Part No.	Description	Q'ty Per Assembly
101	0805 0089	Retaining Ring - M4	
102	0451 3006N	Tapping Screw - 3x6	
103	0454 3006Q	Tapping Screw - M3x6	
104	0451 3016N	Tapping Screw - 3x16	
105	0451 3008N	Tapping Screw - M3x8	

### 35.Frame Section 3 (B230/B237)

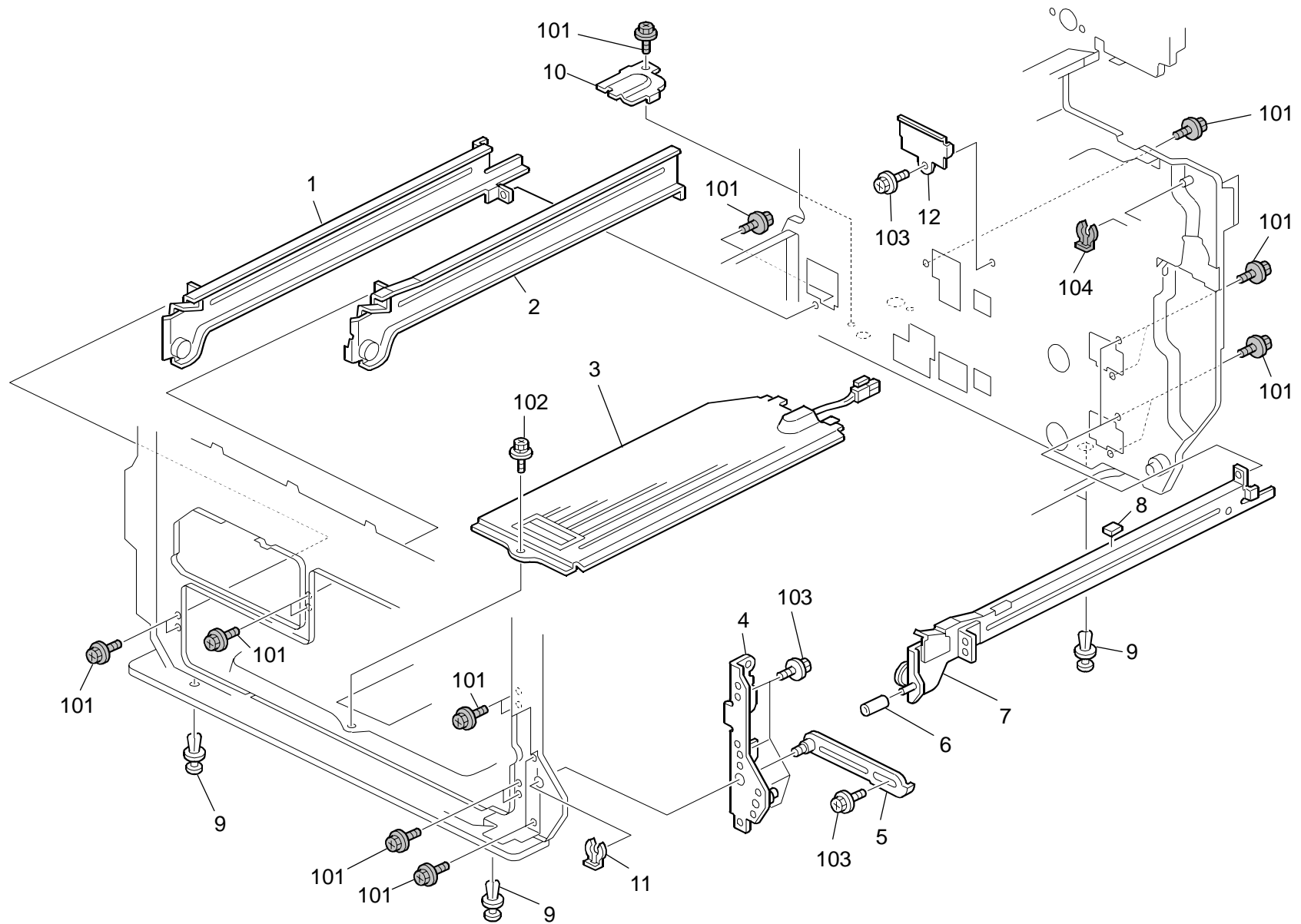


### 35.Frame Section 3 (B230/B237)

Index No.	Part No.	Description	Q'ty Per Assembly
1	B223 3305	Toner Cartridge Unit	1
2	B238 1123	Fusing Duct - Left	1
3	B223 3328	Toner Cartridge Guide	1
4	B223 6146	Rail:Right:Intermediate Transfer	1
5	B223 6145	Rail:Left:Intermediate Transfer	1
6	B238 4366	Lens Cover	1
7	AW10 0106	Thermopile	1
8	B238 4365	Lens Holder	1
9	B039 1073	Right Door Stopper	1
10	B238 4367	Sensor Bracket	1
11	B238 5319	Harness - Fusing	1
12	B238 4932	Gear - 18Z/50Z	1
13	B238 1222	Support Bracket	1
14	AA14 3555	Screw - M3X5	2
15	G020 5626	Push Switch	1

Index No.	Part No.	Description	Q'ty Per Assembly
101	0454 3008Q	Tapping Screw:3x8	
102	0451 3006N	Tapping Screw - 3x6	
103	0804 6123	Hexagonal Bolt:W/Washer:M3x8	
104	0450 3008N	Tapping Screw - M3x8	
105	0720 0040E	Retaining Ring - M4	
106	0454 3006Q	Tapping Screw - M3x6	

### 36.Frame Section 4 (B230/B237)

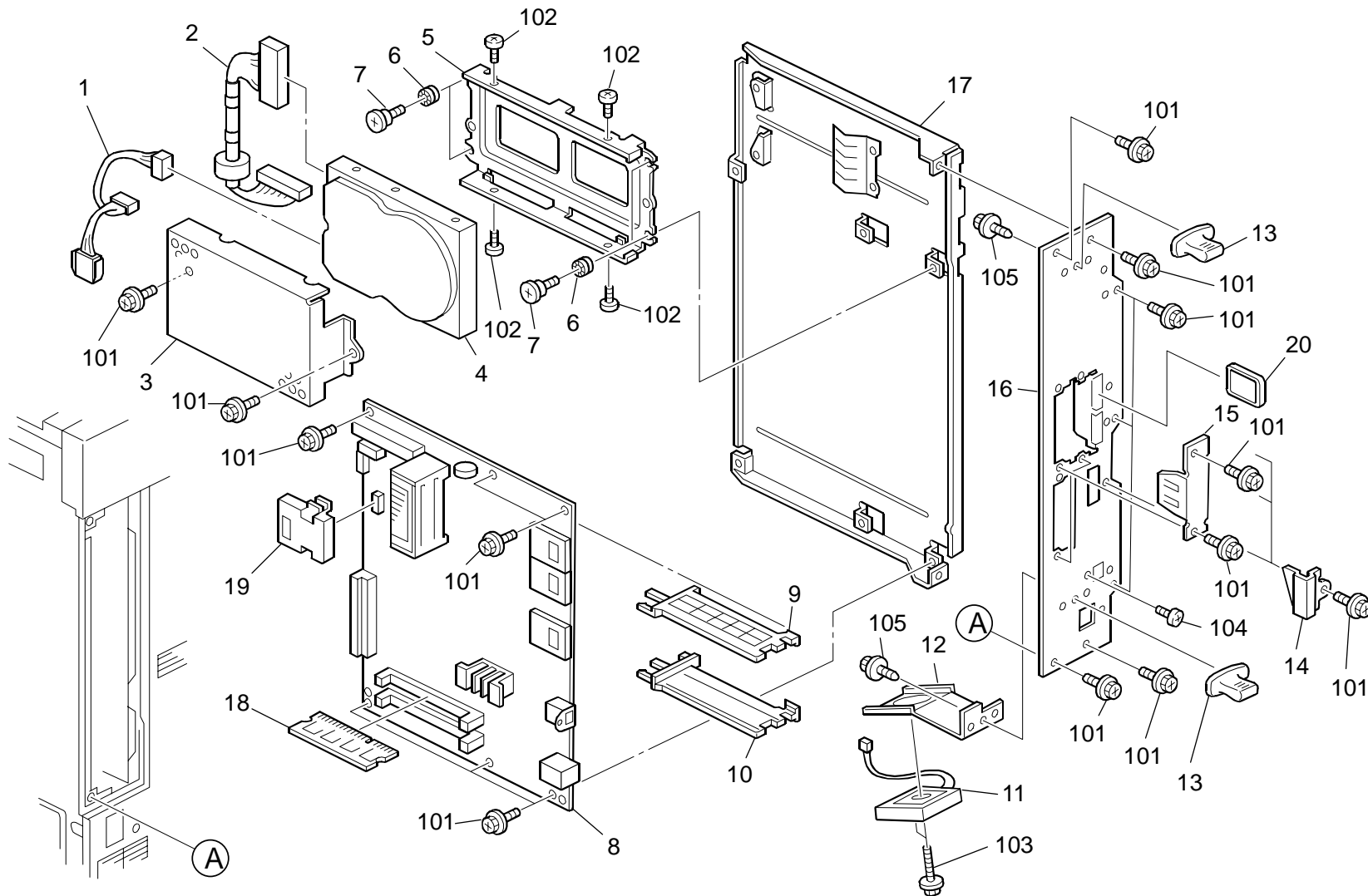


### 36.Frame Section 4 (B230/B237)

Index No.	Part No.	Description	Q'ty Per Assembly
1	B223 2710	Supporter - Left No.2	1
2	B223 2705	Supporter - Left No.1	1
3	B223 2703	Heat Sink:Heater:EU	1
4	B238 1056	Bracket:Paper Feed Unit:Peen	1
5	B238 4669	Duplex Link	1
6	B223 2714	Positioning Cap - Short	2
7	B223 2715	Supporter - Right	2
8	AA16 1163	Cushion	2
9	B101 1097	Rubber Foot:H5	4
10	B238 1066	Rubber Foot Cover	1
11	5215 2621	Snap Ring - M6	1
12	B238 1067	Cover:Connector:Heater:Imaging Unit	1

Index No.	Part No.	Description	Q'ty Per Assembly
101	0454 3006Q	Tapping Screw - M3x6	
102	0802 5299	Tapping Screw - M3x8	
103	0451 3006N	Tapping Screw - 3x6	
104	0805 0097	Ring Separator	

### 37.Controller (B230/B237)



### 37.Controller (B230/B237)

Index No.	Part No.	Description	Q'ty Per Assembly
1	B237 5726	Harness - HDD Power Source	1
2	B238 5396	Harness - HDD	1
3	B238 5883	HDD Cover	1
4	B514 5990	HDD:Hitachi:40GB:Path:Rohs	1
5	B238 5882	HDD Bracket	1
6	AA16 1125	Rubber Cushion	4
7	AA14 3548	Screw:M3x4.2	4
8	B231 5781	Controller Board:AT-C1A	1
8	B238 5781	Controller Board:AT-C1B	1
9	B622 5831	Rail:Right	1
10	B622 5832	Rail:Left	1
11	B237 5721	Fan Motor - Mm42x10.5 DC5V	1
12	B238 5892	Fan Motor Bracket	1
13	B238 5885	Control Board Panel Grip	2
14	B238 5894	Panel:SD-Card	1
15	B238 5887	Interface Panel	3
16	B238 5884	Control Board Panel	1
17	B238 5880	Bracket:Control Board	1
18	G108 5020	PCB:DDR-DIMM:512MB	1
19	B230 9590	NVRAM - Zero Counter	1
20	B237 5617	SD-Card:AT-C1:P/S:Exp:Ass'y	1

Index No.	Part No.	Description	Q'ty Per Assembly
101	0451 3006N	Tapping Screw - 3x6	
102	0801 0226	Screw:Unc:#6-32	
103	0451 3016N	Tapping Screw - 3x16	
104	0353 0060N	Bind Screw - M3x6	
105	0450 3008N	Tapping Screw - M3x8	



### 38.Controller Board (B230/B237)

#### BAT

SYMBOL NO.	INDEX NO.
BAT1	113

#### CAPACITOR

SYMBOL NO.	INDEX NO.
C1	168
C2	185
C3	187
C4	185
C5	185
C6	187
C7	185
C8	202
---	---
C10	195

SYMBOL NO.	INDEX NO.
C11	195
C12	195
C13	195
C14	195
C15	187
C16	187
C17	195
C18	195
---	---
C20	195

SYMBOL NO.	INDEX NO.
C21	195
C22	195
C23	206
C24	195
C25	195
C26	195
C27	195
C28	195
C29	195
C30	195

SYMBOL NO.	INDEX NO.
C31	195
C32	195
C33	195
C34	195
C35	195
C36	195
C37	195
C38	195
C39	195
C40	195

SYMBOL NO.	INDEX NO.
C41	169
C42	195
C43	195
C44	195
C45	195
C46	195
C47	195
C48	195
C49	195
C50	195

SYMBOL NO.	INDEX NO.
C51	195
C52	195
C53	195
C54	195
C55	195
C56	195
C57	195
C58	195
C59	187
C60	167

#### CAPACITOR

SYMBOL NO.	INDEX NO.
C61	185
---	---
C63	167
C64	167
C65	185
C66	187
---	---
C68	201
C69	201
C70	201

SYMBOL NO.	INDEX NO.
C71	201
C72	201
C73	187
C74	187
C75	184
C76	184
C77	184
C78	184
C79	188
C80	185

SYMBOL NO.	INDEX NO.
---	---
C82	188
C83	188
C84	188
C85	188
C86	184
C87	171
---	---
---	---
C90	185

SYMBOL NO.	INDEX NO.
C91	195
C92	185
C93	187
C94	175
C95	176
C96	206
C97	187
C98	185
C99	176
C100	206

SYMBOL NO.	INDEX NO.
C101	187
C102	202
C103	185
C104	191
C105	206
C106	180
C107	187
C108	190
C109	185
C110	184

SYMBOL NO.	INDEX NO.
C111	188
C112	188
C113	188
C114	188
C115	184
C116	184
C117	184
C118	188
C119	184
C120	184

SYMBOL NO.	INDEX NO.
C121	184
C122	188
C123	188
C124	188
C125	184
C126	188
C127	201
C128	201
C129	201
C130	201

### 38.Controller Board (B230/B237)

#### CAPACITOR

SYMBOL NO.	INDEX NO.	SYMBOL NO.	INDEX NO.	SYMBOL NO.	INDEX NO.	SYMBOL NO.	INDEX NO.	SYMBOL NO.	INDEX NO.	SYMBOL NO.	INDEX NO.	SYMBOL NO.	INDEX NO.
C131	201	C141	188	C151	192	C161	198	C171	206	C181	175	C191	206
C132	184	C142	184	C152	195	C162	196	C172	187	C182	175	C192	185
C133	188	C143	188	C153	188	C163	206	C173	185	C183	195	C193	179
C134	170	C144	196	C154	190	C164	199	C174	206	C184	174	C194	208
C135	188	C145	196	C155	195	C165	196	C175	206	C185	189	C195	186
C136	184	C146	183	C156	181	C166	196	C176	205	C186	205	C196	187
C137	169	C147	185	C157	187	C167	206	C177	206	C187	195	C197	187
C138	169	C148	196	---	---	C168	197	C178	207	C188	185	C198	185
C139	184	C149	177	---	---	C169	187	C179	183	C189	206	C199	200
C140	188	C150	177	C160	195	C170	206	C180	185	C190	206	C200	186

#### CAPACITOR

SYMBOL NO.	INDEX NO.	SYMBOL NO.	INDEX NO.	SYMBOL NO.	INDEX NO.	SYMBOL NO.	INDEX NO.	SYMBOL NO.	INDEX NO.	SYMBOL NO.	INDEX NO.	SYMBOL NO.	INDEX NO.
C201	180	C211	206	C221	195	C231	195	C241	195	C251	187	C261	195
C202	198	C212	206	---	---	C232	185	C242	187	C252	185	C262	210
C203	190	C213	169	---	---	C233	185	---	---	C253	187	C263	185
C204	187	C214	206	C224	195	C234	187	C244	185	C254	202	C264	194
C205	177	C215	178	C225	195	C235	185	C245	195	C255	187	C265	195
C206	206	C216	183	C226	211	C236	185	C246	185	C256	187	C266	195
C207	202	C217	175	C227	203	C237	195	C247	195	C257	185	C267	188
C208	198	C218	175	C228	195	C238	187	C248	185	C258	185	C268	202
C209	200	C219	175	C229	195	C239	197	C249	195	C259	187	C269	187
C210	187	C220	195	C230	195	C240	185	---	---	C260	202	C270	187

### 38.Controller Board (B230/B237)

#### CAPACITOR

SYMBOL NO.	INDEX NO.	SYMBOL NO.	INDEX NO.	SYMBOL NO.	INDEX NO.	SYMBOL NO.	INDEX NO.	SYMBOL NO.	INDEX NO.	SYMBOL NO.	INDEX NO.	SYMBOL NO.	INDEX NO.
C271	200	C281	197	---	---	C301	195	C311	185	C320	188	C331	195
C272	185	C282	195	C292	185	C302	185	C312	175	C321	197	C332	185
C273	198	C283	206	---	---	C303	195	C313	210	C322	195	C333	187
C274	187	C284	185	---	---	C304	195	C314	195	C323	185	C334	194
C275	185	C285	195	C295	195	C305	195	C314	210	---	---	C335	194
								C315	210	C325	185		
C276	195	C286	195	C296	210	C306	209			C326	185	C336	194
C277	187	---	---	C297	194	C307	197	C316	197	C327	185	C337	185
C278	187			C298	185	C308	173	C317	195	C328	185	C338	188
C279	173	C288	188	C299	188	C309	197	C318	188	C329	210	C339	194
C280	209	C289	194	C300	210	C310	195	C319	188	C330	195	C340	195
		C290	197										

#### CAPACITOR

SYMBOL NO.	INDEX NO.	SYMBOL NO.	INDEX NO.	SYMBOL NO.	INDEX NO.	SYMBOL NO.	INDEX NO.	SYMBOL NO.	INDEX NO.	SYMBOL NO.	INDEX NO.	SYMBOL NO.	INDEX NO.
C341	185	C351	185	C361	195	C371	210	C381	194	C391	185	C401	195
C342	195	C352	202	C362	195	C372	188	C382	175	C392	195	C402	187
C343	195	C353	194	C363	195	C373	185	C383	175	C393	195	C403	187
C344	185	C354	185	C364	185	C374	195	C384	185	C394	195	C404	185
C345	195	C355	188	C365	195	C375	195	C385	175	C395	306	C405	187
C346	185	C356	210	C366	195	C376	185	C386	175	C396	185	C406	185
C347	195	C357	187	C367	195	C377	185	C387	195	C397	195	C407	187
C348	195	C358	181	C368	195	C378	188	C388	185	C398	175	C408	187
C349	185	C359	195	C369	197	C379	194	C389	195	C399	175	C409	185
C350	195	C360	195	C370	210	C380	187	C390	185	C400	188	C410	195

### 38.Controller Board (B230/B237)

#### CAPACITOR

SYMBOL NO.	INDEX NO.	SYMBOL NO.	INDEX NO.	SYMBOL NO.	INDEX NO.	SYMBOL NO.	INDEX NO.	SYMBOL NO.	INDEX NO.	SYMBOL NO.	INDEX NO.	SYMBOL NO.	INDEX NO.
C411	195	C421	187	C431	185	C441	188	---	---	C461	185	C471	185
C412	185	C422	187	C432	210	---	---	C452	206	---	---	C472	187
C413	185	C423	182	C433	185	C443	185	C453	194	C463	195	C473	185
C414	210	C424	192	C434	175	C444	187	C454	185	C464	187	C474	188
C415	206	C425	187	C435	175	C445	185	C455	206	C465	194	C475	185
C416	200	C426	188	C436	175	C446	185	C456	175	C466	194	C476	188
C417	306	C427	185	C437	175	C447	185	C457	188	C467	210	---	---
C418	195	C428	194	C438	187	C448	178	C458	178	C468	177	C478	195
C419	198	C429	194	C439	187	C449	185	C459	185	C469	185	C479	206
C420	185	C430	185	C440	187	C450	187	C460	187	C470	194	C480	185

#### CAPACITOR

SYMBOL NO.	INDEX NO.	SYMBOL NO.	INDEX NO.	SYMBOL NO.	INDEX NO.	SYMBOL NO.	INDEX NO.	SYMBOL NO.	INDEX NO.	SYMBOL NO.	INDEX NO.	SYMBOL NO.	INDEX NO.
C481	210	---	---	C501	185	C511	200	C521	185	C531	187	C541	195
C482	188	---	---	---	---	C512	206	C522	187	C532	185	C542	198
C483	185	---	---	C503	187	---	---	C523	193	C533	187	C543	187
C484	187	---	---	C504	198	C514	195	C524	200	C534	200	C544	185
C485	210	---	---	C505	185	C515	185	C525	187	C535	187	C545	198
C486	210	C496	185	---	---	C516	187	C526	185	C536	187	C546	187
---	---	C497	185	C507	187	C517	185	C527	198	C537	185	C547	187
C488	187	C498	185	C508	202	C518	198	C528	185	C538	185	C548	305
C489	187	C499	195	C509	173	C519	185	C529	198	C539	187	C549	204
C490	175	---	---	C510	187	C520	198	C530	198	C540	307	C550	180

## 38.Controller Board (B230/B237)

### CAPACITOR

SYMBOL NO.	INDEX NO.	SYMBOL NO.	INDEX NO.	SYMBOL NO.	INDEX NO.	SYMBOL NO.	INDEX NO.	SYMBOL NO.	INDEX NO.	SYMBOL NO.	INDEX NO.
C551	187	C561	195	---	---	C581	202	C591	195	---	---
C552	187	C562	195	C572	187	---	---	C592	188	---	---
C553	189	C563	307	C573	197	C583	175	C593	181	---	---
C554	187	C564	195	---	---	C584	195	---	---	---	---
C555	185	C565	195	C575	197	C585	173	C595	185	C605	195
C556	185	C566	195	C576	187	C586	173	C596	185	C606	168
C557	200	C567	195	C577	200	C587	173	C597	185	---	---
C558	185	---	---	C578	198	---	---	C598	195	---	---
C559	185	C569	185	C579	195	C589	188	C599	195	---	---
C560	187	C570	195	C580	175	C590	188	C600	200	---	---
										C613	195
										C614	195
										C615	195
										C616	195
										C617	195
										C618	195
										C619	195
										C620	185

### CAPACITOR

SYMBOL NO.	INDEX NO.	SYMBOL NO.	INDEX NO.
C621	185	C631	172
C622	185	C632	187
---	---	C633	180
C624	187	C634	172
---	---	C635	187
---	---	C636	180
C627	187	C637	172
C628	187	C638	180
C629	172	C639	187
---	---	C640	172

SYMBOL NO.	INDEX NO.
C641	180

### CONNECTOR

SYMBOL NO.	INDEX NO.
CN100	105
CN101	110
CN102	110
CN103	109
---	---
CN105	103
CN106	104
CN107	104
CN108	104
CN109	106
---	---

SYMBOL NO.	INDEX NO.
---	---
CN112	101
CN113	107
---	---
CN115	102
---	---
CN117	108

### DIODE

SYMBOL NO.	INDEX NO.
D1	119
D2	119
D3	119
D4	122
D5	121
D6	119
D7	120
D8	121
---	---
D10	122

SYMBOL NO.	INDEX NO.
D11	119
---	---
D13	119

### 38.Controller Board (B230/B237)

#### FIL

SYMBOL NO.	INDEX NO.
FIL1	220
FIL2	220
FIL3	213
FIL4	213
FIL5	216
FIL6	216
FIL7	222
FIL8	212
FIL9	212
FIL10	214

#### FUT

SYMBOL NO.	INDEX NO.
FIL11	214
FIL12	212
FIL13	222

SYMBOL NO.	INDEX NO.
FU1	111
FU2	111

#### IC

SYMBOL NO.	INDEX NO.
IC1	130
---	---
IC3	151
IC4	133
IC5	150
---	---
IC7	126
IC8	1
IC9	125
IC10	127

SYMBOL NO.	INDEX NO.
---	---
IC12	148
IC13	135
IC14	133
IC15	151
---	---
IC16	140
---	---
---	---
IC19	130
---	---

SYMBOL NO.	INDEX NO.
---	---
IC22	138
IC23	135
IC24	308
IC25	2
---	---
IC26	136
---	---
---	---
IC28	152
IC29	147
IC30	152

SYMBOL NO.	INDEX NO.
IC31	308
IC32	141
IC33	132
---	---
IC35	149
---	---
IC36	134
IC37	143
---	---
IC39	128
---	---

SYMBOL NO.	INDEX NO.
---	---
---	---
IC43	124
---	---
---	---
---	---
IC46	127
IC47	145
IC48	144
IC49	137
IC50	142

#### IC

SYMBOL NO.	INDEX NO.
---	---
IC52	135
IC53	131
IC54	135
IC55	146
---	---
---	---
---	---
IC58	135
---	---
---	---

SYMBOL NO.	INDEX NO.
IC61	129
IC62	142
IC63	139
IC64	142
---	---
---	---
IC67	139
IC68	139

#### L

SYMBOL NO.	INDEX NO.
L1	215
L2	223
L3	219
L4	219
L5	221
L6	215
L7	217
L8	218
L9	218
L10	218

#### LED

SYMBOL NO.	INDEX NO.
L11	218
L12	218

SYMBOL NO.	INDEX NO.
LED1	123
LED11	123

#### OSC

SYMBOL NO.	INDEX NO.
OSC1	153
OSC2	154
OSC3	156
OSC4	155

#### Q

SYMBOL NO.	INDEX NO.
Q1	114
Q2	117
Q3	115
Q4	115
Q5	116
Q6	116
Q7	114
Q8	117
Q9	114
Q10	118

SYMBOL NO.	INDEX NO.
Q11	114
Q12	114

### 38.Controller Board (B230/B237)

#### RESISTOR

SYMBOL NO.	INDEX NO.	SYMBOL NO.	INDEX NO.	SYMBOL NO.	INDEX NO.	SYMBOL NO.	INDEX NO.	SYMBOL NO.	INDEX NO.	SYMBOL NO.	INDEX NO.	SYMBOL NO.	INDEX NO.
R1	246	R11	283	---	---	R31	271	R41	276	R51	276	R61	263
R2	246	R12	269	R22	263	R32	283	R42	263	---	---	R62	285
R3	246	R13	247	R23	263	R33	276	---	---	R53	276	R63	246
---	---	---	---	R24	257	---	---	R44	245	---	---	R64	276
---	---	---	---	R25	276	---	---	R45	288	R55	263	---	---
R6	246	---	---	R26	263	R36	276	R46	292	R56	271	R66	245
R7	266	R17	246	R27	263	---	---	R47	243	R57	263	R67	276
R8	283	R18	279	R28	262	---	---	R48	246	R58	266	R68	271
R9	277	---	---	R29	276	---	---	R49	271	R59	245	R69	271
R10	283	R20	277	R30	263	R40	277	R50	246	R60	276	R70	255

#### RESISTOR

SYMBOL NO.	INDEX NO.	SYMBOL NO.	INDEX NO.	SYMBOL NO.	INDEX NO.	SYMBOL NO.	INDEX NO.	SYMBOL NO.	INDEX NO.	SYMBOL NO.	INDEX NO.	SYMBOL NO.	INDEX NO.
R71	276	R81	266	---	---	R101	271	R111	283	R121	246	---	---
R72	283	R82	276	---	---	R102	245	R112	271	R122	271	---	---
R73	246	R83	246	R93	271	R103	245	R113	283	R123	271	R133	276
R74	266	R84	266	R94	255	R104	271	R114	271	R124	278	R134	247
R75	276	R85	266	R95	276	R105	246	R115	246	R125	261	R135	276
---	---	R86	266	R96	263	R106	246	---	---	R126	278	R136	247
---	---	R87	271	R97	246	R107	246	R117	263	R127	271	---	---
---	---	R88	272	R98	271	R108	246	R118	255	R128	271	R138	263
---	---	R89	276	R99	263	---	---	R119	271	R129	283	R139	271
---	---	R90	263	R100	246	R110	271	R120	271	R130	263	---	---

### 38.Controller Board (B230/B237)

#### RESISTOR

SYMBOL NO.	INDEX NO.	SYMBOL NO.	INDEX NO.	SYMBOL NO.	INDEX NO.	SYMBOL NO.	INDEX NO.	SYMBOL NO.	INDEX NO.	SYMBOL NO.	INDEX NO.	SYMBOL NO.	INDEX NO.
---	---	R141	276	R151	263	R161	263	R171	266	R181	237	R191	274
---	---	R142	283	R152	255	R162	276	R172	266	R182	243	R192	274
R133	276	R143	276	R153	276	R163	276	R173	245	R183	237	R193	263
R134	247	R144	276	R154	263	R164	274	---	---	R184	237	R194	265
R135	276	R145	276	R155	276	R165	271	---	---	R185	237	---	---
R136	247	R146	263	R156	271	R166	276	R176	237	R186	237	R196	243
---	---	R147	271	R157	263	R167	271	R177	237	R187	237	R197	243
R138	263	R148	276	R158	263	R168	276	R178	237	R188	246	---	---
R139	271	R149	276	R159	255	R169	276	R179	237	R189	266	R199	274
---	---	R150	271	R160	276	---	---	R180	237	R190	263	R200	263

#### RESISTOR

SYMBOL NO.	INDEX NO.	SYMBOL NO.	INDEX NO.	SYMBOL NO.	INDEX NO.	SYMBOL NO.	INDEX NO.	SYMBOL NO.	INDEX NO.	SYMBOL NO.	INDEX NO.	SYMBOL NO.	INDEX NO.
R201	263	R211	241	---	---	---	---	R241	246	---	---	R261	275
R202	263	R212	297	R222	243	R232	238	---	---	R252	284	---	---
R203	265	R213	246	R223	243	R232	266	R243	246	R253	286	R263	246
R204	247	R214	263	R224	266	---	---	R244	286	---	---	---	---
R205	243	R215	263	---	---	R234	296	R245	246	R255	248	R265	252
R206	243	R216	263	R226	237	R235	246	R246	244	R256	244	R266	245
R207	237	R217	245	R227	237	R236	246	R247	243	R257	264	R267	274
R208	234	R218	239	R228	237	R237	246	---	---	R258	264	R268	294
R209	246	R219	240	R229	237	---	---	R249	258	R259	304	R269	286
R210	245	---	---	R230	237	R240	243	---	---	R260	286	R270	281



### 38.Controller Board (B230/B237)

#### RESISTOR

SYMBOL NO.	INDEX NO.	SYMBOL NO.	INDEX NO.	SYMBOL NO.	INDEX NO.	SYMBOL NO.	INDEX NO.	SYMBOL NO.	INDEX NO.	SYMBOL NO.	INDEX NO.	SYMBOL NO.	INDEX NO.
---	---	R281	273	R291	246	R301	263	R311	245	R321	263	R331	247
R272	246	R282	273	R292	246	R302	283	R312	246	R322	283	R332	247
R273	300	R283	280	R293	246	R303	283	R313	263	---	---	R333	247
R274	302	R284	280	R294	236	---	---	R314	285	R324	278	R334	247
R275	281	R285	236	R295	236	---	---	R315	246	R325	245	R335	247
R276	247	R286	236	R296	236	---	---	R316	263	R326	263	R336	247
R277	245	R287	236	---	---	R307	245	---	---	R327	250	R337	278
R278	245	R288	236	---	---	R308	246	R318	278	R328	283	R338	278
R279	245	R289	246	R299	263	R309	263	R319	263	R328	246	R339	266
R280	235	R290	246	R300	263	R310	245	R320	246	R329	250	R340	266
										R330	247		

#### RESISTOR

SYMBOL NO.	INDEX NO.	SYMBOL NO.	INDEX NO.	SYMBOL NO.	INDEX NO.	SYMBOL NO.	INDEX NO.	SYMBOL NO.	INDEX NO.	SYMBOL NO.	INDEX NO.	SYMBOL NO.	INDEX NO.
R341	266	R351	276	R361	276	R371	246	R381	271	R391	276	R401	269
R342	266	R351	283	R362	283	R372	269	R382	255	R392	283	R402	276
R343	266	R352	246	R362	267	R373	276	R383	276	R393	246	---	---
R344	266	R353	245	R363	269	R374	246	R384	246	---	---	R404	246
R345	266	R354	245	R364	276	R375	246	R385	266	R395	279	R405	246
R346	266	---	---	R365	246	---	---	R386	276	R396	246	R406	276
R347	276	---	---	R366	246	R376	279	R387	283	R397	267	R407	246
R348	276	---	---	R367	272	R377	246	R388	283	R398	283	---	---
R349	245	---	---	R368	279	R378	276	R388	283	R398	266	R409	267
R350	261	R359	267	R369	276	R379	283	R389	266	---	---	R410	276
		R360	276	R370	243	R380	246	R390	283	R400	246		

### 38.Controller Board (B230/B237)

#### RESISTOR

SYMBOL NO.	INDEX NO.	SYMBOL NO.	INDEX NO.	SYMBOL NO.	INDEX NO.	SYMBOL NO.	INDEX NO.	SYMBOL NO.	INDEX NO.	SYMBOL NO.	INDEX NO.	SYMBOL NO.	INDEX NO.
R411	277	R421	255	R431	266	---	---	---	---	R461	247	R471	271
R412	276	R422	271	R432	271	---	---	R452	246	R462	263	R472	283
---	---	R423	277	---	---	---	---	R453	271	R463	271	R473	276
R414	283	R424	266	R434	271	---	---	R454	271	R464	247	R474	255
R415	271	R425	271	---	---	R445	271	R455	263	R465	257	R475	276
R416	276	R426	243	R436	249	R446	246	R456	271	---	---	R476	267
R417	271	R427	246	R437	271	R447	246	R457	249	R467	271	R477	276
R418	266	R428	263	---	---	R448	246	R458	271	R468	247	R478	276
---	---	R429	245	R439	246	R449	246	R459	240	R469	255	R479	276
R420	277	R430	266	R440	266	R450	271	R460	263	R470	271	R480	276

#### RESISTOR

SYMBOL NO.	INDEX NO.	SYMBOL NO.	INDEX NO.	SYMBOL NO.	INDEX NO.	SYMBOL NO.	INDEX NO.	SYMBOL NO.	INDEX NO.	SYMBOL NO.	INDEX NO.	SYMBOL NO.	INDEX NO.
R481	267	---	---	R501	267	R511	267	R521	266	R531	263	R541	238
R482	271	R492	276	R502	263	R512	263	R522	265	R532	238	R542	283
R483	276	R493	246	R503	276	R513	276	R523	265	R533	238	R543	246
R484	255	R494	263	R504	276	R514	263	R524	266	R534	238	R544	283
R485	276	R495	263	R505	276	R515	276	R525	246	R535	238	R545	237
R486	269	R496	263	R506	266	---	---	R526	246	R536	263	R546	237
---	---	---	---	R507	266	R517	263	R527	263	---	---	R547	237
R488	276	R498	263	R508	244	R518	249	R528	243	R538	245	R548	237
R489	279	R499	263	R509	244	R519	249	---	---	R539	246	R549	246
R490	246	R500	266	R510	276	R520	256	R530	257	R540	238	R550	261

### 38.Controller Board (B230/B237)

#### RESISTOR

SYMBOL NO.	INDEX NO.	SYMBOL NO.	INDEX NO.	SYMBOL NO.	INDEX NO.	SYMBOL NO.	INDEX NO.	SYMBOL NO.	INDEX NO.	SYMBOL NO.	INDEX NO.	SYMBOL NO.	INDEX NO.
---	---	R561	291	---	---	R581	240	R591	243	R601	246	R611	237
---	---	R562	240	R572	243	R582	283	R592	250	R602	250	R612	246
---	---	R563	240	R573	246	R583	251	R593	244	R603	276	---	---
R554	236	R564	238	---	---	R584	246	R594	237	R604	237	R614	263
R555	245	R565	238	R575	237	R585	245	R595	246	R605	240	R615	245
---	---	R566	263	R576	243	R586	237	R596	245	---	---	R616	266
R557	236	---	---	---	---	R587	240	R597	283	R607	254	R617	246
R558	246	R568	266	R578	246	R588	243	R598	263	R608	276	R618	245
R559	263	R569	246	R579	237	R589	243	R599	263	---	---	R619	241
R560	246	R570	263	R580	242	R590	245	R600	263	R610	240	R620	246

#### RESISTOR

SYMBOL NO.	INDEX NO.	SYMBOL NO.	INDEX NO.	SYMBOL NO.	INDEX NO.	SYMBOL NO.	INDEX NO.	SYMBOL NO.	INDEX NO.	SYMBOL NO.	INDEX NO.	SYMBOL NO.	INDEX NO.
R621	266	R631	246	R641	240	R651	237	R661	237	R671	246	R681	246
R622	237	---	---	R642	242	R652	243	R662	299	R672	263	R682	295
R623	240	---	---	R643	245	---	---	---	---	R673	246	---	---
R624	245	R634	246	R644	245	---	---	R664	248	---	---	R684	246
---	---	R635	245	R645	241	R655	263	R665	246	R675	246	R685	246
---	---	R636	237	R646	246	R656	289	R666	246	---	---	---	---
---	---	R637	237	---	---	R657	243	R667	287	---	---	R687	283
R628	266	---	---	R648	255	---	---	R668	270	---	---	R688	293
R629	245	R639	246	---	---	---	---	R669	270	R679	298	R689	263
R630	245	R640	246	R650	243	R660	263	R670	263	R680	290	R690	246

## 38.Controller Board (B230/B237)

### RESISTOR

SYMBOL NO.	INDEX NO.	SYMBOL NO.	INDEX NO.	SYMBOL NO.	INDEX NO.	SYMBOL NO.	INDEX NO.	SYMBOL NO.	INDEX NO.	SYMBOL NO.	INDEX NO.	SYMBOL NO.	INDEX NO.
---	---	R701	245	R711	236	R721	246	R731	244	---	---	R751	263
R692	259	R702	266	R712	236	R722	253	R732	244	---	---	R752	263
R693	301	R703	246	R713	236	R723	278	R733	268	R743	260	R753	263
R694	243	---	---	R714	263	R724	282	R734	263	R744	236	R754	263
R695	254	R705	303	---	---	R725	260	R735	268	R745	236	R755	263
R696	243	R706	263	---	---	---	---	---	---	R746	236	R756	263
R697	243	R707	246	---	---	R727	246	R737	236	---	---	R757	263
R698	263	R708	244	R718	263	R728	236	R738	236	R748	263	R758	263
---	---	R709	244	---	---	R729	268	R739	268	R749	263	R759	263
R700	263	R710	236	R720	236	R730	244	R740	268	R750	263	R760	263

### RESISTOR

SYMBOL NO.	INDEX NO.
R761	263
R762	283

### RN

SYMBOL NO.	INDEX NO.	SYMBOL NO.	INDEX NO.	SYMBOL NO.	INDEX NO.	SYMBOL NO.	INDEX NO.	SYMBOL NO.	INDEX NO.	SYMBOL NO.	INDEX NO.	SYMBOL NO.	INDEX NO.
RN1	160	RN11	224	RN21	224	RN31	159	RN41	230	RN51	231	---	---
RN2	160	RN12	160	RN22	162	RN32	232	RN42	230	---	---	RN53	224
RN3	160	RN13	224	RN23	228	RN33	232	RN43	229	RN54	224	RN54	224
RN4	224	RN14	228	RN24	166	RN34	228	RN44	159	RN55	224	RN55	224
RN5	224	RN15	224	RN25	160	RN35	164	RN45	229	RN56	160	RN56	160
RN6	224	RN16	224	RN26	228	RN36	229	RN46	224	RN57	224	RN57	224
RN7	224	RN17	228	RN27	232	RN37	226	RN47	232	RN58	224	RN58	224
RN8	224	RN18	224	RN28	228	RN38	229	RN48	224	RN59	160	RN59	160
RN9	228	RN19	228	RN29	232	RN39	230	RN49	160	RN60	161	RN60	161
RN10	224	RN20	224	RN30	228	RN40	230	RN50	231				

### 38.Controller Board (B230/B237)

#### RN

SYMBOL NO.	INDEX NO.
RN61	161
RN62	161
RN63	162
RN64	160
RN65	162
RN66	158
---	---
RN68	232
RN69	166
RN70	233

SYMBOL NO.	INDEX NO.
RN71	225
RN72	233
RN73	165
RN74	224
RN75	233
RN76	225
RN77	227
RN78	233
RN79	162
RN80	160

SYMBOL NO.	INDEX NO.
RN81	228
RN82	160
RN83	157
RN84	163
---	---
RN86	224
RN87	225
RN88	225
---	---
RN90	158

SYMBOL NO.	INDEX NO.
RN91	158
RN92	225
RN93	225
RN94	158
RN95	224
RN96	224

#### SW

SYMBOL NO.	INDEX NO.
SW1	112

### 38.Controller Board (B230/B237)

Index No.	Part No.	Description	Q'ty Per Assembly
*	B231 5781	Controller Board:AT-C1A	1
*	B238 5781	Controller Board:AT-C1B	1
1	B180 5891	ASIC:TRUMPET3	1
2	B238 5720	ASIC:SHAKER5.5	1

Index No.	Part No.	Description	Q'ty Per Assembly
101	1102 5303	Connector - 4P	
102	1102 7615	Connector - B8B-XH-A	
103	1102 8329	Connector - USB - UBB-4R-D14C	
104	1102 9336	Connector:FPS009-2300-0	
105	1102 9535	Connector - 200PS-JUK-G-B	
106	1102 9686	Connector - RHM-176P-SDK11-U1L1C	
107	1102 9689	Connector 2-440091-4	
108	1102 9887	Connector:52588-3090	
109	1102 9890	Connector:5-1605706-2	
110	1102 9928	Connector:29 6406 200 000 856	
111	1107 1099	Fuse Sst 5	
112	1204 1543	Dip Switch	
113	1206 0115	Lithium Cell - CR1632/V1A	
114	1400 0730	Transistor - 2SD1782K	
115	1401 1209	IC - HAT2093R	
116	1401 1228	Fet:SI3433DV-E3	
117	1401 1296	Fet:TPC8115	
118	1401 1320	Fet - TPC8107	
119	1402 1336	Diode - 1SS355	
120	1402 1365	Diode-RB751V-40	
121	1402 1698	Diode - RB	
122	1402 1709	Diode:EC21QS06G	
123	1403 1131	LED:SML-311UT	
124	1407 4919	IC - 74VHCT244 TSSOP	
125	1407 5274	CMOS Logic - 74LVCH162244A TSSOP	
126	1407 5300	CMOS Logic - 74LVC16244A TSSOP	
127	1407 5334	IC - CMOS LOGIC 74LVC244A TSSOP	
128	1407 5345	IC-SN74IV04APW	
129	1407 5376	IC - SN74LV32APW	
130	1407 5469	IC - SN74LV07APW	
131	1407 5520	IC - SN74LVC125APW	
132	1407 5523	ROM - I2C SOP 3V	
133	1407 5604	IC - SN74LVC16245ADGG	
134	1407 5868	Ethernet Cont LSI - DP83847ALQA56A	
135	1407 6101	IC - SN74LVC2G17DCK	

Index No.	Part No.	Description	Q'ty Per Assembly
136	1407 6127	Clock Generator:ICS960008AFLF	
137	1407 6145	IC:SN74LVC373APW	
138	1407 6161	Clock Generator-ICS960009AFLF	
139	1407 6187	CMOS Logic - SN74LVC1G07DCK	
140	1407 6255	CPU- RM7035C-600I-REV1.1	
141	1407 6265	Real Time Clock:R2025S	
142	1407 6335	CMOS Logic:SN74LVC1G17DCK	
143	1407 6585	CMOS Logic:SN74AHCT1G32DCK	
144	1408 1778	IC:R3112Q101A	
145	1408 1825	IC - R3112Q121A	
146	1408 1826	IC - R3112Q421A	
147	1408 1956	IC:LTC3728LXCUH#TRPBF	
148	1408 1960	IC:LP2996LQ/NOPB	
149	1408 1975	IC - TPS62040DGQ	
150	1408 2034	IC:TPS62042DGQ	
151	1408 2053	IC:R3112Q291A-FA	
152	1408 2066	IC:TPS54310PWP	
153	1503 0842	Oscillator - 14.31818MHZ	
154	1503 1007	Crystal Oscillator - 25Mhz	
155	1503 1181	Crystal Oscillator:30Mhz	
156	1503 1239	Crystal Oscillator:25Mhz	
157	1601 7877	Resistor Array 4.7k $\Omega$ $\pm$ 5% 1/32W	
158	1601 7887	Resistor Array - 10K $\Omega$ $\pm$ 5% 1/32W	
159	1601 7896	Resistor Array - 56 $\Omega$ $\pm$ 5% 1/32W	
160	1601 7898	Resistor Array	
161	1601 7909	Resistor Array - 10 $\Omega$ $\pm$ 5% 1/32W	
162	1601 7913	Resistor 22 $\Omega$ $\pm$ 5% 1/32W	
163	1601 7959	Resistor	
164	1601 7960	Resistor Array - 100 $\Omega$ $\pm$ 5% 1/16W	
165	1601 7981	Resistor Array - 100K $\Omega$ $\pm$ 5% 1/16W	
166	1601 7994	Resistor - 8.2K $\Omega$ $\pm$ 5% 1/16W	
167	1604 4630	Capacitor - 100 $\mu$ F $\pm$ 20% 6.3V	
168	1604 4728	Capacitor - 100 $\mu$ F $\pm$ 20% 16V	
169	1604 4994	Capacitor - 100 $\mu$ F $\pm$ 20% 6.3V	
170	1604 5002	Capacitor - 220 $\mu$ F $\pm$ 20% 6.3V	

Index No.	Part No.	Description	Q'ty Per Assembly
171	1604 5102	Capacitor:33uf: $\pm$ 20%:16V	
172	1605 1034	Ceramic Capacitor:1000pF: $\pm$ 10%:50V	
173	1605 1124	Capacitor - 4.7 $\mu$ F+80 -20% 10V	
174	1605 1165	Capacitor:680pF: $\pm$ 5%:50V	
175	1605 1200	Capacitor - 10PF $\pm$ 0.5pF 50V	
176	1605 1201	Capacitor - 12pF $\pm$ 5% 50V	
177	1605 1204	Capacitor - pF50V	
178	1605 1205	Capacitor - 33pF $\pm$ 5% 50V	
179	1605 1206	Capacitor - 47pF $\pm$ 5% 50V	
180	1605 1207	Capacitor - 68pF $\pm$ 5% 50V	
181	1605 1208	Capacitor:100pF: $\pm$ 5%:50V	
182	1605 1209	Capacitor - 150pF $\pm$ 5% 50V	
183	1605 1210	Capacitor:180pF: $\pm$ 5%:50V	
184	1605 1212	Capacitor - 470pF $\pm$ 10% 50V	
185	1605 1214	Capacitor - 1000pF $\pm$ 10% 50V	
186	1605 1216	Capacitor - 2200pF $\pm$ 10%50V	
187	1605 1221	Capacitor - 0.1 UF+80-20%16V	
188	1605 1240	Capacitor - 0.01 $\mu$ F $\pm$ 10% 25V	
189	1605 1249	Capacitor:0.047uf: $\pm$ 10%:16V	
190	1605 1282	Capacitor:22uf:+80-20%:10V	
191	1605 1283	Capacitor - 680pF $\pm$ 10% 50V	
192	1605 1284	Capacitor:1500pF: $\pm$ 10%:50V	
193	1605 1285	Capacitor - 3300pF $\pm$ 10% 50V	
194	1605 1288	Capacitor - 220pF $\pm$ 5% 50V	
195	1605 1289	Capacitor - 0.1 $\mu$ F $\pm$ 10% 10V	
196	1605 1294	Resistor - 1000pF $\pm$ 5% 50V	
197	1605 1295	Capacitor:10uf:+80-20%:10V	
198	1605 1296	Capacitor - 330pF $\pm$ 10% 50V	
199	1605 1299	Resistor - 56pF $\pm$ 5% 50V	
200	1605 1303	Capacitor - 0.01 $\mu$ F+80-20% 50V	
201	1605 1307	Capacitor - 2.2 $\mu$ F+80-20% 11V	
202	1605 1347	Capacitor - 1UF:+80-20%:16V	
203	1605 1353	Capacitor - 0.1 $\mu$ F $\pm$ 10% 25V	
204	1605 1354	Capacitor:1200pF: $\pm$ 5%:50V	
205	1605 1359	Capacitor - 10UF: $\pm$ 20%:16V	

Index No.	Part No.	Description	Q'ty Per Assembly
206	1605 1391	Capacitor - 22UF:±20%:6.3V	
207	1605 1406	Capacitor - 10µF±10% 6.3V	
208	1605 1416	Capacitor - 1800pF:±5%:50V	
209	1605 1417	Capacitor:47uf:+80-20%:10V	
210	1605 1466	Resistor - 4.7µF+80-20% 10V	
211	1605 1496	Capacitor:10UF:+80-20%:35V	
212	1607 0978	Inductor - BLM21P300SPB	
213	1607 1051	Filter -FBMJ2125HS420	
214	1607 1061	Filter - BLM11p300SPB	
215	1607 1228	Inductor - SLF7045-4R7M2R0	
216	1607 1351	Filter BLM21PG221SN1B	
217	1607 1362	Coil - ACM3225-800-2P	
218	1607 1471	Inductor:LB2518B6R8M	
219	1607 1477	Inductor - RLF7030-4R7M3R4	
220	1607 1489	Filter - MMZ1608B301C	
221	1607 1556	Inductor:RLF7030-1R5N6R1	
222	1607 1567	Filter:MPZ2012S101A	
223	1607 1650	Inductor:RLF7030-6R8M2R8	
224	1609 0005	Resistor:33 Ω:±5%:1/16W	
225	1609 0006	Resistor:10k Ω:±5%:1/16W	
226	1609 0007	Resistor - 68Ω ±5% 1/16W	
227	1609 0008	Resistor:4.7k Ω:±5%:1/16W	
228	1609 0011	Resistor:22Ω:±5%:1/16W	
229	1609 0016	Resistor:56 Ω:±5%:1/16W	
230	1609 0019	Resistor:0 Ω:1608	
231	1609 0020	Resistor:10 Ω:±5%:1/16W	
232	1609 0026	Resistor - 47Ω ±5% 1/16W	
233	1609 0027	Resistor - 100KΩ±5% 1/16W	
234	1610 1775	Resistor - 0.03 Ω ±1% 1W	
235	1610 1804	Resistor:0.006 Ω:±1%:1W	
236	1632 0000	Resistor - 0 Ω 1/8W	
237	1634 0000	Resistor - 0 Ω 1/16W	
238	1650 4100	Resistor - 10Ω ±5% 1/10W	
239	1650 4220	Chip Resistor - 22Ω ±5% 1/10W	
240	1650 4330	Chip Resistor - 33Ω ±5% 1/10W	

Index No.	Part No.	Description	Q'ty Per Assembly
241	1650 4470	Resistor - 47Ω±5%1/10W	
242	1650 4560	Chip Resistor - 56Ω ±5% 1/10W	
243	1650 5100	Chip Resistor - 10 Ω±5%1/16W	
244	1650 5101	Chip Resistor - 100 Ω±5%1/16W	
245	1650 5102	Chip Resistor - 1kΩ±5%1/16W	
246	1650 5103	Chip Resistor - 10kΩ±5%1/16W	
247	1650 5104	Chip Resistor - 100kΩ±5%1/16W	
248	1650 5105	Chip Resistor - 1mΩ±5%1/16W	
249	1650 5109	Chip Resistor 1Ω ±5% 1/16W	
250	1650 5122	Chip Resistor - 1.2kΩ±5%1/16W	
251	1650 5150	Resistor - 15Ω ±5% 1/16W	
252	1650 5152	Chip Resistor:1.5kΩ:±5%:1/16W	
253	1650 5153	Chip Resistor - 15kΩ ±5% 1/16W	
254	1650 5202	Chip Resistor:2kΩ:±5%:1/16W	
255	1650 5220	Resistor - 22Ω ±5% 1/16W	
256	1650 5221	Chip Resistor - 220Ω±5%1/16W	
257	1650 5222	Resistor - 2.2KΩ ±5% 1/16W	
258	1650 5229	Resistor:2.2 Ω:±5%:1/16w:1005	
259	1650 5249	Resistor - 2.4Ω ±5% 1/16W	
260	1650 5271	Chip Resistor 270Ω ±5% 1/16W	
261	1650 5272	Chip Resistor:2.7kΩ:±5%:1/16W	
262	1650 5273	Resistor:27kΩ:±5%:1/16W	
263	1650 5330	Chip Resistor - 33Ω±5%1/16W	
264	1650 5360	Resistor - 36Ω ±5% 1/16W	
265	1650 5470	Chip Resistor 47Ω ±5% 1/16W	
266	1650 5472	Chip Resistor:4.7kΩ:±5%:1/16W	
267	1650 5510	Chip Resistor - 51Ω±5%1/16W	
268	1650 5512	Chip Resistor 5.1kΩ ±5% 1/16W	
269	1650 5513	Chip Resistor:51kΩ:±5%:1/16W	
270	1650 5514	Chip Resistor:510kΩ:±5%:1/16W	
271	1650 5560	Chip Resistor 56Ω ±5% 1/16W	
272	1650 5562	Chip Resistor:5.6kΩ:±5%:1/16W	
273	1650 5621	Chip Resistor 620Ω ±5% 1/16W	
274	1650 5680	Resistor - 68Ω ±5% 1/16W	
275	1650 5681	Chip Resistor:680Ω:±5%:1/16W	







### 39.BICU Board (B230/B237)

#### CAPACITOR

SYMBOL NO.	INDEX NO.	SYMBOL NO.	INDEX NO.	SYMBOL NO.	INDEX NO.	SYMBOL NO.	INDEX NO.	SYMBOL NO.	INDEX NO.	SYMBOL NO.	INDEX NO.	SYMBOL NO.	INDEX NO.
---	---	C11	180	C21	182	---	---	C111	192	C121	180	C131	178
---	---	C12	180	C22	193	C102	180	C112	182	C122	178	C132	178
---	---	C13	180	---	---	C103	178	C113	182	C123	182	C133	178
C5	194	C14	180	C34	175	---	---	C114	178	C124	180	C134	178
C5	180	C15	180	C35	186	---	---	C115	178	C125	182	C135	182
---	---	C16	180	---	---	C106	182	C116	178	C126	178	C136	180
C7	180	C17	180	---	---	C107	182	C117	178	C127	178	C137	180
C8	180	C18	180	---	---	C108	182	C118	182	C128	178	C138	182
C9	181	---	---	---	---	C109	182	C119	178	C129	182	C139	182
C10	180	---	---	---	---	C110	182	C120	178	C130	178	C140	170

#### CAPACITOR

SYMBOL NO.	INDEX NO.	SYMBOL NO.	INDEX NO.	SYMBOL NO.	INDEX NO.	SYMBOL NO.	INDEX NO.	SYMBOL NO.	INDEX NO.	SYMBOL NO.	INDEX NO.	SYMBOL NO.	INDEX NO.
C141	182	---	---	C161	194	C171	175	C181	186	C191	182	---	---
C142	171	---	---	---	---	---	---	C182	177	---	---	C202	180
C143	174	C153	178	C163	182	---	---	C183	191	C193	186	C203	180
C144	169	C154	182	C164	180	---	---	C184	191	C194	186	---	---
C145	169	C155	182	C165	182	C175	182	C185	176	C195	171	---	---
C146	174	C156	182	C166	182	---	---	C186	177	---	---	C206	180
C147	182	C157	182	C167	180	---	---	C187	177	---	---	C207	180
C148	170	C158	182	C168	182	C178	175	C188	186	---	---	---	---
C149	233	---	---	C169	178	C179	182	---	---	---	---	C209	233
C150	182	C160	186	C170	182	C180	182	C190	182	C200	172	C210	178

### 39.BICU Board (B230/B237)

#### CAPACITOR

SYMBOL NO.	INDEX NO.	SYMBOL NO.	INDEX NO.	SYMBOL NO.	INDEX NO.	SYMBOL NO.	INDEX NO.	SYMBOL NO.	INDEX NO.	SYMBOL NO.	INDEX NO.	SYMBOL NO.	INDEX NO.
C211	178	C221	180	C231	180	C241	180	C251	179	C261	190	C271	182
C212	178	C222	183	---	---	C242	182	C252	178	C262	190	C272	178
C213	178	C223	179	C233	182	C243	180	C253	178	C263	190	C273	182
---	---	C224	180	C234	233	C244	182	C254	178	C264	178	C274	182
C215	175	C225	182	---	---	C245	180	C255	178	C265	182	C275	182
C216	182	---	---	---	---	C246	182	C256	183	C266	186	C276	180
C216	182	C227	180	C237	180	C247	182	C257	190	C267	186	C277	182
C217	180	C228	180	C238	188	C248	180	C258	190	C268	186	C278	182
---	---	C229	190	C239	182	C249	183	C259	190	C269	186	C279	180
C219	180	C230	180	C240	182	C250	179	C260	190	C270	182	C280	182
C220	182												

#### CAPACITOR

SYMBOL NO.	INDEX NO.	SYMBOL NO.	INDEX NO.	SYMBOL NO.	INDEX NO.	SYMBOL NO.	INDEX NO.	SYMBOL NO.	INDEX NO.	SYMBOL NO.	INDEX NO.	SYMBOL NO.	INDEX NO.
C281	182	C291	180	C300	186	C311	180	C321	182	C331	182	C340	182
C282	180	C292	180	C301	178	C312	180	C322	180	C332	189	C341	180
C283	180	---	---	C302	233	C313	182	C323	182	C333	182	C342	182
C284	182	C294	180	C303	180	C314	180	C324	180	C334	182	C343	182
C285	180	---	---	C304	178	C315	182	C325	182	C335	189	C344	180
C286	179	---	---	C305	174	---	---	C326	189	C336	189	C345	182
C287	183	---	---	C307	192	C316	180	C327	189	C337	180	C346	180
C288	182	C298	233	C308	180	C317	180	C328	180	C338	189	C347	182
C289	180	C299	178	C309	189	C318	182	C329	182	C338	180	C348	180
C290	180	C300	178	C310	182	C320	182	C330	180	---	---	C349	180

### 39.BICU Board (B230/B237)

#### CAPACITOR

SYMBOL NO.	INDEX NO.	SYMBOL NO.	INDEX NO.	SYMBOL NO.	INDEX NO.	SYMBOL NO.	INDEX NO.	SYMBOL NO.	INDEX NO.	SYMBOL NO.	INDEX NO.	SYMBOL NO.	INDEX NO.
C351	180	C361	180	C371	180	C381	182	C391	180	C401	180	C411	182
C352	180	C362	180	C372	189	C382	189	C392	180	C402	180	C412	180
C353	178	C363	180	C373	180	C383	182	C393	182	C403	182	C413	182
C354	182	C364	182	C374	182	C384	182	C394	182	C404	180	C414	180
C355	180	C365	182	C375	180	C385	182	C395	182	C405	185	C415	182
---	---	C366	182	C376	182	C386	180	C396	180	C406	182	C416	180
C357	182	C367	189	C377	189	C387	180	C397	182	C407	181	C417	182
C358	180	C368	182	C378	189	C388	180	C398	189	C408	186	C418	182
C359	180	C369	180	C379	182	C389	180	C399	180	C409	182	C419	182
C360	180	C370	182	---	---	C390	180	C400	182	C410	180	C420	180

#### CAPACITOR

SYMBOL NO.	INDEX NO.	SYMBOL NO.	INDEX NO.	SYMBOL NO.	INDEX NO.	SYMBOL NO.	INDEX NO.	SYMBOL NO.	INDEX NO.	SYMBOL NO.	INDEX NO.	SYMBOL NO.	INDEX NO.
C421	180	C431	180	C441	178	C451	180	C461	180	C471	182	C481	189
C422	180	C432	180	C442	178	C452	182	C462	186	C472	182	C482	180
C423	182	C433	182	C443	178	C453	182	C463	182	C473	180	C483	182
C424	182	C434	180	C444	178	C454	180	C464	182	C474	187	C484	182
C425	186	C435	189	C445	180	C455	189	C465	187	C475	186	C485	182
C426	182	C436	180	C446	180	C456	182	C466	184	C476	182	C486	180
C427	180	C437	182	C447	182	C457	180	C467	180	C477	182	C487	184
C428	182	C438	180	C448	182	C458	180	C468	180	C478	180	C488	180
C429	180	C439	182	C449	180	C459	182	C469	182	C479	180	C489	182
C430	182	C440	180	C450	182	C460	180	C470	189	C480	182	C490	182

## 39.BICU Board (B230/B237)

### CAPACITOR

SYMBOL NO.	INDEX NO.	SYMBOL NO.	INDEX NO.	SYMBOL NO.	INDEX NO.	SYMBOL NO.	INDEX NO.	SYMBOL NO.	INDEX NO.	SYMBOL NO.	INDEX NO.	SYMBOL NO.	INDEX NO.
C491	180	C501	182	C511	182	C521	178	C531	175	C541	182	C551	178
C492	182	C502	180	C512	182	C522	178	C532	175	C542	180	C552	178
C493	180	C503	182	C513	180	C523	178	C533	175	C543	180	C553	178
C494	180	C504	180	C514	182	C524	178	C534	180	C544	180	C554	178
C495	182	C505	182	C515	180	C525	182	C535	180	C545	180	C555	178
C496	182	C506	180	C515	183	---	---	C536	180	C546	180	C556	178
C497	180	C507	178	---	---	C527	175	C537	180	C547	180	C557	178
C498	180	C508	180	---	---	C528	175	C538	182	---	---	C558	178
C499	182	C509	180	---	---	C529	175	C539	182	C549	180	C559	178
C500	182	C510	182	C520	182	C530	175	C540	180	C550	180	C560	178

### CAPACITOR

SYMBOL NO.	INDEX NO.	SYMBOL NO.	INDEX NO.	SYMBOL NO.	INDEX NO.	SYMBOL NO.	INDEX NO.	SYMBOL NO.	INDEX NO.	SYMBOL NO.	INDEX NO.	SYMBOL NO.	INDEX NO.
C561	178	C571	178	C581	178	---	---	C601	182	CN501	108	CN511	117
---	---	C572	180	C582	180	C592	182	---	---	---	---	CN512	107
C563	182	C573	178	C583	180	C593	232	---	---	CN503	106	CN513	104
C564	178	C574	178	C584	180	C594	182	---	---	CN504	113	---	---
C565	182	C575	180	C585	182	C595	180	---	---	CN505	112	---	---
C566	173	C576	178	C586	182	---	---	---	---	CN506	111	---	---
C567	173	C577	178	C587	180	C597	180	C607	183	---	---	---	---
C568	173	C578	178	C588	182	C598	182	C608	180	---	---	---	---
C569	180	C579	178	---	---	C599	180	---	---	---	---	---	---
C570	182	C580	180	---	---	---	---	---	---	CN510	123	CN520	105

### CONNECTOR

### 39.BICU Board (B230/B237)

#### CONNECTOR

SYMBOL NO.	INDEX NO.
CN521	115
CN522	116
CN523	114
CN524	103
---	---
---	---
---	---
---	---
---	---
CN530	109

SYMBOL NO.	INDEX NO.
CN531	122
CN532	121
CN533	120
---	---
---	---
---	---
---	---
---	---
---	---
CN540	102

SYMBOL NO.	INDEX NO.
CN541	119
CN542	110
CN543	124
CN544	124
CN545	118

#### DIODE

SYMBOL NO.	INDEX NO.
D101	130
D102	130
---	---
D104	130
---	---
---	---
D106	130
D107	130
D108	130

#### FILTER

SYMBOL NO.	INDEX NO.
FIL106	195
FIL107	195
FIL108	195
FIL109	195

#### FUSE

SYMBOL NO.	INDEX NO.
FU101	126
FU102	126

#### IC

SYMBOL NO.	INDEX NO.
IC1	134
IC2	151
---	---
---	---
---	---
---	---
---	---
---	---
---	---
---	---

#### IC

SYMBOL NO.	INDEX NO.
---	---
IC102	148
---	---
---	---
IC105	141
---	---
IC106	140
IC107	141
IC108	140
IC109	141
IC110	141

SYMBOL NO.	INDEX NO.
IC111	139
IC112	136
IC113	139
IC114	137
IC115	234
---	---
IC116	136
IC117	4
IC118	125
IC119	160
IC120	140

SYMBOL NO.	INDEX NO.
IC121	142
IC122	150
---	---
IC124	150
IC125	143
---	---
---	---
IC127	1
IC128	143
IC129	137
---	---

SYMBOL NO.	INDEX NO.
---	---
IC132	145
IC133	152
---	---
IC135	153
---	---
---	---
---	---
---	---
IC139	157
IC140	146

SYMBOL NO.	INDEX NO.
IC141	149
IC142	146
IC143	144
IC144	2
---	---
---	---
---	---
---	---
---	---
IC149	147
IC150	3

SYMBOL NO.	INDEX NO.
IC151	133
IC152	138
IC153	135
---	---
---	---
---	---
IC156	143
IC156	158
---	---
---	---
---	---
---	---

SYMBOL NO.	INDEX NO.
IC230	137

#### LED

SYMBOL NO.	INDEX NO.
L101	196
L102	196
L103	196
L104	196

### 39.BICU Board (B230/B237)

#### LED

SYMBOL NO.	INDEX NO.
LED101	131
LED102	132

#### OSC

SYMBOL NO.	INDEX NO.
OSC101	161
OSC102	162

#### Q

SYMBOL NO.	INDEX NO.
Q101	128
Q102	128
Q103	129
Q104	129
Q105	129
Q106	127

#### RESISTOR

SYMBOL NO.	INDEX NO.
R1	217
R2	217
R3	217
R4	217
R5	208
R6	208
R7	211
R8	205
R9	205
R10	205

SYMBOL NO.	INDEX NO.
R11	223
---	---
---	---
---	---
R15	209
---	---
---	---
---	---
---	---
---	---

SYMBOL NO.	INDEX NO.
R31	206
R32	223
R33	223
R34	223
R35	223
R36	207
R37	222
R38	222
R39	222
R40	222

SYMBOL NO.	INDEX NO.
R101	210
R102	215
R103	231
R104	231
R105	231
R106	231
R107	231
R108	231
R109	231
R110	231

#### RESISTOR

SYMBOL NO.	INDEX NO.
R111	231
R112	231
R113	231
R114	231
R115	231
R116	231
R117	210
R118	215
R119	214
R120	226

SYMBOL NO.	INDEX NO.
---	---
R122	226
---	---
R124	210
R125	210
R126	223
R127	223
R128	223
R129	226
---	---

SYMBOL NO.	INDEX NO.
R131	226
---	---
R133	226
---	---
R135	210
R136	209
R137	225
R138	225
R138	223
---	---
R140	225

SYMBOL NO.	INDEX NO.
R141	223
R142	223
R143	209
R144	223
R145	223
R146	215
R147	208
R148	208
R149	215
R150	208

SYMBOL NO.	INDEX NO.
R151	223
R152	205
R153	226
R154	226
R155	226
R156	226
R157	205
R158	205
R159	205
---	---

SYMBOL NO.	INDEX NO.
R161	205
R162	205
R163	218
R164	218
R165	223
R166	215
R167	210
R168	223
R169	210
R170	223

SYMBOL NO.	INDEX NO.
R171	205
R172	209
---	---
---	---
R175	209
R176	223
R177	223
R178	223
---	---
---	---



### 39.BICU Board (B230/B237)

#### RESISTOR

SYMBOL NO.	INDEX NO.	SYMBOL NO.	INDEX NO.	SYMBOL NO.	INDEX NO.	SYMBOL NO.	INDEX NO.	SYMBOL NO.	INDEX NO.	SYMBOL NO.	INDEX NO.		
R181	226	R191	210	R201	210	R211	213	R221	209	R231	230	R241	209
R182	206	R192	206	R202	210	R212	213	R222	210	R232	229	R242	223
R183	210	R193	226	R203	206	R213	213	R223	223	R233	209	R243	210
R184	209	R194	223	R204	206	R214	213	R224	226	R234	208	R244	229
R185	209	---	---	R205	206	R215	208	R225	226	R235	213	R245	230
R186	209	R196	205	---	---	R216	226	R226	226	R236	213	R246	227
R187	205	---	---	R207	205	R217	226	R227	226	R237	213	R247	227
R188	223	R198	212	---	---	R218	226	R228	210	R238	213	R248	210
R189	223	R199	209	---	---	R219	226	R229	227	R239	208	R249	227
R190	223	R200	223	R210	208	R220	209	R230	227	R240	209	R250	227

#### RESISTOR

SYMBOL NO.	INDEX NO.	SYMBOL NO.	INDEX NO.	SYMBOL NO.	INDEX NO.	SYMBOL NO.	INDEX NO.	SYMBOL NO.	INDEX NO.	SYMBOL NO.	INDEX NO.	SYMBOL NO.	INDEX NO.
R251	230	R261	209	R271	223	R281	226	---	---	R311	210	R321	209
R252	209	R262	214	R272	223	R282	226	---	---	R312	210	R322	210
---	---	R263	204	R273	223	R283	205	R293	209	R313	216	R323	210
R254	229	R264	209	R274	223	R284	205	R294	219	R314	217	R324	208
R255	223	R265	220	R275	223	R285	229	---	---	R315	226	---	---
R256	227	R266	210	R276	223	R286	230	---	---	R316	221	---	---
R257	227	R267	223	R277	223	R287	227	R307	223	R317	221	R327	209
R258	204	R268	223	R278	223	R288	227	R308	223	R318	221	R328	210
R259	223	R269	223	R279	226	R289	210	R309	223	R319	206	R329	226
R260	209	R270	223	R280	226	---	---	R310	223	---	---	R330	210

## 39.BICU Board (B230/B237)

### RESISTOR

SYMBOL NO.	INDEX NO.	SYMBOL NO.	INDEX NO.	SYMBOL NO.	INDEX NO.	SYMBOL NO.	INDEX NO.	SYMBOL NO.	INDEX NO.	SYMBOL NO.	INDEX NO.	SYMBOL NO.	INDEX NO.
R331	209	R341	209	R351	223	---	---	R371	209	R381	206	---	---
R332	210	R342	223	R352	223	---	---	R372	223	R382	223	R392	210
R333	223	R343	227	R353	223	---	---	R373	205	R383	227	R393	206
R334	209	R344	223	R354	223	---	---	R374	205	R384	206	R394	226
R335	210	R345	227	R355	223	R365	210	R375	205	R385	206	R395	210
R336	209	R346	223	R356	223	R366	210	R376	227	R386	227	R396	223
R337	206	R347	223	R357	223	R367	228	R377	227	R387	206	---	---
R338	209	R348	223	R358	227	---	---	R378	210	R388	223	R398	210
R339	210	R349	223	R359	227	R369	205	R379	206	R389	223	R399	223
R340	209	R350	219	R360	205	R370	206	R380	223	R390	206	R400	209

### RESISTOR

SYMBOL NO.	INDEX NO.	SYMBOL NO.	INDEX NO.	SYMBOL NO.	INDEX NO.	SYMBOL NO.	INDEX NO.	SYMBOL NO.	INDEX NO.	SYMBOL NO.	INDEX NO.	SYMBOL NO.	INDEX NO.
R401	205	R411	223	R421	226	R431	226	REG101	159	RN101	198	RN111	197
R402	214	---	---	R422	226	R432	210	REG102	155	RN102	199	RN112	199
R403	214	R413	226	R423	226	R433	210	---	---	RN103	201	RN113	168
---	---	---	---	R424	226	R434	226	REG104	156	RN104	167	RN114	199
---	---	R415	214	R425	223	R435	219	REG105	155	---	---	---	---
---	---	R416	210	R426	223	R436	210	REG106	154	RN106	197	RN116	199
---	---	R417	215	R427	224	R437	210	REG107	156	RN107	199	RN117	199
R408	206	R418	214	R428	223	R438	215			RN108	197	RN118	163
R409	206	R419	210	R429	224					RN109	167	RN119	168
R410	206	R420	215	R430	224					RN110	197	RN120	199

### 39.BICU Board (B230/B237)

#### RN

SYMBOL NO.	INDEX NO.	SYMBOL NO.	INDEX NO.	SYMBOL NO.	INDEX NO.	SYMBOL NO.	INDEX NO.	SYMBOL NO.	INDEX NO.	SYMBOL NO.	INDEX NO.	SYMBOL NO.	INDEX NO.
RN121	199	RN131	167	RN141	199	RN151	167	RN161	199	RN171	166	RN181	200
RN122	199	RN132	199	RN142	199	RN152	167	RN162	199	RN172	164	RN182	200
RN123	199	RN133	199	RN143	199	RN153	199	RN163	198	RN173	200	RN183	200
RN124	199	RN134	199	RN144	199	---	---	RN164	203	RN174	200	RN184	200
RN125	199	RN135	199	RN145	199	RN155	199	RN165	167	RN175	164	---	---
RN126	199	RN136	199	RN146	167	RN156	199	---	---	RN176	200	---	---
RN127	167	RN137	198	---	---	RN157	199	RN167	167	RN177	200	---	---
RN128	165	RN138	198	RN148	167	RN158	199	RN168	167	RN178	200	---	---
RN129	165	RN139	199	RN149	199	RN159	199	RN169	167	RN179	164	---	---
RN130	165	RN140	199	---	---	RN160	199	RN170	168	RN180	164	---	---

#### RN

SYMBOL NO.	INDEX NO.	SYMBOL NO.	INDEX NO.	SYMBOL NO.	INDEX NO.	SYMBOL NO.	INDEX NO.	SYMBOL NO.	INDEX NO.	SYMBOL NO.	INDEX NO.	SYMBOL NO.	INDEX NO.
---	---	RN201	163	RN211	167	RN221	199	RN231	198	RN241	163	TP102	101
---	---	RN202	199	RN212	199	RN222	199	RN232	163	RN242	198	TP103	101
---	---	RN203	199	RN213	199	RN223	199	RN233	201	RN243	198	TP104	101
RN194	163	RN204	199	RN214	199	RN224	163	RN234	202	RN244	198	TP122	101
RN195	199	RN205	199	RN215	199	RN225	167	RN235	167	RN245	167	TP123	101
RN196	199	RN206	167	RN216	163	RN226	167	RN236	199	RN246	199	TP125	101
RN197	199	RN207	199	RN217	199	RN227	198	RN237	199	RN247	168	TP126	101
RN198	199	RN208	199	RN218	167	RN228	198	RN238	198	---	---	TP145	101
RN199	199	RN209	199	RN219	199	RN229	198	RN239	198	---	---	TP146	101
RN200	167	RN210	202	RN220	163	RN230	198	RN240	198	---	---	TP147	101
												TP148	101

#### TP

### 39.BICU Board (B230/B237)

Index No.	Part No.	Description	Q'ty Per Assembly
*	B238 5100	PCB:BICU:AT-C1:Ass'y	1
1	B101 5160	IC:MB87M1480175	1
2	B188 5350	LSI:MB87M4290	1
3	B238 5501	IC:STRIX	1
4	B238 5508	IC:S29GL032M90TFIR40	1

Index No.	Part No.	Description	Q'ty Per Assembly
101	1100 1475	Test Pin	
102	1102 4203	CT Header - 4P	
103	1102 4211	CT Header - 12P	
104	1102 4464	CT Header(h) - 6P	
105	1102 6298	Connector - 5P	
106	1102 6343	Connector 12p	
107	1102 6365	Connector - 53325-0663	
108	1102 6403	Connector - 30P	
109	1102 6594	Connector - 10P	
110	1102 8358	Connector - WR-100P-VF60-1	
111	1102 8478	Connector - 55447-1410	
112	1102 8480	Connector - 55447-1610	
113	1102 8560	Connector - KX14-60K5D1E	
114	1102 8781	Connector - 1-292207-2	
115	1102 9115	Connector - 1-292207-4	
116	1102 9116	Connector - 353297-5	
117	1102 9606	Connector - 200RS-JUK-GB	
118	1103 3158	Connector - FH12-10S-0.5SV(89)	
119	1103 3175	Connector - FH12-40S-0.5SV(89)	
120	1103 3177	Connector - FH12-45S-0.5SV(89)	
121	1103 3179	Connector:FH12-50S-0.5SV(89)	
122	1103 3207	Connector - FH12-36S-0.5SH(89)	
123	1103 3519	Connector - KX24-140R-6ST-N1	
124	1103 3806	Connector - WR-70P-VF60-N1	
125	1104 0764	IC Socket - 8 PIN	
126	1107 1107	Fuse - CCP2E100TBK	
127	1400 0911	Transistor - DTC144TE	
128	1400 1167	Transistor - SRC1210UF	
129	1400 1170	Transistor - SRC1206UF	
130	1402 1911	Diode - SDS511	
131	1403 1265	LED - KPT-1608SGC	
132	1403 1266	LED - KPT-1608EC	
133	1407 5334	IC - CMOS LOGIC 74LVC244A TSSOP	
134	1407 5344	IC - SN74LV02APW	
135	1407 5347	IC - SN74LV08APW	

Index No.	Part No.	Description	Q'ty Per Assembly
136	1407 5392	IC:SN74LV541APW	
137	1407 5463	IC - SN74LV245APW	
138	1407 5476	CMOS Logic - SN74AHC2G125HDCT	
139	1407 5633	IC - SN74LV574APW	
140	1407 5713	IC:SN74LV06APW	
141	1407 5734	CMOS Logic - SN74ALVC245PW	
142	1407 5927	CMOS Logic - SN74LVC1G14DCK	
143	1407 6100	IC:SN74LVC1G04DCK	
144	1407 6101	IC - SN74LVC2G17DCK	
145	1407 6166	IC - ESOC	
146	1407 6187	CMOS Logic - SN74LVC1G07DCK	
147	1407 6229	CMOS Logic - SN74LVCZ244APW	
148	1407 6232	LVDS - THC63LVD104A	
149	1407 6447	Custom IC - GAVD Type-W	
150	1407 6466	Field Memory - 3MX12 3.3V	
151	1407 6545	Custom IC - RB5C661	
152	1407 6568	Clock Generator - ICS7152M-11LF	
153	1408 1653	Opeamp - LMV324IPW	
154	1408 1669	Series Regulator:R1170H331B	
155	1408 1850	Regulator - R1170h181b	
156	1408 2236	Regulator - BH18FB1WG	
157	1408 2304	Reset IC - BU4226FVE	
158	1408 2305	Reset IC - BU4242FVE	
159	1408 2321	Regulator - R1172H121B-FB	
160	1408 2376	Swithing Regulator Modele:H8D3243A	
161	1503 0906	Crystal Oscillator - 28.224Mhz	
162	1503 1215	Crystal Oscilator - 17.5Mhz	
163	1601 7887	Resistor Array - 10K $\Omega$ $\pm$ 5% 1/32W	
164	1601 7896	Resistor Array - 56 $\Omega$ $\pm$ 5% 1/32W	
165	1601 7898	Resistor Array	
166	1601 7900	Resistor Array - 0 $\Omega$ $\pm$ 5%	
167	1601 7943	Resistor Array - 68 $\Omega$ $\pm$ 5% 1/32W	
168	1601 7959	Resistor	
169	1604 2114	Capacitor:47micro-f:50V	
170	1604 4925	Resistor - 100 $\mu$ F $\pm$ 20% 10V	

Index No.	Part No.	Description	Q'ty Per Assembly
171	1604 5508	Capacitor - 270UF: $\pm$ 20%:50V	
172	1604 5509	Capacitor - 150UF: $\pm$ 20%:20V	
173	1605 1137	Capacitor - 470pF $\pm$ 10% 50V	
174	1605 1148	Capacitor - 0.1 $\mu$ F+80-20% 50V	
175	1605 1200	Capacitor - 10PF $\pm$ 0.5pF 50V	
176	1605 1201	Capacitor - 12pF $\pm$ 5% 50V	
177	1605 1202	Capacitor - 15pF $\pm$ 5% 50V	
178	1605 1206	Capacitor - 47pF $\pm$ 5% 50V	
179	1605 1208	Capacitor:100pF: $\pm$ 5%:50V	
180	1605 1212	Capacitor - 470pF $\pm$ 10% 50V	
181	1605 1216	Capacitor - 2200pF $\pm$ 10%50V	
182	1605 1221	Capacitor - 0.1 UF+80-20%16V	
183	1605 1240	Capacitor - 0.01 $\mu$ F $\pm$ 10% 25V	
184	1605 1285	Capacitor - 3300pF $\pm$ 10% 50V	
185	1605 1288	Capacitor - 220pF $\pm$ 5% 50V	
186	1605 1295	Capacitor:10uf:+80-20%:10V	
187	1605 1296	Capacitor - 330pF $\pm$ 10% 50V	
188	1605 1301	Capacitor-6800pF $\pm$ 10% 50V	
189	1605 1305	Capacitor - 1 $\mu$ F+80-20% 6.3V	
190	1605 1344	Capacitor - 33pF $\pm$ 5% 50V	
191	1605 1430	Resistor - 1 $\mu$ F+80-20% 50V	
192	1605 1447	Resistor - 470pF $\pm$ 5% 50V	
193	1605 1583	Capacitor - 0.1UF: $\pm$ 10%:16V	
194	1605 1620	CAPACITOR:47UF: $\pm$ 20%:4V	
195	1607 1482	Filter - MMZ1608S121A	
196	1607 1629	Coil - DLW21HN900SQ2B	
197	1609 0005	Registor:33 $\Omega$ : $\pm$ 5%:1/16W	
198	1609 0006	Registor:10k $\Omega$ : $\pm$ 5%:1/16W	
199	1609 0007	Resistor - 68 $\Omega$ $\pm$ 5% 1/16W	
200	1609 0016	Registor:56 $\Omega$ : $\pm$ 5%:1/16W	
201	1609 0018	Registor:2.2k $\Omega$ : $\pm$ 5%:1/16W	
202	1609 0019	Registor:0 $\Omega$ :1608	
203	1609 0094	Resistor - 180 $\Omega$ $\pm$ 5% 1/16W	
204	1610 1427	Resistor - 15 $\Omega$ $\pm$ 5% 1W	
205	1633 0000	Resistor - 0 $\Omega$ 1/10W	

Index No.	Part No.	Description	Q'ty Per Assembly
206	1634 0000	Resistor - 0 $\Omega$ 1/16W	
207	1650 2910	Resistor - 91 $\Omega$ $\pm$ 5% 1/4W	
208	1650 5101	Chip Resistor - 100 $\Omega$ $\pm$ 5%1/16W	
209	1650 5102	Chip Resistor - 1k $\Omega$ $\pm$ 5%1/16W	
210	1650 5103	Chip Resistor - 10k $\Omega$ $\pm$ 5%1/16W	
211	1650 5104	Chip Resistor - 100k $\Omega$ $\pm$ 5%1/16W	
212	1650 5105	Chip Resistor - 1m $\Omega$ $\pm$ 5%1/16W	
213	1650 5152	Chip Resistor:1.5k $\Omega$ : $\pm$ 5%:1/16W	
214	1650 5221	Chip Resistor - 220 $\Omega$ $\pm$ 5%1/16W	
215	1650 5222	Resistor - 2.2K $\Omega$ $\pm$ 5% 1/16W	
216	1650 5244	Resistor:240k $\Omega$ : $\pm$ 5%:1/16w:1005	
217	1650 5330	Chip Resistor - 33 $\Omega$ $\pm$ 5%1/16W	
218	1650 5331	Resistor - 330 $\Omega$ $\pm$ 5% 1/16W	
219	1650 5332	Resistor - 3.3K $\Omega$ $\pm$ 5% 1/16W	
220	1650 5472	Chip Resistor:4.7k $\Omega$ : $\pm$ 5%:1/16W	
221	1650 5560	Chip Resistor 56 $\Omega$ $\pm$ 5% 1/16W	
222	1650 5621	Chip Resistor 620 $\Omega$ $\pm$ 5% 1/16W	
223	1650 5680	Resistor - 68 $\Omega$ $\pm$ 5% 1/16W	
224	1654 2201	Resistor - 2.2K $\Omega$ $\pm$ 1% 1/10W 1608	
225	1654 3301	Resistor - 3.3K $\Omega$ $\pm$ 1% 1/10W	
226	1655 0000	Chip Resistor - 0 $\Omega$ $\pm$ 0%1/16W	
227	1655 1000	Chip Resistor:100 $\Omega$ : $\pm$ 1%:1/16W	
228	1655 2000	Resistor - 200 $\Omega$ $\pm$ 1% 1/16W	
229	1655 4700	Resistor - 470 $\Omega$ $\pm$ 1% 1/16W	
230	1655 4701	Chip Resistor - 4.7k $\Omega$ $\pm$ 1%1/16W	
231	1655 5109	Resistor - 51 $\Omega$ $\pm$ 1% 1/16W	
232	1660 4103	Capacitor - 10000pF - $\pm$ 10% - 50V	
233	1660 4222	Capacitor - 2200pF - $\pm$ 10% - 50V	
234	1902 0069	SRAM - 4MX16 3.3V G1	

Index No.	Part No.	Description	Q'ty Per Assembly

## 40.IOB Board (B230/B237)

### CAPACITOR

SYMBOL NO.	INDEX NO.	SYMBOL NO.	INDEX NO.	SYMBOL NO.	INDEX NO.	SYMBOL NO.	INDEX NO.	SYMBOL NO.	INDEX NO.	SYMBOL NO.	INDEX NO.	SYMBOL NO.	INDEX NO.
C1	230	C11	230	---	---	C31	166	C41	166	---	---	C71	230
C2	230	C12	230	---	---	---	---	C42	235	---	---	C72	230
C3	230	C13	230	---	---	C33	231	---	---	C63	231	C73	230
C4	230	C14	230	---	---	C34	163	C44	233	C64	231	C74	230
C5	230	C15	230	C25	184	C35	166	C45	235	C65	235	C75	230
C6	230	C16	230	C26	183	C36	166	C46	235	C66	231	---	---
C7	230	C17	162	C27	183	C37	166	C47	231	C67	235	---	---
C8	230	---	---	---	---	C38	166	C48	231	---	---	---	---
C9	230	C19	185	---	---	C39	166	C49	231	C69	163	C79	228
C10	230	---	---	C30	183	C40	166	C50	163	C70	163	C80	228

### CAPACITOR

SYMBOL NO.	INDEX NO.	SYMBOL NO.	INDEX NO.	SYMBOL NO.	INDEX NO.	SYMBOL NO.	INDEX NO.	SYMBOL NO.	INDEX NO.	SYMBOL NO.	INDEX NO.	SYMBOL NO.	INDEX NO.
C81	163	C91	229	C101	235	---	---	C121	166	---	---	C141	230
C82	163	C92	229	C102	185	---	---	C122	166	C132	163	C142	230
C83	163	---	---	C103	167	---	---	---	---	---	---	C143	230
C84	229	---	---	C104	165	---	---	---	---	---	---	C144	231
C85	163	C95	231	---	---	C115	185	---	---	---	---	C145	231
C86	229	C96	231	C106	185	C116	165	C126	230	C136	163	---	---
C87	163	C97	166	---	---	C117	227	C127	230	C137	230	C147	235
C88	163	C98	166	---	---	C118	227	C128	230	C138	230	---	---
C89	229	C99	235	---	---	C119	166	C129	230	C139	230	---	---
C90	229	C100	235	---	---	C120	166	C130	230	C140	230	---	---

## 40.IOB Board (B230/B237)

### CAPACITOR

SYMBOL NO.	INDEX NO.	SYMBOL NO.	INDEX NO.	SYMBOL NO.	INDEX NO.	SYMBOL NO.	INDEX NO.	SYMBOL NO.	INDEX NO.	SYMBOL NO.	INDEX NO.	SYMBOL NO.	INDEX NO.
---	---	---	---	---	---	---	---	---	---	C201	233	---	---
C152	235	---	---	C172	231	C182	230	C192	233	C202	235	C212	234
C153	164	C163	164	---	---	C183	230	C193	235	C203	235	---	---
C154	163	C164	231	---	---	C184	230	C194	233	C204	235	C214	234
---	---	C165	163	---	---	C185	230	C195	235	C205	235	C215	230
---	---	C166	227	---	---	C186	230	C196	235	C206	233	C216	235
---	---	C167	227	---	---	C187	230	C197	233	C207	233	C217	235
C158	164	C168	227	---	---	---	---	C198	235	C208	233	C218	235
---	---	C169	227	---	---	---	---	C199	235	---	---	C219	232
---	---	C170	164	C180	231	---	---	C200	233	---	---	C220	232

### CAPACITOR

SYMBOL NO.	INDEX NO.	SYMBOL NO.	INDEX NO.	SYMBOL NO.	INDEX NO.	SYMBOL NO.	INDEX NO.	SYMBOL NO.	INDEX NO.	SYMBOL NO.	INDEX NO.	SYMBOL NO.	INDEX NO.
C221	232	C231	234	C241	230	C251	233	C261	233	C271	163	C281	235
C222	232	C232	234	C242	230	C252	235	---	---	---	---	C282	164
C223	232	C233	234	C243	230	C253	235	---	---	---	---	---	---
C224	232	C234	235	C244	230	C254	233	---	---	C274	163	---	---
C225	232	C235	235	C245	230	C255	235	---	---	C275	163	---	---
C226	232	C236	235	C246	233	C256	233	---	---	C276	235	---	---
C227	234	C237	235	C247	235	C257	235	---	---	---	---	C287	164
C228	234	C238	235	C248	233	C258	235	C268	163	---	---	C288	164
C229	234	C239	235	C249	235	C259	233	C269	163	---	---	C289	235
C230	234	C240	235	C250	235	C260	235	C270	163	---	---	C290	235



## 40.IOB Board (B230/B237)

### CAPACITOR

SYMBOL NO.	INDEX NO.	SYMBOL NO.	INDEX NO.	SYMBOL NO.	INDEX NO.	SYMBOL NO.	INDEX NO.	SYMBOL NO.	INDEX NO.	SYMBOL NO.	INDEX NO.	SYMBOL NO.	INDEX NO.
C291	164	C301	235	---	---	C321	230	C331	164	C341	164	C351	229
C292	235	C302	235	---	---	C322	164	C332	234	---	---	C352	231
C293	235	C303	231	---	---	C323	164	C333	164	---	---	C353	231
C294	164	C304	231	---	---	C324	235	---	---	C344	164	C354	164
C295	235	C305	231	---	---	C325	235	---	---	---	---	C355	229
C296	164	C306	231	C316	164	---	---	---	---	---	---	C356	229
---	---	C307	231	---	---	C327	235	C337	164	---	---	C357	229
C298	235	---	---	C318	230	C328	235	C338	164	---	---	C358	229
---	---	---	---	C319	230	C329	164	C339	164	C349	235	C359	229
---	---	---	---	C320	230	C330	164	C340	164	---	---	---	---

### CAPACITOR

SYMBOL NO.	INDEX NO.
C361	164
C362	164
C363	164
C364	235
C365	235
C366	234
---	---
C368	163

### CA

SYMBOL NO.	INDEX NO.
CA2	168

### CONNECTOR

SYMBOL NO.	INDEX NO.	SYMBOL NO.	INDEX NO.	SYMBOL NO.	INDEX NO.	SYMBOL NO.	INDEX NO.	SYMBOL NO.	INDEX NO.	SYMBOL NO.	INDEX NO.
CN201	102	CN211	116	---	---	CN251	112	CN281	110		
CN202	120	CN212	105	CN232	114	CN252	106	CN282	111		
---	---	CN213	110	CN233	121	CN253	104	CN283	113		
CN204	117	CN214	124	CN234	108	CN254	109	CN284	124		
---	---	CN215	115	CN235	118	---	---	CN285	121		
CN206	126	CN216	123	---	---	---	---	CN286	119		
---	---	CN217	125	---	---	CN257	122	---	---		
---	---	CN218	107	---	---	---	---	---	---		
---	---	---	---	---	---	---	---	---	---		
---	---	---	---	---	---	CN260	103	---	---		

## 40.IOB Board (B230/B237)

### DIODE

SYMBOL NO.	INDEX NO.
D1	141
---	---
---	---
---	---
---	---
---	---
D8	141
D9	141
D10	141

SYMBOL NO.	INDEX NO.
D11	141
D12	141
D13	141
D14	141
---	---
---	---
D17	141

### FIL

SYMBOL NO.	INDEX NO.
FIL1	170
FIL2	170

### IC

SYMBOL NO.	INDEX NO.
IC1	146
IC2	151
IC3	150
IC4	149
IC5	147
---	---
IC6	152
IC7	130
IC8	154
IC9	154
IC10	144

SYMBOL NO.	INDEX NO.
IC11	1
IC12	155
IC13	144
---	---
IC15	1
---	---
---	---
IC18	145
IC19	144
IC20	144

SYMBOL NO.	INDEX NO.
IC21	144
IC22	145
IC23	148
IC24	147
IC25	145
---	---
IC26	145
IC27	152
IC28	145

### L

SYMBOL NO.	INDEX NO.
L1	169
L2	169

### LED

SYMBOL NO.	INDEX NO.
LED1	142
LED2	143

### Q

SYMBOL NO.	INDEX NO.
OSC1	156

### Q

SYMBOL NO.	INDEX NO.
Q1	135
Q2	128
Q3	134
Q4	134
Q5	134
---	---
Q6	134
Q7	134
Q8	134
Q9	134
Q10	131

SYMBOL NO.	INDEX NO.
Q11	132
Q12	133
Q13	135
Q14	133
---	---
---	---
Q17	138
---	---
---	---
Q20	128

SYMBOL NO.	INDEX NO.
Q21	135
Q22	137
Q23	136
Q24	136
Q25	136
---	---
Q26	136
Q27	135
Q28	135
Q29	135
Q30	135

SYMBOL NO.	INDEX NO.
Q31	135
Q32	135
Q33	135
Q34	129
Q35	135
---	---
---	---
Q37	135
Q38	135

### RESISTOR

SYMBOL NO.	INDEX NO.
R1	179
R2	179
R3	202
R4	211
R5	211
---	---
R6	211
R7	191
R8	192
R9	159
R10	158

SYMBOL NO.	INDEX NO.
R11	161
R12	157
R13	192
R14	191
R15	181
---	---
R16	182
R17	211
R18	205
R19	187
R20	192

## 40.IOB Board (B230/B237)

### RESISTOR

SYMBOL NO.	INDEX NO.	SYMBOL NO.	INDEX NO.	SYMBOL NO.	INDEX NO.	SYMBOL NO.	INDEX NO.	SYMBOL NO.	INDEX NO.	SYMBOL NO.	INDEX NO.		
R21	204	R31	219	R41	188	R51	204	R61	189	R71	182	R81	191
R22	192	R32	219	R42	188	R52	196	R62	194	R72	192	R82	191
R23	192	R33	186	R43	192	R53	191	---	---	R73	182	R83	191
R24	191	R34	186	---	---	R54	192	R64	204	R74	192	R84	196
R25	193	R35	186	---	---	R55	191	---	---	R75	191	R85	192
R26	219	R36	186	---	---	R56	160	---	---	R76	211	R86	198
R27	219	R37	186	---	---	R57	193	R67	182	R77	211	R87	198
R28	219	R38	186	---	---	R58	192	R68	189	R78	205	R88	192
R29	219	R39	186	R49	204	---	---	R69	204	R79	205	R89	191
R30	219	R40	192	R50	204	---	---	R70	204	R80	205	R90	182

### RESISTOR

SYMBOL NO.	INDEX NO.	SYMBOL NO.	INDEX NO.	SYMBOL NO.	INDEX NO.	SYMBOL NO.	INDEX NO.	SYMBOL NO.	INDEX NO.	SYMBOL NO.	INDEX NO.		
R91	191	---	---	---	---	R121	192	R131	191	---	---	R151	214
R92	192	---	---	R112	192	R122	192	R132	192	---	---	R152	204
R93	191	---	---	R113	192	R123	191	R133	192	---	---	R153	204
R94	192	R104	189	R114	192	R124	192	R134	191	---	---	R154	201
R95	204	R105	191	---	---	R125	191	---	---	R145	206	R155	201
R96	204	R106	204	R116	182	R126	191	---	---	R146	191	R156	192
---	---	---	---	R117	182	R127	192	---	---	R147	191	R157	192
R98	204	R108	182	R118	218	R128	192	---	---	R148	212	R158	192
---	---	---	---	R119	207	R129	204	---	---	R149	214	R159	192
R100	192	---	---	---	---	R130	191	---	---	R150	212	R160	204

## 40.IOB Board (B230/B237)

### RESISTOR

SYMBOL NO.	INDEX NO.	SYMBOL NO.	INDEX NO.	SYMBOL NO.	INDEX NO.	SYMBOL NO.	INDEX NO.	SYMBOL NO.	INDEX NO.	SYMBOL NO.	INDEX NO.		
R161	161	R171	191	R181	197	R191	191	R201	192	R211	203	R221	190
R162	161	---	---	R182	190	R192	204	R202	192	R212	203	R222	192
R163	161	---	---	R183	193	R193	182	R203	191	R213	203	R223	191
---	---	---	---	R184	192	R194	198	R204	192	R214	196	R224	204
---	---	---	---	R185	191	R195	192	R205	204	R215	196	R225	192
---	---	R176	193	R186	192	R196	198	R206	192	R216	196	R226	223
---	---	R177	192	R187	191	R197	193	R207	182	R217	196	R227	191
R168	180	R178	188	R188	192	R198	192	R208	191	R218	190	R228	192
R169	195	R179	190	R189	191	R199	182	R209	192	R219	190	R229	191
R170	192	R180	197	R190	192	R200	191	R210	182	R220	190	R230	192

### RESISTOR

SYMBOL NO.	INDEX NO.	SYMBOL NO.	INDEX NO.	SYMBOL NO.	INDEX NO.	SYMBOL NO.	INDEX NO.	SYMBOL NO.	INDEX NO.	SYMBOL NO.	INDEX NO.	SYMBOL NO.	INDEX NO.
R231	192	R241	189	R251	191	R261	192	R271	192	R281	193	R291	191
R232	192	R242	191	R252	191	R262	192	R272	204	R282	193	R292	204
R233	220	R243	192	R253	204	---	---	R273	192	R283	194	R293	219
R234	220	R244	191	R254	204	---	---	---	---	R284	215	R294	215
R235	220	R245	192	R255	192	R265	192	R275	192	R285	215	R295	191
R236	220	R246	198	R256	192	R266	192	R276	204	R286	215	R296	204
R237	216	R247	198	R257	192	R267	199	R277	204	R287	215	R297	200
R238	216	R248	192	R258	192	R268	199	R278	204	R288	215	---	---
R239	216	R249	192	---	---	---	---	R279	204	R289	215	R299	192
R240	216	R250	192	R260	204	---	---	R280	194	R290	215	R300	192

## 40.IOB Board (B230/B237)

### RESISTOR

SYMBOL NO.	INDEX NO.	SYMBOL NO.	INDEX NO.	SYMBOL NO.	INDEX NO.	SYMBOL NO.	INDEX NO.	SYMBOL NO.	INDEX NO.	SYMBOL NO.	INDEX NO.	SYMBOL NO.	INDEX NO.
R301	192	R311	210	R321	192	R331	191	R341	191	R351	191	---	---
R302	192	R312	211	R322	217	R332	192	R342	209	R352	192	---	---
R303	192	R313	192	R323	217	R333	224	R343	210	R353	191	R363	192
R304	192	R314	182	R324	217	R334	211	R344	222	R354	191	R364	191
R305	192	---	---	R325	192	R335	226	R345	221	R355	191	R365	192
---	---	R316	210	R326	191	R336	191	R346	225	R356	191	R366	192
R307	192	R317	211	R327	192	R337	192	R347	208	R357	191	R367	194
R308	160	R318	213	R328	191	R338	192	---	---	---	---	R368	193
R309	213	R319	213	R329	191	R339	192	---	---	---	---	---	---
R310	211	R320	192	R330	192	R340	191	---	---	---	---	---	---

### RESISTOR

SYMBOL NO.	INDEX NO.	SYMBOL NO.	INDEX NO.	SYMBOL NO.	INDEX NO.	SYMBOL NO.	INDEX NO.	SYMBOL NO.	INDEX NO.	SYMBOL NO.	INDEX NO.	SYMBOL NO.	INDEX NO.
---	---	R381	192	R391	191	REG1	153	RN1	175	---	---	RN21	175
---	---	R382	192	R392	202			RN2	173	---	---	RN22	175
---	---	R383	198	R393	202			RN3	175	---	---	RN23	173
---	---	R384	192	R394	202			RN4	174	---	---	RN24	173
---	---	R385	198	R395	191			RN5	174	---	---	RN25	175
---	---	R386	192	R396	191			RN6	174	---	---	RN26	173
---	---	R387	191	---	---			RN7	176	---	---	RN27	175
---	---	R388	182	---	---			RN8	176	---	---	RN28	173
R379	191	R389	161	R999	127			RN9	176	RN19	175	RN29	175
R380	191	R390	192					RN10	176	RN20	175	RN30	175

### REG

SYMBOL NO.	INDEX NO.
REG1	153

### RN

SYMBOL NO.	INDEX NO.	SYMBOL NO.	INDEX NO.	SYMBOL NO.	INDEX NO.	SYMBOL NO.	INDEX NO.
RN1	175	---	---	RN21	175		
RN2	173	---	---	RN22	175		
RN3	175	---	---	RN23	173		
RN4	174	---	---	RN24	173		
RN5	174	---	---	RN25	175		
RN6	174	---	---	RN26	173		
RN7	176	---	---	RN27	175		
RN8	176	---	---	RN28	173		
RN9	176	RN19	175	RN29	175		
RN10	176	RN20	175	RN30	175		

## 40.IOB Board (B230/B237)

### RN

SYMBOL NO.	INDEX NO.
RN31	173
RN32	173
RN33	173
RN34	176
RN35	178
RN36	178
RN37	171
RN38	178
RN39	178
RN40	175

SYMBOL NO.	INDEX NO.
RN41	175
RN42	175
RN43	172
RN44	177
RN45	173
RN46	175
RN47	175
RN48	171
RN49	174
RN50	176

SYMBOL NO.	INDEX NO.
RN51	172
RN52	176
RN53	176
RN54	175
RN55	172
---	---
RN57	176
---	---
RN59	176
RN60	176

SYMBOL NO.	INDEX NO.
RN61	176
RN62	175
RN63	175
RN64	175
RN65	175
RN66	173
RN67	175
---	---
RN69	175
RN70	175

SYMBOL NO.	INDEX NO.
RN71	175
RN72	175
RN73	176
RN74	176
RN75	173
RN76	175

### TP

SYMBOL NO.	INDEX NO.
TP10	101
TP11	101
TP12	101
TP13	101
TP14	101
TP15	101
TP16	101
---	---
TP18	101
TP19	101
TP20	101

SYMBOL NO.	INDEX NO.
---	---
---	---
TP23	101
TP24	101
TP25	101
TP26	101
---	---
TP28	101
TP29	101
TP30	101

### TP

SYMBOL NO.	INDEX NO.
TP31	101

### ZD

SYMBOL NO.	INDEX NO.
ZD7	139
ZD8	140

### 40.IOB Board (B230/B237)

Index No.	Part No.	Description	Q'ty Per Assembly
*	B238 5120	PCB IOB	1
1	B238 5503	IC:TRIO2	2

Index No.	Part No.	Description	Q'ty Per Assembly
101	1100 1475	Test Pin	
102	1102 6596	Connector	
103	1102 8468	Connector - 55447-041	
104	1102 8471	Connector - 55447-071	
105	1102 8473	Connector - 55447-0910	
106	1102 8477	Connector - 13P	
107	1102 8480	Connector - 55447-1610	
108	1102 8481	Connector - 55447-1760	
109	1102 8482	Connector - 55447-1810	
110	1102 8483	Connector:55447-1980	
111	1102 8484	Connector:55447-2080	
112	1102 8486	Connector - 55451-2410	
113	1102 8487	Connector - 55451-2610	
114	1102 8492	Connector - 55451-3610	
115	1102 8546	Connector - 1-353297-7	
116	1102 8553	Connector - 3-353308-6	
117	1102 8623	Connector:292207-2	
118	1102 8655	Connector - 9P 353297-9	
119	1102 8781	Connector - 1-292207-2	
120	1102 9116	Connector - 353297-5	
121	1102 9119	Connector:2-353297-0	
122	1102 9120	Connector - 2-292208-2	
123	1102 9121	Connector:2-353308-4	
124	1102 9124	Connector:3-353308-0	
125	1102 9125	Connector 3-292208-2	
126	1103 3179	Connector:FH12-50S-0.5SV(89)	
127	1107 1174	Fuse:451.125MRL	
128	1400 0571	Transistor - 2SA1577	
129	1400 0714	Transistor - 2SD1781KR	
130	1400 0783	Transistor - TD62064AF	
131	1400 0789	Transistor - IMT17	
132	1400 0796	Transistor - UMH10N	
133	1400 0997	Transistor - 2SB1690K	
134	1400 1164	Transistor:2SC5343UF	
135	1400 1171	Transistor:SRC1205UF	

Index No.	Part No.	Description	Q'ty Per Assembly
136	1400 1172	Transistor:SRA2205UF	
137	1401 0957	Transistor - DTB123YK	
138	1401 1205	FET:HAT1044M-E	
139	1402 1277	Diode - 12V500MW	
140	1402 1511	Zenerdiode - MTZJ13B	
141	1402 1911	Diode - SDS511	
142	1403 1265	LED - KPT-1608SGC	
143	1403 1266	LED - KPT-1608EC	
144	1407 2187	TTLIC:SN74LS07NS	
145	1407 2219	IC - TD62003AP	
146	1407 6077	IC:Stepping:STA7101M	
147	1407 6197	IC:M54563P	
148	1407 6314	Motor Control IC:TB6561NG	
149	1407 6450	Motor Control IC:SLA7072MR	
150	1407 6476	Motor Control IC:SLA7070MR	
151	1407 6477	Motor Control IC:SLA7071MR	
152	1408 1204	IC - TA8083P	
153	1408 1233	Regulator - LM1117MP-3.3	
154	1408 1550	IC - LM2902PW	
155	1408 2029	Comparator:LM2901PW	
156	1503 0784	Oscillator - MA-406 19.6608MHZ	
157	1601 5393	Resistor - 270 $\Omega$ $\pm$ 5% 2W	
158	1601 5398	Resistor:560 $\Omega$ : $\pm$ 5%:2W	
159	1601 5532	Resistor - 91 $\Omega$ $\pm$ 5% 2W	
160	1601 5616	Resistor:6.8 $\Omega$ : $\pm$ 5%:1W	
161	1601 5695	Resistor:68 $\Omega$ : $\pm$ 5%:2W	
162	1604 4802	Capacitor - 330 $\mu$ F $\pm$ 20% 35V	
163	1605 1137	Capacitor - 470pF $\pm$ 10% 50V	
164	1605 1148	Capacitor - 0.1 $\mu$ F+80-20% 50V	
165	1605 1206	Capacitor - 47pF $\pm$ 5% 50V	
166	1605 1240	Capacitor - 0.01 $\mu$ F $\pm$ 10% 25V	
167	1605 1303	Capacitor - 0.01 $\mu$ F+80-20% 50V	
168	1606 8042	Resistor Array - CKCA43CH1H470K	
169	1607 1267	Inductor - TSL0808-4R7M3R5-pF	
170	1607 1424	Filter:MMZ1608B601C	

Index No.	Part No.	Description	Q'ty Per Assembly
171	1609 0006	Resistor:10k $\Omega$ : $\pm$ 5%:1/16W	
172	1609 0007	Resistor - 68 $\Omega$ $\pm$ 5% 1/16W	
173	1609 0049	Resistor Array:1K $\Omega$ : $\pm$ 5%:1/16W:4NUMBER	
174	1609 0061	Resistor Array:4.7K $\Omega$ : $\pm$ 5%:1/16W:	
175	1609 0062	Resistor Array:10K $\Omega$ : $\pm$ 5%:1/16W:4	
176	1609 0065	Resistor Array:68 $\Omega$ : $\pm$ 5%:1/16W:4N	
177	1609 0066	Resistor Array:680 $\Omega$ : $\pm$ 5%:1/16W:4NUMBER	
178	1609 0071	Resistor Array:150K $\Omega$ : $\pm$ 5%:1/16W:4NUMBER	
179	1610 1771	Chip Resistor:1 $\Omega$ : $\pm$ 5%:1W:6332	
180	1611 9102	Resistor - 1K $\Omega$ 1/2W $\pm$ 5%	
181	1633 0000	Resistor - 0 $\Omega$ 1/10W	
182	1634 0000	Resistor - 0 $\Omega$ 1/16W	
183	1640 3101	Capacitor - 100 $\mu$ F $\pm$ 20% 35V	
184	1640 3331	Capacitor - 330 $\mu$ F $\pm$ 20% 35V	
185	1642 3100	Capacitor:10UF: $\pm$ 20%:35V	
186	1650 2680	Resistor - 68 $\Omega$ $\pm$ 5% 1/4W	
187	1650 3103	Chip Resistor - 10K $\Omega$ $\pm$ 5% 1/8W	
188	1650 3562	Resistor:5.6K $\Omega$ : $\pm$ 5%:1/8W	
189	1650 4100	Resistor - 10 $\Omega$ $\pm$ 5% 1/10W	
190	1650 4101	Resistor - 100 $\Omega$ $\pm$ 5%1/10W	
191	1650 4102	Resistor - 1K $\Omega$ $\pm$ 5% 1/10W	
192	1650 4103	Resistor - 10K $\Omega$ $\pm$ 5% 1/10W	
193	1650 4104	Resistor - 100K $\Omega$ $\pm$ 5%1/10W	
194	1650 4123	Resistor - 12K $\Omega$ $\pm$ 5%1/10W	
195	1650 4151	Resistor - 150 $\Omega$ $\pm$ 5%1/10W	
196	1650 4152	Resistor - 1.5K $\Omega$ $\pm$ 5% 1/10W	
197	1650 4162	Resistor - 1.6K $\Omega$ $\pm$ 5% 1/10W	
198	1650 4222	Resistor - 2.2K $\Omega$ $\pm$ 5%1/10W	
199	1650 4303	Resistor - 30K $\Omega$ $\pm$ 5% 1/10W	
200	1650 4330	Chip Resistor - 33 $\Omega$ $\pm$ 5% 1/10W	
201	1650 4471	Resistor - 470 $\Omega$ $\pm$ 5%1/10W	
202	1650 4472	Resistor - 4.7K $\Omega$ $\pm$ 5% 1/10W	
203	1650 4473	Resistor - 47K $\Omega$ $\pm$ 5%1/10W	
204	1650 4680	Resistor - 68 $\Omega$ $\pm$ 5%1/10W	
205	1654 1001	Resistor - 1K $\Omega$ $\pm$ 1%1/10W	

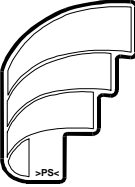
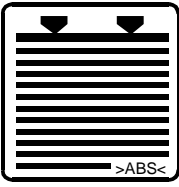


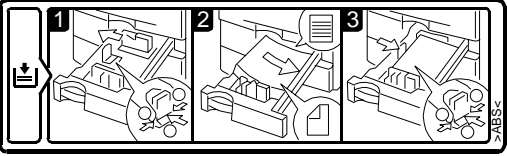
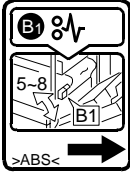
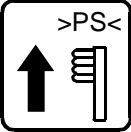
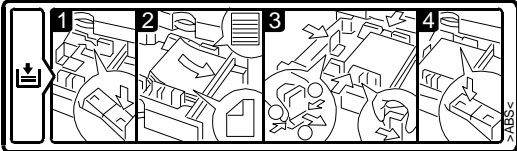
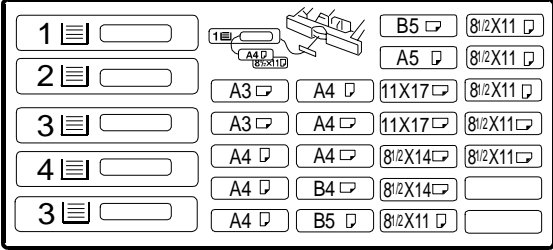

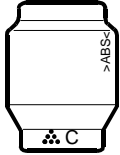
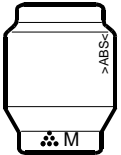
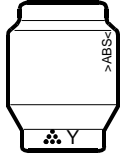
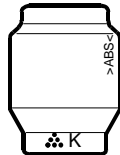






Index No.	Part No.	Description	Q'ty Per Assembly
206	1654 1002	Resistor - 10K $\Omega$ $\pm$ 5%1/10W	
207	1654 1004	Chip Resistor - 1M $\Omega$ $\pm$ 1% 1/10W	
208	1654 1050	Resistor - 105 $\Omega$ $\pm$ 1% 1/10W 1608	
209	1654 1210	Resistor - 121 $\Omega$ $\pm$ 1% 1/10W	
210	1654 1211	RESISTOR:1.21K $\Omega$ : $\pm$ 1%:1/10W:1608	
211	1654 1541	Resistor - 1.54K $\Omega$ $\pm$ 1% 1/10W	
212	1654 1802	Resistor - 18K $\Omega$ $\pm$ 1%1/10W	
213	1654 2492	Resistor:24.9K $\Omega$ : $\pm$ 1%:1/10W:1608	
214	1654 3302	Chip Resistor-33K $\Omega$ $\pm$ 1%-1/10W	
215	1654 3741	Chip Resistor:3.74K $\Omega$	
216	1654 3742	Resistor:37.4K $\Omega$ : $\pm$ 1%:1/10W	
217	1654 3901	Resistor - 3.9K $\Omega$ $\pm$ 1% 1/10W	
218	1654 4700	Resistor - 470 $\Omega$ $\pm$ 1%1/10W	
219	1654 5361	Resistor - 5.36K $\Omega$ $\pm$ 1% 1/10W	
220	1654 5362	Resistor:53.6K $\Omega$ : $\pm$ 1%:1/10W:1608	
221	1654 7329	Resistor:73.2 $\Omega$ : $\pm$ 1%:1/10W:1608	
222	1654 7879	Chip Resistor:78.7 $\Omega$ $\pm$ 1%:1/10W:1608	
223	1654 8201	Resistor - 8.2K $\Omega$ $\pm$ 1% 1/10W	
224	1654 9099	Chip Resistor:90.9 $\Omega$ $\pm$ 1%:1/10W:1608	
225	1654 9539	Resistor:95.3 $\Omega$ : $\pm$ 1%:1/10W:1608	
226	1654 9769	Chip Resistor:97.6 $\Omega$ $\pm$ 1%:1/10W:1608	
227	1660 2101	Capacitor - 100pF - $\pm$ 10% - 50V	
228	1660 2220	Capacitor - 22pF $\pm$ 20% 35V	
229	1660 2331	Capacitor - 330pF $\pm$ 5% 50V	
230	1660 2470	Capacitor - 47pF $\pm$ 5% 50V	
231	1660 2471	Capacitor - 470pF - $\pm$ 5% - 50V	
232	1660 2820	Capacitor - 82pF $\pm$ 5% 50V	
233	1660 4222	Capacitor - 2200pF - $\pm$ 10% - 50V	
234	1660 6103	Capacitor - 10000pF - +80%-20%50V	
235	1660 8104	Capacitor - 0.1uF +80-20% 25V	

Index No.	Part No.	Description	Q'ty Per Assembly



# 41.Decals And Documents (B230/B237)

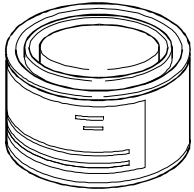
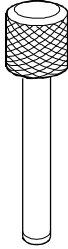

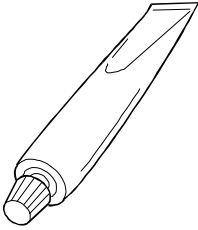
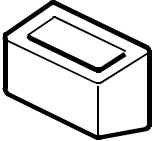
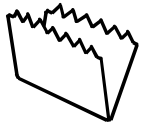
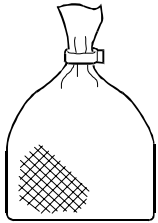
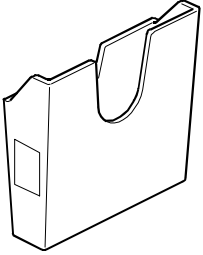
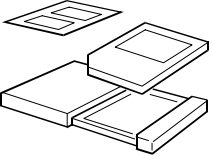
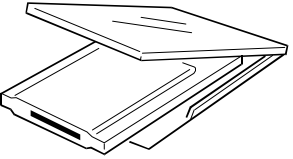
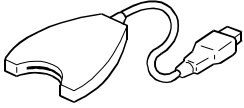
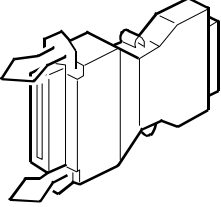
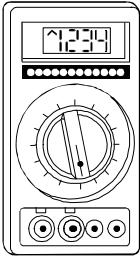
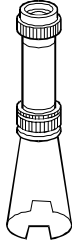
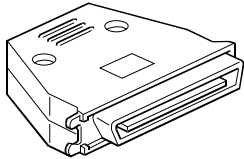


<p>1</p>  <p>&gt;PS&lt;</p>	<p>2</p>  <p>&gt;ABS&lt;</p>	<p>3</p>  <p>&gt;ABS&lt;</p>	<p>4</p>  <p>Prohibited Copying &gt;ABS&lt;</p>																																					
			<p>5</p>  <p>&gt;ABS&lt;</p>	<p>6</p>  <p>&gt;ABS&lt;</p>																																				
<p>7</p>  <p>&gt;PS&lt;</p>	<p>8</p>  <p>&gt;ABS&lt;</p>		<p>9</p>  <table border="1" data-bbox="1272 632 1823 882"> <tr> <td>1</td> <td></td> <td>A4</td> <td>8 1/2 X 11</td> <td>B5</td> <td>8 1/2 X 11</td> </tr> <tr> <td>2</td> <td></td> <td>A3</td> <td>8 1/2 X 11</td> <td>A5</td> <td>8 1/2 X 11</td> </tr> <tr> <td>3</td> <td></td> <td>A3</td> <td>11 X 17</td> <td>A4</td> <td>8 1/2 X 11</td> </tr> <tr> <td>4</td> <td></td> <td>A4</td> <td>8 1/2 X 14</td> <td>A4</td> <td>8 1/2 X 11</td> </tr> <tr> <td></td> <td></td> <td>A4</td> <td>8 1/2 X 14</td> <td>B4</td> <td>8 1/2 X 14</td> </tr> <tr> <td>3</td> <td></td> <td>A4</td> <td>8 1/2 X 11</td> <td>B5</td> <td>8 1/2 X 11</td> </tr> </table>		1		A4	8 1/2 X 11	B5	8 1/2 X 11	2		A3	8 1/2 X 11	A5	8 1/2 X 11	3		A3	11 X 17	A4	8 1/2 X 11	4		A4	8 1/2 X 14	A4	8 1/2 X 11			A4	8 1/2 X 14	B4	8 1/2 X 14	3		A4	8 1/2 X 11	B5	8 1/2 X 11
1		A4	8 1/2 X 11	B5	8 1/2 X 11																																			
2		A3	8 1/2 X 11	A5	8 1/2 X 11																																			
3		A3	11 X 17	A4	8 1/2 X 11																																			
4		A4	8 1/2 X 14	A4	8 1/2 X 11																																			
		A4	8 1/2 X 14	B4	8 1/2 X 14																																			
3		A4	8 1/2 X 11	B5	8 1/2 X 11																																			
<p>10</p> 																																								
<p>11</p>  <p>&gt;ABS&lt;</p> <p>C</p>	 <p>&gt;ABS&lt;</p> <p>M</p>	 <p>&gt;ABS&lt;</p> <p>Y</p>	 <p>&gt;ABS&lt;</p> <p>K</p>																																					
<p>12</p>  <p>&gt;PS&lt;</p> <p>C</p>	 <p>&gt;PS&lt;</p> <p>M</p>	 <p>&gt;PS&lt;</p> <p>Y</p>	 <p>&gt;PS&lt;</p> <p>K</p>																																					

### 41.Decals And Documents (B230/B237)

Index No.	Part No.	Description	Q'ty Per Assembly
1	AA00 0239	Decal:Color:MFP	1
2	B223 2873	Decal - Side Fence Rear	2
3	B237 1355	Decal - Main Switch EU OP	1
4	B237 1595	Decal - Caution Original	1
5	B237 2521	Decal - Paper Set Direction No.1	1
6	B238 1362	Decal - Misfeed Removal B1	1
7	B238 1368	Decal - Cleaning	4
8	B238 2523	Decal - Paper Set Direction No.2	1
9	B238 2524	Decal - Paper Size	1
10	B238 2526	Decal - Grip	1
11	B238 3364	Decal:Colored Display:BK:Inner Cover	1
11	B238 3365	Decal:Colored Display:Y:Inner Cover	1
11	B238 3366	Decal:Colored Display:C:Inner Cover	1
11	B238 3367	Decal:Colored Display:M:Inner Cover	1
12	GA00 3030	Decal - Shielding Plate Y	1
12	GA00 3031	Decal - Shielding Plate M	1
12	GA00 3032	Decal - Shielding Plate C	1
12	GA00 3033	Decal - Shielding Plate K	1

Index No.	Part No.	Description	Q'ty Per Assembly

## 42.Special Tools And Accesoris (B230/B237)

<p>1</p> 	<p>2</p> 	<p>3</p> 	<p>4</p> 	<p>5</p> 
<p>6</p> 	<p>7</p> 	<p>8</p> 	<p>9</p> 	<p>10</p> 
<p>11</p> 	<p>12</p> 	<p>13</p> 	<p>14</p> 	<p>15</p> 
<p>16</p> 				<p>101</p> 

## 42.Special Tools And Accesoris (B230/B237)

Index No.	Part No.	Description	Q'ty Per Assembly
1	5203 9502	Grease 501	1
2	A006 9104	Adjusting Scanner Pin (4PCS/SET)	1
3	A092 9503	C4 Color Test Chart (3 PCS/SET)	1
4	A257 9300	Grease - Barrierta S552R	1
5	B065 1371	Cloth Holder	1
6	B065 1374	Cloth - DF Exposure Glass	1
7	B132 9700	Lubricant Powder	1
8	B223 1248	Operating Instructions Holder	1
9	B645 5010	SD-Card:AssS'y	1
10	B645 6705	SD-Card:Adapter:BN-SDAG2:Ass'y	1
11	B645 6820	SD-Card:USB:Writer:BN-SDCGTY	1
12	B679 5100	Plub - IEEE1284 - Type C	1
13	VSSM 9000	Digital Multimeter-FLUKE187	1
14	C401 9503	20X Magnification Scope	1
15	G021 9350	Loopback Connector - Parallel	1
16	G038 1299	Rivet - 5	1

Index No.	Part No.	Description	Q'ty Per Assembly
101	1607 1859	Ferrite Core:E04SR241336A	

# Parts Index

## Parts Index

Part No.	Description	Page and Index No.
B230 6932	Sheet:Emblem:AT-C1A:RIC	11 - 22
B230 6933	Sheet:Emblem:AT-C1A:SVN	11 - 22
B230 6934	Sheet:Emblem:AT-C1A:GES	11 - 22
B230 6935	Sheet:Emblem:AT-C1A:LAN	11 - 22
B230 6937	Sheet:Emblem:AT-C1A:LAN	11 - 22
B230 6939	Sheet:Emblem:AT-C1A:NSA	11 - 22
B230 6940	Sheet:Emblem:AT-C1A:REX	11 - 22
B230 6941	Sheet:Emblem:AT-C1A:GES	11 - 22
B230 9590	NVRAM - Zero Counter	83 - 19
B230 9640	Developer:BK	47 - 1
B230 9660	Developer:C	47 - 1
B230 9670	Developer:M	47 - 1
B230 9680	Developer:Y	47 - 1

Part No.	Description	Page and Index No.
A006 9104	Adjusting Scanner Pin (4PCS/SET)	129 - 2
A092 9503	C4 Color Test Chart (3 PCS/SET)	129 - 3
A193 1766	Wire Clamp	23 - 3
A193 1767	1st Mirror Holder	23 - 7
A193 1769	Clamp - Rear Wire	23 - 4
A193 1816	1st Slide Rail	21 - 23
A222 2724	External Circlip - Mm8	27 - 14
A222 2724	External Circlip - Mm8	29 - 14
A232 2987	Roller - Paper Tray	29 - 16
A232 2987	Roller - Paper Tray	27 - 16
A232 4666	Cushion - Stepper Motor	71 - 13
A250 1752	Exposure Glass	19 - 6
A257 9300	Grease - Barrierta S552R	129 - 4
A267 2857	Spring Plate - Side Fence	29 - 28
A267 2857	Spring Plate - Side Fence	27 - 28
A267 2859	Side Fence Stopper	29 - 29
A267 2859	Side Fence Stopper	27 - 29
A267 2860	Rear Lever Stopper	29 - 27
A267 2860	Rear Lever Stopper	27 - 27
B004 2783	Torque Limiter	31 - 30
B004 2923	Spring Plate - Release Lever	29 - 20
B004 2923	Spring Plate - Release Lever	27 - 20
B024 1264	Magnet Catch	11 - 11
B039 1073	Right Door Stopper	79 - 9
B039 2631	Front Side Fence	37 - 6
B039 2632	Rear Side Fence	37 - 7
B039 2637	Rack - Front Side Fence	37 - 15
B039 2638	Rack - Rear Side Fence	37 - 13
B065 1371	Cloth Holder	129 - 5
B065 1374	Cloth - DF Exposure Glass	129 - 6
B082 2781	Bracket:Sensor	31 - 4
B101 1097	Rubber Foot:H5	81 - 9
B101 5160	IC:MB87M1480175	109 - 1
B132 9700	Lubricant Powder	129 - 7
B180 1704	Bracket:Tension	21 - 15



Part No.	Description	Page and Index No.
B180 1734	Slide Rail:No.2	21 - 24
B180 1810	Pulley:Drive Were:Front:Sub-ass'y	21 - 21
B180 1812	Pulley:Drive Were:Rear:Sub-ass'y	21 - 19
B180 1816	Carriage Unit No.1	23 - 1
B180 5891	ASIC:TRUMPET3	97 - 1
B188 5350	LSI:MB87M4290	109 - 2
B223 1065	Connector Bracket	65 - 11
B223 1076	Separation Plate - Upper Right	77 - 11
B223 1080	Separation Plate - Upper Middle Rig	77 - 10
B223 1084	Separation Plate - Upper Middle Lef	77 - 9
B223 1087	Separation Plate - Upper Left	77 - 8
B223 1123	Hinge - Cover Drum Stay	15 - 15
B223 1183	Grip Shaft	73 - 17
B223 1186	Drive Joint	73 - 15
B223 1187	Magnetic Clutch Bracket	73 - 3
B223 1188	Stepper Motor DC24V	73 - 1
B223 1189	Feed Drive Shaft	73 - 16
B223 1199	DC Motor 24V	69 - 1
B223 1199	DC Motor 24V	67 - 4
B223 1212	DC Motor Bracket	35 - 13
B223 1213	DC Motor:Shutter:Ass'y	35 - 12
B223 1221	Sensor Link Bracket	35 - 11
B223 1224	Torsion Spring	35 - 9
B223 1225	Shutter Link	35 - 10
B223 1227	Sensor Shutter Bracket	35 - 8
B223 1242	Inner Cover - Left	11 - 7
B223 1244	Inner Cover - Middle	15 - 7
B223 1248	Operating Instructions Holder	129 - 8
B223 1251	Cover - Front	11 - 8
B223 1253	Emblem Cover	11 - 23
B223 1254	Collection Bottlecover - Front	11 - 5
B223 1255	Cover - Main Switch	11 - 4
B223 1263	Cover - Inner Back Middle	13 - 18
B223 1279	Cleaner:Shield Glass:Ass'y	11 - 21
B223 1300	Drum Stay PCU Ass'y	15 - 18

Part No.	Description	Page and Index No.
B223 1303	Drum Stay Lever	15 - 20
B223 1304	Stopper:Lever:Drum Stay	15 - 23
B223 1306	Drum Stay	15 - 16
B223 1315	Ball Bearing Plate	15 - 14
B223 1316	Ball Bearing Clip	15 - 21
B223 1317	Screw	15 - 22
B223 1317	Screw	35 - 21
B223 1318	Spring	15 - 19
B223 1319	Wire	15 - 17
B223 1332	Fan Motor - Mm60 DC24V	75 - 5
B223 1348	Filter:Image Forming MD	11 - 2
B223 1350	Stepper Motor DC5.06V	71 - 14
B223 1475	PCB OP-L	17 - 5
B223 1485	LCD - TFT W-VGA TM	17 - 28
B223 1486	Invertor - TFT	17 - 37
B223 1487	Cable - FFC TFT LCD	17 - 34
B223 1489	LCD - TFT W-VGA SH	17 - 28
B223 1494	Touch Panel - W-vga F	17 - 31
B223 1507	Shadeing Plate:Touch Panel:Ass'y	17 - 32
B223 1518	Keytop - Blank FB	17 - 10
B223 1881	Cover - Upper	25 - 6
B223 1882	Cover - Polygon Motor	25 - 1
B223 1885	Shutter Ass'y	25 - 5
B223 1896	Imaging Unit Plate - Front	77 - 21
B223 1897	Imaging Unit Plate - Rear	77 - 20
B223 1898	Imaging Unit Plate - Inner	77 - 15
B223 1899	Imaging Unit Plate - Outer	77 - 16
B223 1903	Louver	25 - 12
B223 1907	Screw	25 - 4
B223 1908	Link:Shutter:1	25 - 8
B223 1909	Link:Shutter:2	25 - 10
B223 1913	Torsion Spring:Link:1	25 - 9
B223 1914	Torsion Spring:Link:2	25 - 11
B223 1988	Screw:Link:Shutter	25 - 7
B223 1989	Plate Nut:Link	25 - 13

Part No.	Description	Page and Index No.
B223 2204	PCU:BK	47 - 6
B223 2205	PCU:C	47 - 6
B223 2206	PCU:M	47 - 6
B223 2207	PCU:Y	47 - 6
B223 2244	Drum Unit:BK	47 - 4
B223 2245	Drum Unit:M	47 - 4
B223 2246	Drum Unit:C	47 - 4
B223 2247	Drum Unit:Y	47 - 4
B223 2558	Registration Roller Knob	33 - 9
B223 2675	Guide Plate - Vertical Transport	57 - 4
B223 2676	Spring - 11n	57 - 3
B223 2677	Sheet - Transport Sub-unit	57 - 5
B223 2703	Heat Sink:Heater:EU	81 - 3
B223 2705	Supporter - Left No.1	81 - 2
B223 2710	Supporter - Left No.2	81 - 1
B223 2714	Positioning Cap - Short	81 - 6
B223 2715	Supporter - Right	81 - 7
B223 2721	Bracket:Push Switch	69 - 15
B223 2722	Cover	69 - 14
B223 2730	Paper Tray Stopper Ass'y	69 - 13
B223 2761	Pickup Arm	31 - 20
B223 2762	Feed Shaft	31 - 24
B223 2764	Gear-24z	31 - 23
B223 2765	Ground Plate - Feed	31 - 19
B223 2767	Paper End Feeler	31 - 1
B223 2776	Stay	31 - 7
B223 2786	Ground Plate - Front	31 - 11
B223 2810	Separate Driven Shaft	31 - 36
B223 2815	Separate Drive Shaft	31 - 31
B223 2819	Gear - 22Z	31 - 29
B223 2829	Feed Guide	31 - 14
B223 2835	Guide Plate	33 - 19
B223 2840	Guide Plate No.2	33 - 20
B223 2850	Paper Tray Unit No.1	27 - *
B223 2857	Cover - Paper Tray No.1	27 - 7

Part No.	Description	Page and Index No.
B223 2860	Paper Tray Grip	27 - 8
B223 2860	Paper Tray Grip	29 - 8
B223 2861	Grip Holder	29 - 13
B223 2861	Grip Holder	27 - 13
B223 2862	Lever - Release Inner	29 - 10
B223 2862	Lever - Release Inner	27 - 10
B223 2863	Release Shaft	27 - 12
B223 2863	Release Shaft	29 - 12
B223 2864	Lever - Release Outer	29 - 15
B223 2864	Lever - Release Outer	27 - 15
B223 2865	Rise No.1 Shaft	29 - 24
B223 2865	Rise No.1 Shaft	27 - 24
B223 2869	Ground Plate	27 - 32
B223 2870	Side Fence - Front	27 - 18
B223 2873	Decal - Side Fence Rear	127 - 2
B223 2873	Decal - Side Fence Rear	29 - 30
B223 2873	Decal - Side Fence Rear	27 - 30
B223 2880	Side Fence - Rear	27 - 26
B223 2890	Slide Rail - Left	27 - 2
B223 2894	Slide Rail Stopper - Left	27 - 3
B223 2900	Paper Tray Unit No.2	29 - *
B223 2910	Link - Paper Size Sensor	29 - 1
B223 2911	Spacer	29 - 2
B223 2912	End Fence	29 - 17
B223 2912	End Fence	27 - 17
B223 2918	Rise Lever	27 - 25
B223 2918	Rise Lever	29 - 25
B223 2919	Ground Plate - Paper Tray No.2	29 - 6
B223 2920	Front Side Fence	29 - 18
B223 2923	Stopper Lever - Front	27 - 19
B223 2923	Stopper Lever - Front	29 - 19
B223 2930	Rear Side Fence	29 - 26
B223 2934	Plate - Side Fence	27 - 22
B223 2934	Plate - Side Fence	29 - 22
B223 2935	Plate - Side Fence Right	27 - 21

Part No.	Description	Page and Index No.
B223 2935	Plate - Side Fence Right	29 - 21
B223 2936	Gear - 16Z	29 - 23
B223 2936	Gear - 16Z	27 - 23
B223 2940	Tray Bottom Plate	27 - 4
B223 2940	Tray Bottom Plate	29 - 4
B223 2946	Cover - Paper Tray No.2	29 - 7
B223 3013	Development Unit:BK	47 - 2
B223 3023	Development Unit:M	47 - 2
B223 3033	Development Unit:C	47 - 2
B223 3043	Development Unit:Y	47 - 2
B223 3201	Pump Unit - BK	45 - 5
B223 3202	Pump Unit - Y	45 - 8
B223 3203	Pump Unit - C	45 - 7
B223 3204	Pump Unit - M	45 - 6
B223 3205	Nozzle Ass'y	45 - 10
B223 3206	Tube Clamp	45 - 9
B223 3209	Tube Clip	45 - 11
B223 3305	Toner Cartridge Unit	79 - 1
B223 3328	Toner Cartridge Guide	79 - 3
B223 3400	Toner Supply Drive Unit	43 - *
B223 3424	Shaft:Drive:Drive Unit:BKY	43 - 13
B223 3426	Shaft:Drive:Drive Unit:CM	43 - 11
B223 3428	Spring:Drive Unit:Toner Bottle	43 - 6
B223 3441	Timing Belt:Toner Bottle	43 - 10
B223 3455	Magnetic Clutch - 0.25n.m BK	43 - 14
B223 3457	Magnetic Clutch - 0.25n.m YCM	43 - 7
B223 3461	Pulley:Toner Bottle:YC	43 - 9
B223 3462	Pulley:Toner Bottle:CM	43 - 8
B223 3463	Gear:Toner Bottle:Drive	43 - 5
B223 3464	Gear:Magnetic Clutch:Y	43 - 12
B223 3470	Rfid Ground Plate	43 - 2
B223 4431	Exit Guide Plate - Lower	55 - 1
B223 4432	Pressure Shaft	55 - 4
B223 4433	Roller - Dia16	55 - 3
B223 4436	Spring Plate - Exit Roller	55 - 12

Part No.	Description	Page and Index No.
B223 4486	Exit Tray	13 - 5
B223 4487	Exit End Fence	13 - 4
B223 4491	Discharge Brush:Exit	55 - 30
B223 4561	Harness - Second Transfer Unit	41 - 6
B223 5813	Safety Switch Bracket	35 - 19
B223 5814	Bracket - Safety Switch Lever	35 - 18
B223 5848	Bracket:Base:Connector	65 - 23
B223 5849	Cover:Connector:Heater	65 - 22
B223 5876	Density Sensor:Ass'y	35 - 5
B223 6020	Image Transfer Unit	47 - 5
B223 6023	Cleaning Unit	47 - 3
B223 6140	Drawer:Intermediate Transfer:Ass'y	45 - 1
B223 6145	Rail:Left:Intermediate Transfer	79 - 5
B223 6146	Rail:Right:Intermediate Transfer	79 - 4
B223 6198	Cleaning Unit Rail	75 - 13
B223 6281	Transfer Roller Case	41 - 2
B223 6285	Transfer Roller Terminal	41 - 4
B223 6287	Tab	41 - 5
B223 6289	Terminal	41 - 3
B223 6290	Drum Stay - Rear	41 - 35
B223 6306	Release Lever	41 - 10
B223 6308	Transfer Spring	41 - 29
B223 6311	Positioning Guide - Front	33 - 1
B223 6312	Positioning Guide - Rear	33 - 3
B223 6315	Cushion	33 - 2
B223 6317	Ground Wire - Power Pack	41 - 33
B223 6319	Spring Cap	41 - 28
B223 6320	Lever Bracket - Middle	41 - 9
B223 6321	Spring Anchor	41 - 30
B223 6322	Lever Shaft - Front	41 - 11
B223 6323	Lever Shaft - Rear	41 - 32
B223 6395	Density Sensor	35 - 25
B223 6451	Pipe:Front:Ass'y	77 - 7
B223 6463	Gear - 20Z	77 - 6
B223 6464	Bushing - 6x10x6	77 - 5

Part No.	Description	Page and Index No.
B223 6467	Lever Bracket	77 - 12
B223 6471	Transport Screw Bracket	77 - 4
B223 6472	Gear - 21Z	77 - 3
B223 6473	Transport Screw Shaft	77 - 1
B223 6474	Gear - 29Z	77 - 18
B223 6475	Bushing - 5x 10x2.5	77 - 17
B223 6476	Bushing - Dia5	77 - 2
B223 6481	Rear Pipe Ass'y	69 - 7
B223 6496	Collection Bottle Rail	75 - 8
B223 6502	Used Toner Sensor Bracket	75 - 1
B223 6503	Used Toner Sensor Feeler	75 - 3
B223 6507	Set Sensor Bracket	69 - 19
B223 6510	Toner Collection Bottle	47 - 7
B229 1688	Heater:Option:230V:9W	21 - 22
B229 1751	Scale - Inner Back	19 - 5
B231 5781	Controller Board:AT-C1A	83 - 8
B231 5781	Controller Board:AT-C1A	97 - *
B237 1041	Drive Unit	67 - *
B237 1352	Scanner Cover - Left EU	13 - 11
B237 1354	Scanner Cover - Right EU	13 - 15
B237 1355	Decal - Main Switch EU OP	127 - 3
B237 1355	Decal - Main Switch EU OP	11 - 20
B237 1360	Cover - Upper EU	13 - 6
B237 1363	Cover - Inner Back EU	13 - 17
B237 1367	Scanner Cover - Rear EU	13 - 14
B237 1371	Cover - Right Rear EU	11 - 14
B237 1375	Cover - Right Front Lower EU	11 - 13
B237 1378	Cover - Right Front Upper EU	15 - 9
B237 1380	Cover - Right Base EU	11 - 19
B237 1384	Cover - Left EU	11 - 3
B237 1393	Cover - Rear EU	11 - 17
B237 1397	Cover - Front Right EU	15 - 8
B237 1398	Inner Cover - Upper Left EU	15 - 1
B237 1411	Operation Panel NA	17 - *
B237 1412	Operation Panel EU Ass'y	17 - *

Part No.	Description	Page and Index No.
B237 1594	Scanner Cover - Front Lower EU	13 - 8
B237 1595	Decal - Caution Original	13 - 12
B237 1595	Decal - Caution Original	127 - 4
B237 2521	Decal - Paper Set Direction No.1	127 - 5
B237 2521	Decal - Paper Set Direction No.1	27 - 6
B237 2752	Decal - Paper Set Direction	37 - 10
B237 4053	Fusing Unit:NA:Maintenance	49 - *
B237 4054	Fusing Unit:EU:Maintenance	49 - *
B237 4305	Harness:Fusing Unit:EU	53 - 12
B237 4307	Harness:Fusing Unit:TWN	53 - 12
B237 5337	Harness - Dehumidifier	63 - 12
B237 5339	Harness:Dehumidifier:Scanner:Exp	63 - 10
B237 5617	SD-Card:AT-C1:P/S:Exp:Ass'y	83 - 20
B237 5721	Fan Motor - Mm42x10.5 DC5V	83 - 11
B237 5726	Harness - HDD Power Source	83 - 1
B237 6931	Sheet:Emblem:AT-C1B:RIC	11 - 22
B237 6932	Sheet:Emblem:AT-C1B:SVN	11 - 22
B237 6933	Sheet:Emblem:AT-C1B:GES	11 - 22
B237 6934	Sheet:Emblem:AT-C1B:LAN	11 - 22
B237 6936	Sheet:Emblem:AT-C1B:LAN	11 - 22
B237 6938	Sheet:Emblem:AT-C1B:NSA	11 - 22
B237 6939	Sheet:Emblem:At-C1B:REX	11 - 22
B237 6940	Sheet:Emblem:AT-C1B:GES	11 - 22
B238 1054	Guide Plate:Machine Or Copier:Fusin	35 - 28
B238 1056	Bracket:Paper Feed Unit:Peen	81 - 4
B238 1063	Fusing Unit Guide Plate - Rear	73 - 20
B238 1066	Rubber Foot Cover	81 - 10
B238 1066	Rubber Foot Cover	73 - 19
B238 1067	Cover:Connector:Heater:Imaging Unit	81 - 12
B238 1084	Application Rack Bracket	61 - 9
B238 1088	Cover - Connector	65 - 26
B238 1089	Cover - Positioning Pin	65 - 24
B238 1100	Grip Bracket - Right Front	35 - 14
B238 1104	Grip - Right Front	35 - 17
B238 1105	Grip Cover - Right Front	35 - 16

Part No.	Description	Page and Index No.
B238 1106	Grip Shaft - Right Front	35 - 15
B238 1107	Grip Plate - Right Front	35 - 22
B238 1110	Frame:Machine or Copier:Front:Peen	77 - 13
B238 1115	Supporting Plate:Grip:Right Front	77 - 14
B238 1118	Lever - Front Left	35 - 1
B238 1119	Lever - Front Upper	35 - 3
B238 1121	Duct - Drive 1	65 - 4
B238 1122	Duct - Drive 2	65 - 5
B238 1123	Fusing Duct - Left	79 - 2
B238 1126	Fusing Duct - 1	65 - 2
B238 1127	Fusing Duct - 2	65 - 3
B238 1131	Fan Motor Bracket - Front	75 - 9
B238 1132	Fan Motor Bracket - Rear	75 - 6
B238 1136	Duct - Tube 1	61 - 2
B238 1137	Duct - Tube 2	61 - 4
B238 1138	Harness Shadeing Plate	75 - 7
B238 1142	Bracket:Connector:Heater:Imaging Un	69 - 24
B238 1143	Guide:Connector:Heater:Imaging Unit	69 - 22
B238 1170	Development Drive Shaft	67 - 8
B238 1206	Drive Unit Drum Stay	73 - 12
B238 1211	Paper Feed Unit Bracket	73 - 8
B238 1213	Fusing Exit Unit Bracket	71 - 2
B238 1215	Drive Unit	69 - 8
B238 1219	Holder:Magnetic Clutch:Development	67 - 6
B238 1220	Drive Unit Bracket	71 - 15
B238 1222	Support Bracket	79 - 13
B238 1223	Holder	69 - 2
B238 1225	Shaft	69 - 4
B238 1226	Cam	69 - 3
B238 1228	Harness Guide Bracket	73 - 7
B238 1229	Cover - Separation Plate	69 - 23
B238 1234	Cover:Bracket:Fusing Exit Section	71 - 18
B238 1268	Cover - Paper Exit Unit Upper	13 - 3
B238 1269	Cover - Reverse Unit Upper	13 - 2
B238 1352	Scanner Cover - Left DOM	13 - 11

Part No.	Description	Page and Index No.
B238 1354	Scanner Cover - Right DOM	13 - 15
B238 1356	Inner Cover - Upper Right	15 - 11
B238 1360	Cover - Upper	13 - 6
B238 1362	Decal - Misfeed Removal B1	15 - 10
B238 1362	Decal - Misfeed Removal B1	127 - 6
B238 1363	Cover - Inner Back DOM	13 - 17
B238 1365	Sheet - Misfeed Removalt	11 - 10
B238 1367	Scanner Cover - Rear DOM	13 - 14
B238 1368	Decal - Cleaning	15 - 6
B238 1368	Decal - Cleaning	127 - 7
B238 1371	Cover - Right Rear	11 - 14
B238 1373	Cap - Louver Mm80	11 - 15
B238 1375	Cover - Right Front Lower DOM	11 - 13
B238 1378	Cover - Right Front Upper DOM	15 - 9
B238 1380	Cover - Right	11 - 19
B238 1382	Cap - Left	11 - 1
B238 1384	Cover - Left DOM	11 - 3
B238 1385	Cover - Left	77 - 19
B238 1390	Guide Plate	11 - 9
B238 1393	Cover - Rear DOM	11 - 17
B238 1396	Cap - Rear	11 - 16
B238 1397	Cover - Front Right DOM	15 - 8
B238 1398	Inner Cover - Upper Left DOM	15 - 1
B238 1461	PCB LCDC NA	17 - 36
B238 1462	PCB LCDC EU	17 - 36
B238 1470	PCB OP-R	17 - 27
B238 1480	Harness - OP-R 10p	17 - 25
B238 1481	Harness - OP-R 13p	17 - 26
B238 1482	Harness - OP-L 12p	17 - 6
B238 1483	Harness - OP-L 13p	17 - 7
B238 1484	Harness - Invertor	17 - 21
B238 1504	Keytop - Start	17 - 24
B238 1505	Keytop - Clear/Stop	17 - 17
B238 1506	Keytop - Try Print	17 - 23
B238 1508	Keytop - 10key	17 - 16

Part No.	Description	Page and Index No.
B238 1509	Keytop - Interrupt	17 - 18
B238 1511	Keytop - Counter	17 - 13
B238 1515	Keytop - Printer	17 - 2
B238 1516	Keytop - Scanner	17 - 1
B238 1519	Lens - Front	17 - 8
B238 1527	Operation Panel Bracket	17 - 14
B238 1533	Insulator	17 - 33
B238 1534	LCD Spacer A	17 - 30
B238 1535	LCD Spacer B	17 - 29
B238 1547	Spacer - Keytop	17 - 3
B238 1548	Operation Panel Bracket - Right	17 - 4
B238 1549	Keytop - Power Source	17 - 19
B238 1550	Keytop - Login	17 - 20
B238 1552	Keytop - Kantan	17 - 22
B238 1556	Lcdc Bracket	17 - 35
B238 1557	Shadeing Plate - Touch Panel	17 - 32
B238 1571	Keytop - Copy NA	17 - 12
B238 1572	Keytop - Doc NA	17 - 11
B238 1577	Keytop - Copy EU	17 - 12
B238 1578	Keytop - Doc EU	17 - 11
B238 1580	Keytop - Printer EU	17 - 2
B238 1581	Keytop - Scanner EU	17 - 1
B238 1583	Keytop - Clear Modes	17 - 15
B238 1584	Keytop - 10key NA	17 - 16
B238 1585	Panel Bracket - Lower Left	13 - 7
B238 1586	Panel Bracket - Lower Right	13 - 9
B238 1589	Scanner Cover - Front Left	13 - 10
B238 1594	Scanner Cover - Front Lower	13 - 8
B238 1597	Scanner Cover - Front Upper	13 - 13
B238 1688	Carriage Unit No.2	21 - 1
B238 1703	Lens:Holder:Ass'y	23 - 11
B238 1713	Scale - Left (B)	19 - 4
B238 1715	Stepper Motor DC3.9V	21 - 9
B238 1753	Inner Cover - Sensor	23 - 13
B238 1762	Ground Plate - Stepper Motor	21 - 12

Part No.	Description	Page and Index No.
B238 1786	Scanner Drive Shaft	21 - 17
B238 1787	Drive Were	21 - 14
B238 1788	Stepper Motor Bracket	21 - 10
B238 1792	Timing Belt - 157ST1.5-4.0	21 - 13
B238 1793	Bushing Spacer	21 - 25
B238 1795	Exposure Glass	19 - 2
B238 1796	Hall Plug	21 - 26
B238 1801	Scale - Left (A)	19 - 1
B238 1803	Document Feeder Bracket	19 - 15
B238 1806	Idler Pulley	21 - 7
B238 1812	Ground Plate - Carriage	23 - 18
B238 1820	Xenon Lamp - Dia10	23 - 2
B238 1821	Stabilizer	23 - 12
B238 1823	Inner Cover - Scanner	23 - 8
B238 1827	Original Sensor Bracket	23 - 10
B238 1854	Laser Optics Housing Unit	25 - *
B238 2520	Paper Feed Unit	31 - *
B238 2523	Decal - Paper Set Direction No.2	29 - 3
B238 2523	Decal - Paper Set Direction No.2	127 - 8
B238 2524	Decal - Paper Size	127 - 9
B238 2524	Decal - Paper Size	41 - 106
B238 2526	Decal - Grip	127 - 10
B238 2526	Decal - Grip	27 - 9
B238 2527	Decal - Grip	29 - 9
B238 2541	Tray Cover - Right	69 - 5
B238 2543	Cover - Tray Left	69 - 17
B238 2544	Tray Cover - Middle	69 - 12
B238 2569	Transport Roller	31 - 8
B238 2576	Supporting Plate	31 - 6
B238 2612	Registration Guide Plate - Left	33 - 18
B238 2615	Case - Remove Paper Dust	15 - 13
B238 2621	Stay	33 - 14
B238 2622	Cover - Remove Paper Dust	33 - 21
B238 2640	Registration Guide Plate - Right	33 - 17
B238 2652	Registration Roller - Drive	33 - 8

Part No.	Description	Page and Index No.
B238 2655	Gear - 16Z	33 - 10
B238 2656	Gear - 30Z	33 - 12
B238 2657	Gear - 18Z	33 - 7
B238 2661	Registration Roller - Driven	33 - 5
B238 2670	Cleaner Bracket	33 - 13
B238 2675	Registration Roller Bushing	33 - 6
B238 2676	Tension Spring	33 - 4
B238 2710	Manual Feed Unit:Ass'y	37 - *
B238 2711	Gear - 30Z	37 - 2
B238 2712	Cam - Manual Feed	39 - 2
B238 2713	Disc - Manual Feed	39 - 10
B238 2715	Manual Feed Guide Plate - Lower	39 - 8
B238 2718	DC Solenoid Cover	39 - 12
B238 2719	Pin	39 - 25
B238 2720	Manual Feed Guide Ass'y	39 - 23
B238 2722	Supporting Plate	39 - 21
B238 2723	Ground Plate	39 - 22
B238 2724	Manual Feed Cover - Lower	39 - 20
B238 2725	Roller - Tray Bottom Plate	39 - 26
B238 2726	Roller - Manual Feed	39 - 3
B238 2727	Friction Pad	39 - 6
B238 2731	Guide Plate - Upper	39 - 1
B238 2741	Manual Feed Table	37 - 9
B238 2742	Feeler - Paper End Sensor	39 - 16
B238 2743	Holder - Paper End Sensor	39 - 14
B238 2744	Arm:Manual Feed Table	37 - 4
B238 2746	Cover - Manual Feed Table	37 - 17
B238 2747	Extension Tray	37 - 18
B238 2748	Sheet:Damper	37 - 19
B238 2749	Magnet Catch Plate	37 - 16
B238 2751	Decal - Scale	37 - 5
B238 2753	Decal - Side Fence	37 - 8
B238 2761	Guide Plate	57 - 9
B238 3364	Decal:Colored Display:BK:Inner Cover	127 - 11
B238 3364	Decal:Colored Display:BK:Inner Cover	15 - 2

Part No.	Description	Page and Index No.
B238 3365	Decal:Colored Display:Y:Inner Cover	127 - 11
B238 3365	Decal:Colored Display:Y:Inner Cover	15 - 3
B238 3366	Decal:Colored Display:C:Inner Cover	15 - 4
B238 3366	Decal:Colored Display:C:Inner Cover	127 - 11
B238 3367	Decal:Colored Display:M:Inner Cover	15 - 5
B238 3367	Decal:Colored Display:M:Inner Cover	127 - 11
B238 4070	Fusing Belt	51 - 3
B238 4111	Thermistor Bracket	53 - 9
B238 4123	Thermostat Housing	53 - 5
B238 4134	Thermostat Housing	53 - 10
B238 4166	End Ring:Spring:Dia4	49 - 21
B238 4171	Lever:Pressure Release:Front	49 - 26
B238 4175	Lever:Pressure:Front:Peen	49 - 25
B238 4191	Lever:Pressure Release:Rear	49 - 20
B238 4194	Roller:Lever:Pressure	49 - 22
B238 4195	Lever:Pressure:Rear:Peen	49 - 19
B238 4197	Lever:Lock:Pressure	49 - 18
B238 4202	Stay:Fusing:Upper	51 - 2
B238 4211	Stay:Fusing:Right:Peen	49 - 8
B238 4231	Bracket:Heater:Fusing:Front	49 - 28
B238 4232	Bracket:Heater:Fusing:Rear	49 - 13
B238 4241	Bracket:Heater:Pressure:Front	49 - 27
B238 4243	Bracket:Heater:Pressure:Rear	49 - 16
B238 4252	Bracket:Frame:Front	49 - 29
B238 4253	Positioning Plate:Front	49 - 30
B238 4254	Bracket:Frame:Rear:Peen	49 - 14
B238 4257	Positioning Plate:Rear	49 - 15
B238 4271	Fusing Entrance Guide Plate	53 - 13
B238 4281	Guide Plate:Fusing Exit	49 - 6
B238 4285	Sheet:B2:Lever:Face Front	49 - 5
B238 4286	Sheet:B2:Lever:Behind	49 - 31
B238 4291	Stripper Plate:Coat	51 - 10
B238 4311	Electrode Plate:Fusing:Main	53 - 14
B238 4312	Electrode Plate:Fusing:Sub	53 - 15
B238 4313	Electrode Plate:Thermostat	53 - 4

Part No.	Description	Page and Index No.
B238 4314	Electrode Plate:Thermostat:Connecti	53 - 19
B238 4315	Electrode Plate:Fusing:Common	53 - 1
B238 4316	Electrode Plate:Pressure	53 - 16
B238 4318	Electrode Plate:Pressure:Thermostat	53 - 17
B238 4319	Electrode Plate:Pressure:Common	53 - 18
B238 4331	Fusing Cover:Upper	49 - 3
B238 4335	Decal:Warning (High Temperature):FU	49 - 4
B238 4365	Lens Holder	79 - 8
B238 4366	Lens Cover	79 - 6
B238 4367	Sensor Bracket	79 - 10
B238 4436	Spring Plate - Exit Roller Outer	55 - 8
B238 4438	BuFfer:Gate Pawl	55 - 39
B238 4441	Exit Roller	55 - 14
B238 4442	Transport Roller	55 - 19
B238 4443	Exit Guide Plate - Upper	55 - 34
B238 4444	Gear - 28Z	55 - 21
B238 4445	Gear - 45Z	55 - 22
B238 4446	Gear - 28Z	55 - 24
B238 4447	Guide:Exit Roller:Auxiliary	55 - 40
B238 4449	Paper Feed Sensor Feeler	55 - 18
B238 4454	Sensor Bracket	55 - 9
B238 4458	Compression Spring - Driven Roller	55 - 6
B238 4472	Gate Pawl	55 - 31
B238 4473	DC Solenoid Bracket	55 - 35
B238 4475	Spring - Gate Pawl Lever	55 - 33
B238 4476	Gate Pawl Lever	55 - 32
B238 4477	Spring - DC Solenoid Gate Pawl	55 - 37
B238 4479	Lever - DC Solenoid Gate Pawl	55 - 36
B238 4483	Screw	55 - 25
B238 4483	Screw	49 - 24
B238 4610	Cover - Duplex	59 - 29
B238 4628	Supporting Plate:Duplex	59 - 2
B238 4633	Lever - Duplex	57 - 19
B238 4635	Compression Spring - Lever Duplex	57 - 20
B238 4637	Exit Guide Plate	59 - 1

Part No.	Description	Page and Index No.
B238 4643	Duplex Guide Plate - Right Upper	57 - 10
B238 4645	Entrance Sensor	57 - 11
B238 4646	Inner Cover:Duplex:Adhesion	57 - 21
B238 4647	Set Sensor Lever	57 - 12
B238 4649	Decal:Warning (High Temperature):DU	57 - 23
B238 4650	Entrance Sensor Bracket	59 - 18
B238 4653	Exit Sensor Case	59 - 10
B238 4654	Exit Sensor Bracket	59 - 13
B238 4658	Contact Point Bracket	41 - 8
B238 4664	Guide Plate - Left Upper	41 - 15
B238 4669	Duplex Link	81 - 5
B238 4677	Stopper Arm	57 - 16
B238 4679	Stopper Link	57 - 18
B238 4682	Pressure Release Arm - Front	57 - 22
B238 4683	Pressure Release Arm - Rear	57 - 13
B238 4686	Arm Stopper Bracket	57 - 14
B238 4687	Torsion Spring	57 - 17
B238 4688	Torsion Spring	57 - 15
B238 4700	Coupling Arm	59 - 22
B238 4703	Gear Pulley - 25Z/25T	59 - 19
B238 4704	Pulley - 28T	59 - 6
B238 4705	Pulley - 40T	59 - 31
B238 4706	Pulley - 40T	59 - 7
B238 4707	Gear - 16Z	59 - 25
B238 4708	Spacer	59 - 24
B238 4710	Pulley - 40T	59 - 23
B238 4711	Transport Roller - Entrance	59 - 15
B238 4712	Transport Roller - Middle	59 - 14
B238 4713	Transport Roller - Duplex:Exit	59 - 11
B238 4714	Timing Belt - 30S2M206	59 - 20
B238 4715	Timing Belt - 30S2M360	59 - 5
B238 4716	Timing Belt - 30S2M340	59 - 4
B238 4717	Tension Spring:Arm:Coupling	59 - 30
B238 4720	Stepper Motor:Ass'y	71 - 12
B238 4728	Duplex Guide Plate	41 - 22



Part No.	Description	Page and Index No.
B238 4729	Decal - Grip (Z)	41 - 31
B238 4731	Compression Spring	41 - 17
B238 4732	Compression Spring	41 - 16
B238 4733	Entrance Sensor Bracket	41 - 13
B238 4735	Compression Spring	41 - 20
B238 4736	Compression Spring - Earth Hvpp	41 - 36
B238 4737	Guide Plate	41 - 37
B238 4738	Ground Plate	41 - 19
B238 4739	Cover - Entrance Sensor	41 - 12
B238 4740	Cover - Harness	41 - 38
B238 4740	Cover - Harness	41 - 21
B238 4750	Stepper Motor Bracket	71 - 9
B238 4753	Gear - 22Z/45T	71 - 10
B238 4754	Arm Guide Plate	71 - 8
B238 4755	Timing Belt - B40S2M166	71 - 11
B238 4911	Reverse Roller	55 - 29
B238 4912	Reverse Guide Plate - Upper	55 - 28
B238 4915	Gear - 28Z	55 - 23
B238 4922	Reverse Guide Plate - Lower	55 - 27
B238 4930	Reverse Tray	13 - 1
B238 4932	Gear - 18Z/50Z	79 - 12
B238 4985	Overflow Feeler Shaft	55 - 16
B238 4987	Overflow Feeler	55 - 15
B238 5050	PCB RFID	43 - 1
B238 5100	PCB:BICU:AT-C1:Ass'y	61 - 11
B238 5100	PCB:BICU:AT-C1:Ass'y	109 - *
B238 5120	PCB IOB	65 - 7
B238 5120	PCB IOB	119 - *
B238 5135	PCB SIO	19 - 12
B238 5300	Harness - Main	65 - 8
B238 5304	Harness - IOB BICU	61 - 1
B238 5305	Harness - IOB Drum Motor	65 - 6
B238 5306	Harness - TM/P Sensor	35 - 24
B238 5307	Harness - IOB PCU	65 - 20
B238 5308	Harness - IOB Toner Supply	65 - 21

Part No.	Description	Page and Index No.
B238 5309	Harness - Toner Supply	45 - 2
B238 5310	Harness - IOB Image Unit Shutter	35 - 7
B238 5311	Harness - IOB Skew-motor	65 - 14
B238 5313	Harness - Used Toner Sensor	75 - 4
B238 5314	Harness - IOB Paper Feed Unit	65 - 15
B238 5315	Harness - Lift Motor	65 - 16
B238 5317	Harness - IOB Bank	65 - 17
B238 5318	Harness - IOB Duplex Unit	65 - 12
B238 5319	Harness - Fusing	65 - 18
B238 5319	Harness - Fusing	79 - 11
B238 5322	Harness - IOB Power Source	65 - 19
B238 5323	Harness - BICU Power Source	63 - 3
B238 5325	Harness - Paper Volume Sensor	69 - 20
B238 5327	Harness - BICU SIO	19 - 11
B238 5328	Harness - BICU Imaging Unit	61 - 12
B238 5332	Harness - Power Supply Unit	63 - 11
B238 5335	Harness:Power Supply Unit:Finisher	63 - 14
B238 5341	Inlet	63 - 9
B238 5342	Harness:Power Supply Unit:Relay	63 - 13
B238 5344	Sbu Ground Plate	23 - 17
B238 5345	Scanner Interface Cable	61 - 13
B238 5345	Scanner Interface Cable	23 - 15
B238 5348	Scanner Ground Plate - Rear	19 - 17
B238 5361	Harness - Polygon Mirror Motor	25 - 2
B238 5363	Harness - Ldb	25 - 14
B238 5367	Harness - APS	23 - 16
B238 5368	Harness - SBU	23 - 14
B238 5369	Harness - Lamp	19 - 14
B238 5370	Harness - HPS/AKS	19 - 10
B238 5371	Harness - STM	21 - 8
B238 5373	Harness - Operation Panel	61 - 7
B238 5374	Harness - SIO ARDF	19 - 13
B238 5375	Harness - Paper Feed Unit	31 - 3
B238 5376	Harness - Duplex Unit	59 - 16
B238 5377	Harness - Ground Wire	59 - 27

Part No.	Description	Page and Index No.
B238 5378	Harness - Manual Feed Unit	39 - 19
B238 5379	Harness - Manual Feed Table	37 - 11
B238 5382	Harness - High Voltage Line B	63 - 8
B238 5387	Harness - High Voltage Line T TS	45 - 3
B238 5389	Harness - Fusing Exit Sensor	55 - 26
B238 5390	Harness - Exit	55 - 13
B238 5391	Harness - Registration Sensor	33 - 16
B238 5392	Harness - Ground Wire	59 - 3
B238 5393	Harness - Ground Wire	41 - 34
B238 5396	Harness - HDD	83 - 2
B238 5501	IC:STRIX	109 - 3
B238 5503	IC:TRIO2	119 - 1
B238 5508	IC:S29GL032M90TFIR40	109 - 4
B238 5720	ASIC:SHAKER5.5	97 - 2
B238 5781	Controller Board:AT-C1B	83 - 8
B238 5781	Controller Board:AT-C1B	97 - *
B238 5812	Cover - Power Supply Unit	63 - 5
B238 5821	Bracket - Main Switch Handle	75 - 10
B238 5824	Slide Switch Cover	75 - 11
B238 5825	Power Source Switch Link	75 - 12
B238 5827	Main Switch Bracket	65 - 13
B238 5828	Main Switch Sheet	65 - 25
B238 5830	Power Pack Bracket	63 - 2
B238 5831	Harness Clamp	63 - 4
B238 5841	IOB Bracket	65 - 10
B238 5842	Harness Clamp	65 - 9
B238 5851	Base:Rack:Application:Peen	61 - 14
B238 5853	Mother Board Bracket	61 - 5
B238 5854	Cover:Rack:Application:Ass'y	61 - 15
B238 5855	Gasket	61 - 6
B238 5856	Harness Sheet	61 - 8
B238 5859	Hinge Bracket - Upper	61 - 10
B238 5867	Hook:Solenoid:Sensor:TM	35 - 27
B238 5875	DC Solenoid DC24V	35 - 26
B238 5880	Bracket:Control Board	83 - 17

Part No.	Description	Page and Index No.
B238 5882	HDD Bracket	83 - 5
B238 5883	HDD Cover	83 - 3
B238 5884	Control Board Panel	83 - 16
B238 5885	Control Board Panel Grip	83 - 13
B238 5887	Interface Panel	83 - 15
B238 5891	Drawer Bracket	13 - 16
B238 5892	Fan Motor Bracket	83 - 12
B238 5894	Panel:SD-Card	83 - 14
B238 6260	Transfer/separation Unit:At:Ass'y	41 - 1
B390 1759	Shaft:Scale	19 - 3
B482 3817	DC Solenoid:24V:4.0n:Ass'y	55 - 38
B514 5990	HDD:Hitachi:40GB:Path:Rohs	83 - 4
B622 5831	Rail:Right	83 - 9
B622 5832	Rail:Left	83 - 10
B645 5010	SD-Card:AssS'y	129 - 9
B645 6705	SD-Card:Adapter:BN-SDAG2:Ass'y	129 - 10
B645 6820	SD-Card:USB:Writer:BN-SDCGTY	129 - 11
B679 5100	Plug - IEEE1284 - Type C	129 - 12
C401 9503	20X Magnification Scope	129 - 14
C408 1119	Timing Pulley - 24T	59 - 21
G012 3050	Side Fence Gear	37 - 14
G020 1332	Hinge - Front Cover	11 - 12
G020 5626	Push Switch	79 - 15
G021 9350	Loopback Connector - Parallel	129 - 15
G038 1299	Rivet - 5	129 - 16
G052 4696	Right Fusing Lock Lever	35 - 4
G052 4697	Left Fusing Lock Lever	73 - 21
G060 2641	Transport Driven Roller - Middle	41 - 18
G060 2652	Bushing - M4	57 - 2
G065 2767	Lever - Feed	31 - 22
G065 2774	Pressure Lever	31 - 34
G065 2775	Link Lever	31 - 28
G065 2776	Release Lever	31 - 26
G108 5020	PCB:DDR-DIMM:512MB	83 - 18
G404 2810	Spring Plate - 2nd Mirror	21 - 3

Part No.	Description	Page and Index No.
G569 2822	Gear - Z30	59 - 26
G570 1133	Timing Pulley 73	21 - 20
G570 1225	Sensor Shielding Plate	19 - 16
G570 2832	Guide - High Voltage Supply Cord	21 - 6
G570 2833	Pulley Holder	21 - 4
G570 2834	Pulley - High Voltage Supply Cord	21 - 5

Part No.	Description	Page and Index No.
AA00 0239	Decal:Color:μFP	11 - 24
AA00 0239	Decal:Color:μFP	127 - 1
AA02 1030	Magnet Catch	11 - 6
AA04 3317	Timing Belt - 50S3M258	71 - 5
AA04 3318	Timing Belt - 40S3M144	73 - 10
AA04 3583	Timing Belt - S2M460	69 - 11
AA04 3601	Timing Belt - B40S2M118	71 - 17
AA06 0151	Tension Spring	35 - 23
AA06 0691	Tension Spring	31 - 21
AA06 0693	Tension Spring	31 - 35
AA06 0722	Tension Spring	69 - 9
AA06 0900	Spring	27 - 11
AA06 0900	Spring	29 - 11
AA06 0979	Tension Spring:Tension:14720mn	21 - 11
AA06 0980	Tension Spring:Tension:11300mn	21 - 16
AA06 0989	Spring:Fusing Exit:Pressure	49 - 7
AA06 0990	Spring:Pressure:50n	49 - 17
AA06 0993	Tension Spring - Disc Manual Feed	39 - 11
AA06 1003	Tension Spring:Side Fence:Rear	29 - 31
AA06 1003	Tension Spring:Side Fence:Rear	27 - 31
AA06 2259	Spring - Release	31 - 27
AA06 2306	Pressure Spring	41 - 23
AA06 3436	Compression Spring - Manual Feed	39 - 18
AA06 3437	Compression Spring	57 - 8
AA06 3568	Pressure Spring	35 - 20
AA06 3952	Compression Spring:Belt Tensioner	51 - 13
AA06 3953	Compression Spring:Oil Supply Rolle	49 - 12
AA06 6367	Feeler Spring - Paper End Sensor	39 - 17
AA06 6667	Spring:Stripper Plate:Front	51 - 9
AA06 6668	Spring:Stripper Plate:Rear	51 - 11
AA08 0156	Bushing - M4	55 - 5
AA08 0312	Bushing - 5mm	41 - 24
AA08 0313	Driven Roller Bushing	57 - 7
AA08 0313	Driven Roller Bushing	41 - 26
AA08 2058	Bushing - 6x10x9mm	39 - 9

Part No.	Description	Page and Index No.
AA08 2075	Bushing - M6	37 - 1
AA08 2101	Bushing - 6x10x6	33 - 11
AA08 2101	Bushing - 6x10x6	43 - 4
AA08 2101	Bushing - 6x10x6	59 - 9
AA08 2101	Bushing - 6x10x6	55 - 20
AA08 2101	Bushing - 6x10x6	31 - 18
AA08 2104	Bushing - 8x12x7	59 - 8
AA08 2143	Bushing - 6x10x6	31 - 10
AA08 2144	Bushing - 8x12x7	21 - 18
AA08 2145	Bushing - 8x12x7	41 - 27
AA10 0014	Retaining Ring C - Separate	31 - 13
AA14 0868	Shaft - Manual Feed	39 - 5
AA14 3520	Shoulder Screw - M3	49 - 33
AA14 3537	Screw:M3:Black	37 - 3
AA14 3548	Screw:M3x4.2	83 - 7
AA14 3555	Screw - M3X5	79 - 14
AA14 3577	Screw:TP:M4	27 - 33
AA14 3578	Screw:M3	11 - 18
AA14 3792	Screw:Drawer	49 - 23
AA14 3843	Screw:DIA6	27 - 1
AA14 3861	Screw - DIA5	17 - 9
AA14 3870	Stepped Screw	53 - 20
AA16 1125	Rubber Cushion	83 - 6
AA16 1163	Cushion	81 - 8
AA16 1164	Cushion:Stepper Motor	73 - 2
AB01 0156	Gear:Separate:Drive	31 - 32
AB01 0157	Gear:Separate:Driven	31 - 33
AB01 0367	Gear - 23Z	67 - 9
AB01 0368	Gear - 45Z	67 - 10
AB01 1218	Gear - Roller Clutch	31 - 17
AB01 1252	Gear - 20Z	31 - 16
AB01 1258	Gear - 38Z	73 - 9
AB01 1259	Gear - 32Z	73 - 14
AB01 3722	Gear:Hot Roller:Roller Clutch:Z22	51 - 17
AB01 3861	Gear:Idler:Z14	53 - 7

Part No.	Description	Page and Index No.
AB01 3890	Gear:Idler:Z14xz23	51 - 15
AB01 4278	Gear:Idler:Drive	51 - 16
AB01 7699	Gear - 33Z/44Z	73 - 13
AB01 7714	Gear - 120Z/23T	71 - 4
AB01 7715	Gear - 21Z	71 - 7
AB01 7716	Gear - 23Z/91Z	71 - 3
AB03 0551	Pulley:Idler:Fusing	69 - 21
AB03 0744	Timing Pulley - 27Z/40T	71 - 16
AB03 0781	Timing Pulley - 28Z/30T	73 - 11
AB03 0783	Pulley - 34T	69 - 10
AB03 3100	Pulley - 26T	71 - 6
AB04 4006	Magnetic Spring Clutch - 0.98n.m	67 - 7
AC03 0142	1st Mirror	23 - 6
AC03 0162	Mirror No.2	21 - 2
AE01 0054	Hot Roller	51 - 5
AE01 2030	Heat Roller:Dia25:Coat	51 - 14
AE02 0156	Pressure Roller	51 - 4
AE03 0065	Ball Bearing:Dia12xdia21x7	51 - 18
AE03 0066	Ball Bearing:Mm25xmm32x7	51 - 8
AE03 0068	Ball Bearing:Dia17xdia26x5	51 - 19
AE03 1045	Bushing - Belt Tension Roller	51 - 12
AE03 1061	Front Bushing - Oil Supply Roller	49 - 9
AE03 1062	Rear Bushing - Oil Supply Roller	49 - 32
AE03 2030	Bushing - 20x25	51 - 7
AE04 0064	Belt Tension Roller	51 - 6
AE04 0065	Oil Supply Roller	49 - 10
AE04 0066	Cleaning Roller - Oil Supply Roller	49 - 11
AF01 3006	Bottom Plate Pad	27 - 5
AF01 3006	Bottom Plate Pad	29 - 5
AF02 0622	Roller:Driven - Dia16	57 - 6
AF02 0646	Vertical Transport Roller	57 - 1
AF02 2137	Driven Transport Roller	41 - 25
AF03 0090	Paper Feed Roller:Pickup	31 - 12
AF03 1068	Paper Feed Roller - Mm30	39 - 4
AF03 1090	Paper Feed Roller:Feed	31 - 15

Part No.	Description	Page and Index No.
AF03 2090	Paper Feed Roller:Separate	31 - 9
AF04 0566	Tension Roller	55 - 11
AF04 0567	Tension Roller	55 - 7
AF04 0571	Guide Roller	55 - 2
AG07 0514	Magnet Catch	59 - 28
AG07 1012	Magnet Catch:Ass'y	15 - 12
AW01 0107	Paper Feed Sensor	59 - 12
AW01 0107	Paper Feed Sensor	33 - 15
AW01 0118	Paper Feed Sensor	41 - 14
AW01 0122	Paper Feed Sensor	31 - 5
AW01 0127	Paper Feed Sensor	55 - 10
AW01 0133	Original Sensor - 66mm	23 - 5
AW01 0134	Original Sensor - 48mm	23 - 9
AW02 0145	Photointerruptor:Flat	39 - 15
AW02 0145	Photointerruptor:Flat	19 - 8
AW02 0145	Photointerruptor:Flat	59 - 17
AW02 0145	Photointerruptor:Flat	31 - 2
AW02 0145	Photointerruptor:Flat	55 - 17
AW02 0146	Photointerruptor:Flat:Pich2mm:M4	19 - 9
AW02 0160	Paper Feed Sensor	75 - 2
AW02 0185	Toner End Sensor	45 - 4
AW10 0104	Thermistor	53 - 8
AW10 0105	Thermistor:Fusing	51 - 1
AW10 0106	Thermopile	79 - 7
AW11 0055	Thermostat - 146c/147c	53 - 11
AW11 0058	Thermostat:177 ° c	53 - 3
AW11 0059	Thermostat:190 ° c	53 - 2
AW14 0012	Temperature & Humidity Sensor	73 - 18
AW50 0023	Push Switch	69 - 18
AW50 0031	Paper Size Sensor	37 - 12
AW50 0038	Push Switch:Paper Size Sensor	69 - 16
AX04 0154	DC Motor 24V	69 - 6
AX05 0249	Brushless Motor DC24V8W	67 - 1
AX05 0265	Stepper Motor DC24V	43 - 3
AX06 0310	Brushless Motor DC24V24W	67 - 2

Part No.	Description	Page and Index No.
AX06 0311	Brushless Motor DC24V40W	67 - 3
AX06 0318	Polygon Mirror Motor DC24V	25 - 3
AX11 0123	DC Solenoi 24V 9.6W	39 - 13
AX20 0289	Magnetic Clutch - 32z	73 - 4
AX43 0174	Heater - 213V 250W	49 - 2
AX43 0184	Heater:107V:250W	49 - 2
AX44 0255	Heater - 213V 700W/500W	49 - 1
AX44 0265	Heater:107V:700W/500W	49 - 1
AX64 0170	Fan Motor - Mm60 DC24V	61 - 3
AZ24 0105	Power Supply Unit:Athena:EU/AA	63 - 7
AZ24 0114	Power Supply Unit:Athena:DOM/NA	63 - 7
AZ30 0056	Power Pack D	41 - 7
AZ32 0167	Power Pack:CBTTS	63 - 1
GA00 3030	Decal - Shielding Plate Y	127 - 12
GA00 3030	Decal - Shielding Plate Y	15 - 24
GA00 3031	Decal - Shielding Plate M	127 - 12
GA00 3031	Decal - Shielding Plate M	15 - 26
GA00 3032	Decal - Shielding Plate C	127 - 12
GA00 3032	Decal - Shielding Plate C	15 - 25
GA00 3033	Decal - Shielding Plate K	15 - 27
GA00 3033	Decal - Shielding Plate K	127 - 12
GA06 3063	Compression Spring:2n	39 - 7
GA08 0002	Bushing - 6mm	73 - 5
GB01 0007	Gear:Idler:Fusing Unit	53 - 6
GB01 0011	Gear:Idler:Z16	53 - 21
GW02 0020	Photointerruptor:Lg248n1	35 - 6
GX06 0015	Brushless Motor:Drive:Paper Feed	67 - 5
GX06 0015	Brushless Motor:Drive:Paper Feed	71 - 1
GX64 0020	Fan Motor - DC24V	65 - 1
GX64 0027	Fan Motor - DC24V 1.92W	63 - 6
GX64 0029	Fan:Mm40x15:Nidec:L	35 - 2

Part No.	Description	Page and Index No.
VSSM 9000	Digital Multimeter-FLUKE187	129 - 13

Part No.	Description	Page and Index No.
0312 5040N	Screw - M2.5X4	35 - 111
0314 0120N	Screw - M4X12	19 - 105
0353 0040N	Screw - M3X4	55 - 107
0353 0050N	Screw-m3x5	13 - 102
0353 0050N	Screw-m3x5	21 - 101
0353 0060N	Bind Screw - M3x6	83 - 104
0353 0060N	Bind Screw - M3x6	17 - 103
0353 0100N	Screw-m3x10	55 - 103
0353 0250N	Screw:M3x25	35 - 106
0360 3006N	Screw - M3X6	71 - 101
0360 3006N	Screw - M3X6	67 - 101
0360 3006N	Screw - M3X6	49 - 105
0360 3006N	Screw - M3X6	51 - 102
0360 3006N	Screw - M3X6	61 - 102
0360 3006N	Screw - M3X6	53 - 105
0360 3016N	Screw - M3X16	67 - 102
0434 0100N	Tapping Screw - 4x10	73 - 101
0450 3008N	Tapping Screw - M3x8	79 - 104
0450 3008N	Tapping Screw - M3x8	37 - 102
0450 3008N	Tapping Screw - M3x8	83 - 105
0450 3008N	Tapping Screw - M3x8	69 - 105
0450 3008N	Tapping Screw - M3x8	39 - 103
0450 3008N	Tapping Screw - M3x8	41 - 101
0450 3008N	Tapping Screw - M3x8	59 - 101
0450 3008N	Tapping Screw - M3x8	57 - 101
0450 3008N	Tapping Screw - M3x8	31 - 102
0450 3008N	Tapping Screw - M3x8	13 - 104
0450 3010N	Tapping Screw - M3x10	65 - 102
0450 3010N	Tapping Screw - M3x10	17 - 102
0450 3010N	Tapping Screw - M3x10	39 - 102
0450 3010N	Tapping Screw - M3x10	59 - 103
0450 3010N	Tapping Screw - M3x10	35 - 112
0450 3010N	Tapping Screw - M3x10	55 - 102
0450 3010N	Tapping Screw - M3x10	15 - 102
0450 3010N	Tapping Screw - M3x10	11 - 103

Part No.	Description	Page and Index No.
0450 3012N	Tapping Screw:3x12	29 - 103
0450 3012N	Tapping Screw:3x12	43 - 102
0450 3012N	Tapping Screw:3x12	45 - 102
0450 3012N	Tapping Screw:3x12	71 - 102
0450 3012N	Tapping Screw:3x12	27 - 103
0450 3012N	Tapping Screw:3x12	11 - 102
0450 3025N	Tapping Screw:3x25	35 - 109
0450 4008N	Tapping Screw - M4x8	27 - 101
0450 4008N	Tapping Screw - M4x8	29 - 101
0451 3006N	Tapping Screw - 3x6	57 - 102
0451 3006N	Tapping Screw - 3x6	41 - 102
0451 3006N	Tapping Screw - 3x6	33 - 106
0451 3006N	Tapping Screw - 3x6	21 - 102
0451 3006N	Tapping Screw - 3x6	35 - 103
0451 3006N	Tapping Screw - 3x6	19 - 102
0451 3006N	Tapping Screw - 3x6	67 - 105
0451 3006N	Tapping Screw - 3x6	13 - 103
0451 3006N	Tapping Screw - 3x6	75 - 101
0451 3006N	Tapping Screw - 3x6	55 - 106
0451 3006N	Tapping Screw - 3x6	63 - 101
0451 3006N	Tapping Screw - 3x6	81 - 103
0451 3006N	Tapping Screw - 3x6	43 - 101
0451 3006N	Tapping Screw - 3x6	69 - 104
0451 3006N	Tapping Screw - 3x6	61 - 101
0451 3006N	Tapping Screw - 3x6	31 - 101
0451 3006N	Tapping Screw - 3x6	65 - 103
0451 3006N	Tapping Screw - 3x6	59 - 102
0451 3006N	Tapping Screw - 3x6	79 - 102
0451 3006N	Tapping Screw - 3x6	83 - 101
0451 3006N	Tapping Screw - 3x6	73 - 102
0451 3006N	Tapping Screw - 3x6	71 - 103
0451 3006N	Tapping Screw - 3x6	23 - 103
0451 3006N	Tapping Screw - 3x6	77 - 102
0451 3008N	Tapping Screw - M3x8	45 - 101
0451 3008N	Tapping Screw - M3x8	15 - 101

Part No.	Description	Page and Index No.
0451 3008N	Tapping Screw - M3x8	77 - 105
0451 3008N	Tapping Screw - M3x8	21 - 104
0451 3008N	Tapping Screw - M3x8	35 - 110
0451 3008N	Tapping Screw - M3x8	13 - 101
0451 3008N	Tapping Screw - M3x8	25 - 103
0451 3008N	Tapping Screw - M3x8	11 - 101
0451 3008N	Tapping Screw - M3x8	71 - 104
0451 3010N	Tapping Screw:3x10	69 - 109
0451 3012N	Tapping Screw:3x12	15 - 104
0451 3016N	Tapping Screw - 3x16	83 - 103
0451 3016N	Tapping Screw - 3x16	77 - 104
0451 3020N	Tapping Screw:3x20	63 - 107
0451 3025N	Tapping Screw:M3x25	35 - 102
0451 4006N	Tapping Screw - 4x6	35 - 105
0451 4008N	Tapping Screw:4x8	73 - 108
0452 3008N	Tapping Screw - M3x8	25 - 101
0452 3008N	Tapping Screw - M3x8	41 - 105
0452 3010N	Binding Self-tapping Screw:3x10	25 - 102
0453 3006N	Tapping Screw - M3x6	19 - 101
0453 3008N	Binding Self Tapping Screw:3x8	29 - 102
0453 3008N	Binding Self Tapping Screw:3x8	27 - 102
0454 3006Q	Tapping Screw - M3x6	67 - 104
0454 3006Q	Tapping Screw - M3x6	77 - 103
0454 3006Q	Tapping Screw - M3x6	19 - 104
0454 3006Q	Tapping Screw - M3x6	61 - 103
0454 3006Q	Tapping Screw - M3x6	69 - 107
0454 3006Q	Tapping Screw - M3x6	35 - 104
0454 3006Q	Tapping Screw - M3x6	45 - 105
0454 3006Q	Tapping Screw - M3x6	15 - 103
0454 3006Q	Tapping Screw - M3x6	71 - 105
0454 3006Q	Tapping Screw - M3x6	21 - 109
0454 3006Q	Tapping Screw - M3x6	23 - 102
0454 3006Q	Tapping Screw - M3x6	79 - 106
0454 3006Q	Tapping Screw - M3x6	81 - 101
0454 3006Q	Tapping Screw - M3x6	75 - 102

Part No.	Description	Page and Index No.
0454 3006Q	Tapping Screw - M3x6	33 - 103
0454 3006Q	Tapping Screw - M3x6	73 - 109
0454 3006Q	Tapping Screw - M3x6	65 - 101
0454 3008Q	Tapping Screw:3x8	69 - 103
0454 3008Q	Tapping Screw:3x8	79 - 101
0454 3008Q	Tapping Screw:3x8	33 - 107
0633 0120G	Parallel Pin - 3x12	59 - 104
0720 0025E	Retaining Ring - M2.5	55 - 105
0720 0030E	Retaining Ring - M3	75 - 104
0720 0030E	Retaining Ring - M3	49 - 103
0720 0040E	Retaining Ring - M4	51 - 106
0720 0040E	Retaining Ring - M4	67 - 103
0720 0040E	Retaining Ring - M4	59 - 105
0720 0040E	Retaining Ring - M4	71 - 106
0720 0040E	Retaining Ring - M4	55 - 104
0720 0040E	Retaining Ring - M4	43 - 104
0720 0040E	Retaining Ring - M4	73 - 104
0720 0040E	Retaining Ring - M4	79 - 105
0720 0040E	Retaining Ring - M4	31 - 104
0720 0060E	Retaining Ring - M6	57 - 103
0720 0060E	Retaining Ring - M6	41 - 103
0720 0060E	Retaining Ring - M6	59 - 106
0720 0060E	Retaining Ring - M6	67 - 106
0725 0120E	Retaining Ring C - M12	51 - 104
0725 0170E	Retaining Ring C - M17	51 - 105
0727 0080E	Retaining Ring - M8	51 - 103
0733 0408	Bushing:4x8	49 - 104
0801 0149	Philips Pan Head Screw - M4x6	59 - 110
0801 0226	Screw:Unc:#6-32	83 - 102
0801 0231	Hexagonal Head Bolt W/Washer:M3x6	69 - 108
0802 5299	Tapping Screw - M3x8	81 - 102
0802 5299	Tapping Screw - M3x8	23 - 101
0802 5299	Tapping Screw - M3x8	21 - 103
0802 5303	Tapping Screw - M4x10	75 - 103
0802 5304	Tapping Screw - M3x30	69 - 101

Part No.	Description	Page and Index No.
0802 5305	Tapping Screw - M3x6	43 - 103
0804 6123	Hexagonal Bolt:W/Washer:M3x8	49 - 101
0804 6123	Hexagonal Bolt:W/Washer:M3x8	53 - 103
0804 6123	Hexagonal Bolt:W/Washer:M3x8	79 - 103
0805 0088	Retaining Ring - M6	35 - 108
0805 0088	Retaining Ring - M6	59 - 107
0805 0088	Retaining Ring - M6	21 - 105
0805 0088	Retaining Ring - M6	33 - 102
0805 0089	Retaining Ring - M4	69 - 102
0805 0089	Retaining Ring - M4	55 - 101
0805 0089	Retaining Ring - M4	39 - 101
0805 0089	Retaining Ring - M4	37 - 101
0805 0089	Retaining Ring - M4	33 - 101
0805 0089	Retaining Ring - M4	73 - 103
0805 0089	Retaining Ring - M4	77 - 101
0805 0089	Retaining Ring - M4	31 - 103
0805 0097	Ring Separator	81 - 104
0951 4010N	Screw:Polished Round:M4x10	13 - 106
0954 3010N	Screw:Polished Round/spring:M3x10	51 - 101
0954 3010N	Screw:Polished Round/spring:M3x10	53 - 104
0954 4008N	Screw - M4X8	49 - 102
0954 4008N	Screw - M4X8	53 - 102
0954 4012N	Screw:Polished Round/spring:M4x12	53 - 101
1100 1475	Test Pin	109 -101
1100 1475	Test Pin	119 -101
1102 4203	CT Header - 4P	109 -102
1102 4211	CT Header - 12P	109 -103
1102 4464	CT Header(h) - 6P	109 -104
1102 5303	Connector - 4P	97 - 101
1102 6245	Relay Connector - 2P	45 - 104
1102 6259	Connector - 2P	45 - 103
1102 6298	Connector - 5P	109 -105
1102 6343	Connector 12p	109 -106
1102 6365	Connector - 53325-0663	109 -107
1102 6403	Connector - 30P	109 -108



Part No.	Description	Page and Index No.
1102 6594	Connector - 10P	109 -109
1102 6596	Connector	119 -102
1102 7615	Connector - B8B-XH-A	97 - 102
1102 8329	Connector - USB - UBB-4R-D14C	97 - 103
1102 8358	Connector - WR-100P-VF60-1	109 -110
1102 8468	Connector - 55447-041	119 -103
1102 8471	Connector - 55447-071	119 -104
1102 8473	Connector - 55447-0910	119 -105
1102 8477	Connector - 13P	119 -106
1102 8478	Connector - 55447-1410	109 -111
1102 8480	Connector - 55447-1610	119 -107
1102 8480	Connector - 55447-1610	109 -112
1102 8481	Connector - 55447-1760	119 -108
1102 8482	Connector - 55447-1810	119 -109
1102 8483	Connector:55447-1980	119 -110
1102 8484	Connector:55447-2080	119 -111
1102 8486	Connector - 55451-2410	119 -112
1102 8487	Connector - 55451-2610	119 -113
1102 8492	Connector - 55451-3610	119 -114
1102 8534	Connector - QR/P17-14S-B	65 - 107
1102 8546	Connector - 1-353297-7	119 -115
1102 8553	Connector - 3-353308-6	119 -116
1102 8560	Connector - KX14-60K5D1E	109 -113
1102 8623	Connector:292207-2	119 -117
1102 8655	Connector - 9P 353297-9	119 -118
1102 8781	Connector - 1-292207-2	119 -119
1102 8781	Connector - 1-292207-2	109 -114
1102 9115	Connector - 1-292207-4	109 -115
1102 9116	Connector - 353297-5	109 -116
1102 9116	Connector - 353297-5	119 -120
1102 9119	Connector:2-353297-0	119 -121
1102 9120	Connector - 2-292208-2	119 -122
1102 9121	Connector:2-353308-4	119 -123
1102 9124	Connector:3-353308-0	119 -124
1102 9125	Connector 3-292208-2	119 -125

Part No.	Description	Page and Index No.
1102 9336	Connector:FPS009-2300-0	97 - 104
1102 9535	Connector - 200PS-JUK-G-B	97 - 105
1102 9606	Connector - 200RS-JUK-GB	109 -117
1102 9686	Connector - RHM-176P-SDK11-U1L1C	97 - 106
1102 9689	Connector 2-440091-4	97 - 107
1102 9782	Connector:51405-1819	13 - 105
1102 9887	Connector:52588-3090	97 - 108
1102 9890	Connector:5-1605706-2	97 - 109
1102 9928	Connector:29 6406 200 000 856	97 - 110
1103 3158	Connector - FH12-10S-0.5SV(89)	109 -118
1103 3175	Connector - FH12-40S-0.5SV(89)	109 -119
1103 3177	Connector - FH12-45S-0.5SV(89)	109 -120
1103 3179	Connector:FH12-50S-0.5SV(89)	109 -121
1103 3179	Connector:FH12-50S-0.5SV(89)	119 -126
1103 3207	Connector - FH12-36S-0.5SH(89)	109 -122
1103 3519	Connector - KX24-140R-6ST-N1	109 -123
1103 3806	Connector - WR-70P-VF60-N1	109 -124
1104 0764	IC Socket - 8 PIN	109 -125
1105 0032	Clamp	17 - 101
1105 0487	Harness Clamp	63 - 106
1105 0487	Harness Clamp	75 - 105
1105 0487	Harness Clamp	65 - 106
1105 0487	Harness Clamp	21 - 107
1105 0488	Harness Clamp	73 - 106
1105 0489	Harness Clamp - LWS 1316	65 - 105
1105 0508	Harness Clamp - LWS-0711	61 - 104
1105 0511	Harness Clamp - LWS-0306ZC	59 - 109
1105 0511	Harness Clamp - LWS-0306ZC	31 - 105
1105 0511	Harness Clamp - LWS-0306ZC	33 - 105
1105 0511	Harness Clamp - LWS-0306ZC	23 - 104
1105 0511	Harness Clamp - LWS-0306ZC	71 - 108
1105 0511	Harness Clamp - LWS-0306ZC	19 - 103
1105 0516	Clamp	69 - 106
1105 0516	Clamp	21 - 106
1105 0516	Clamp	55 - 108

Part No.	Description	Page and Index No.
1105 0516	Clamp	63 - 105
1105 0516	Clamp	35 - 101
1105 0516	Clamp	73 - 107
1105 0516	Clamp	23 - 105
1105 0516	Clamp	61 - 107
1105 0516	Clamp	71 - 107
1105 0518	Edge Saddle - LES-1010	63 - 104
1105 0518	Edge Saddle - LES-1010	61 - 106
1105 0521	Clamp - LES-1017	63 - 103
1105 0521	Clamp - LES-1017	61 - 105
1105 0534	Clamp	59 - 108
1105 0551	Clamp:Les-0505	41 - 104
1105 0598	Clamp:Lwss-1n	17 - 104
1105 0612	Clamp:Eds-0704I-v0	71 - 109
1105 0612	Clamp:Eds-0704I-v0	73 - 105
1105 0621	Clamp - SB-2712	21 - 108
1105 0622	Clamp - JCC-1R	23 - 106
1105 0643	Clamp - RFC-14V0	33 - 104
1105 0648	Spacer:Kgps-8rfv0	63 - 102
1107 1099	Fuse Sst 5	97 - 111
1107 1107	Fuse - CCP2E100TBK	109 - 126
1107 1174	Fuse:451.125MRL	119 - 127
1204 1543	Dip Switch	97 - 112
1204 2570	Rocker Switch:Sddje13200	63 - 108
1204 2704	Switch - RS1A-AB11	65 - 104
1204 2709	Switch - V-5F930DN	35 - 107
1206 0115	Lithium Cell - CR1632/V1A	97 - 113
1400 0571	Transistor - 2SA1577	119 - 128
1400 0714	Transistor - 2SD1781KR	119 - 129
1400 0730	Transistor - 2SD1782K	97 - 114
1400 0783	Transistor - TD62064AF	119 - 130
1400 0789	Transistor - IMT17	119 - 131
1400 0796	Transistor - UMH10N	119 - 132
1400 0911	Transistor - DTC144TE	109 - 127
1400 0997	Transistor - 2SB1690K	119 - 133

Part No.	Description	Page and Index No.
1400 1164	Transistor:2SC5343μF	119 - 134
1400 1167	Transistor - SRC1210μF	109 - 128
1400 1170	Transistor - SRC1206μF	109 - 129
1400 1171	Transistor:SRC1205μF	119 - 135
1400 1172	Transistor:SRA2205μF	119 - 136
1401 0957	Transistor - DTB123YK	119 - 137
1401 1205	FET:HAT1044M-E	119 - 138
1401 1209	IC - HAT2093R	97 - 115
1401 1228	Fet:SI3433DV-E3	97 - 116
1401 1296	Fet:TPC8115	97 - 117
1401 1320	Fet - TPC8107	97 - 118
1402 1277	Diode - 12V500MW	119 - 139
1402 1336	Diode - 1SS355	97 - 119
1402 1365	Diode-RB751V-40	97 - 120
1402 1511	Zenerdiode - MTZJ13B	119 - 140
1402 1698	Diode - RB	97 - 121
1402 1709	Diode:EC21QS06G	97 - 122
1402 1911	Diode - SDS511	119 - 141
1402 1911	Diode - SDS511	109 - 130
1403 1131	LED:SML-311UT	97 - 123
1403 1265	LED - KPT-1608SGC	109 - 131
1403 1265	LED - KPT-1608SGC	119 - 142
1403 1266	LED - KPT-1608EC	109 - 132
1403 1266	LED - KPT-1608EC	119 - 143
1407 2187	TTLIC:SN74LS07NS	119 - 144
1407 2219	IC - TD62003AP	119 - 145
1407 4919	IC - 74VHCT244 TSSOP	97 - 124
1407 5274	CMOS Logic - 74LVCH162244A TSSOP	97 - 125
1407 5300	CMOS Logic - 74LVC16244A TSSOP	97 - 126
1407 5334	IC - CMOS LOGIC 74LVC244A TSSOP	97 - 127
1407 5334	IC - CMOS LOGIC 74LVC244A TSSOP	109 - 133
1407 5344	IC - SN74LV02APW	109 - 134
1407 5345	IC-SN74IV04APW	97 - 128
1407 5347	IC - SN74LV08APW	109 - 135
1407 5376	IC - SN74LV32APW	97 - 129

Part No.	Description	Page and Index No.
1407 5392	IC:SN74LV541APW	109 -136
1407 5463	IC - SN74LV245APW	109 -137
1407 5469	IC - SN74LV07APW	97 - 130
1407 5476	CMOS Logic - SN74AHC2G125HDCT	109 -138
1407 5520	IC - SN74LVC125APW	97 - 131
1407 5523	ROM - I2C SOP 3V	97 - 132
1407 5604	IC - SN74LVC16245ADGG	97 - 133
1407 5633	IC - SN74LV574APW	109 -139
1407 5713	IC:SN74LV06APW	109 -140
1407 5734	CMOS Logic - SN74ALVC245PW	109 -141
1407 5868	Ethernet Cont LSI - DP83847ALQA56A	97 - 134
1407 5927	CMOS Logic - SN74LVC1G14DCK	109 -142
1407 6077	IC:Stepping:STA7101M	119 -146
1407 6100	IC:SN74LVC1G04DCK	109 -143
1407 6101	IC - SN74LVC2G17DCK	97 - 135
1407 6101	IC - SN74LVC2G17DCK	109 -144
1407 6127	Clock Generator:ICS960008AFLF	97 - 136
1407 6145	IC:SN74LVC373APW	97 - 137
1407 6161	Clock Generator-ICS960009AFLF	97 - 138
1407 6166	IC - ESOC	109 -145
1407 6187	CMOS Logic - SN74LVC1G07DCK	109 -146
1407 6187	CMOS Logic - SN74LVC1G07DCK	97 - 139
1407 6197	IC:M54563P	119 -147
1407 6229	CMOS Logic - SN74LVCZ244APW	109 -147
1407 6232	LVDS - THC63LVD104A	109 -148
1407 6255	CPU- RM7035C-600I-REV1.1	97 - 140
1407 6265	Real Time Clock:R2025S	97 - 141
1407 6314	Motor Control IC:TB6561NG	119 -148
1407 6335	CMOS Logic:SN74LVC1G17DCK	97 - 142
1407 6362	EEPROM:BR24I64-W	61 - 108
1407 6447	Custom IC - GAVD Type-W	109 -149
1407 6450	Motor Control IC:SLA7072MR	119 -149
1407 6466	Field Memory - 3MX12 3.3V	109 -150
1407 6476	Motor Control IC:SLA7070MR	119 -150
1407 6477	Motor Control IC:SLA7071MR	119 -151

Part No.	Description	Page and Index No.
1407 6545	Custom IC - RB5C661	109 -151
1407 6568	Clock Generator - ICS7152M-11LF	109 -152
1407 6585	CMOS Logic:SN74AHCT1G32DCK	97 - 143
1408 1204	IC - TA8083P	119 -152
1408 1233	Regulator - LM1117MP-3.3	119 -153
1408 1550	IC - LM2902PW	119 -154
1408 1653	Opeamp - LMV324IPW	109 -153
1408 1669	Series Regulator:R1170H331B	109 -154
1408 1778	IC:R3112Q101A	97 - 144
1408 1825	IC - R3112Q121A	97 - 145
1408 1826	IC - R3112Q421A	97 - 146
1408 1850	Regulator - R1170h181b	109 -155
1408 1956	IC:LTC3728LXCUH#TRPBF	97 - 147
1408 1960	IC:LP2996LQ/NOPB	97 - 148
1408 1975	IC - TPS62040DGQ	97 - 149
1408 2029	Comparator:LM2901PW	119 -155
1408 2034	IC:TPS62042DGQ	97 - 150
1408 2053	IC:R3112Q291A-FA	97 - 151
1408 2066	IC:TPS54310PWP	97 - 152
1408 2236	Regulator - BH18FB1WG	109 -156
1408 2304	Reset IC - BU4226FVE	109 -157
1408 2305	Reset IC - BU4242FVE	109 -158
1408 2321	Regulator - R1172H121B-FB	109 -159
1408 2376	Swithing Regulator Modele:H8D3243A	109 -160
1503 0784	Oscillator - MA-406 19.6608MHZ	119 -156
1503 0842	Oscillator - 14.31818MHZ	97 - 153
1503 0906	Crystal Oscillator - 28.224Mhz	109 -161
1503 1007	Crystal Oscillator - 25Mhz	97 - 154
1503 1181	Crystal Oscilator:30Mhz	97 - 155
1503 1215	Crystal Oscilator - 17.5Mhz	109 -162
1503 1239	Crystal Oscilator:25Mhz	97 - 156
1601 5393	Registor - 270 $\Omega$ $\pm$ 5% 2W	119 -157
1601 5398	Registor:560 $\Omega$ : $\pm$ 5%:2W	119 -158
1601 5532	Registor - 91 $\Omega$ $\pm$ 5% 2W	119 -159
1601 5616	Registor:6.8 $\Omega$ : $\pm$ 5%:1W	119 -160

Part No.	Description	Page and Index No.
1601 5695	Resistor:68 Ω:±5%:2W	119 -161
1601 7877	Resistor Array 4.7k Ω ±5% 1/32W	97 - 157
1601 7887	Resistor Array - 10K Ω ±5% 1/32W	97 - 158
1601 7887	Resistor Array - 10K Ω ±5% 1/32W	109 -163
1601 7896	Resistor Array - 56 Ω ±5% 1/32W	97 - 159
1601 7896	Resistor Array - 56 Ω ±5% 1/32W	109 -164
1601 7898	Resistor Array	109 -165
1601 7898	Resistor Array	97 - 160
1601 7900	Resistor Array - 0 Ω ±5%	109 -166
1601 7909	Resistor Array - 10 Ω ±5% 1/32W	97 - 161
1601 7913	Resistor 22 Ω ±5% 1/32W	97 - 162
1601 7943	Resistor Array - 68 Ω ±5% 1/32W	109 -167
1601 7959	Resistor	109 -168
1601 7959	Resistor	97 - 163
1601 7960	Resistor Array - 100 Ω ±5% 1/16W	97 - 164
1601 7981	Resistor Array - 100K Ω±5%1/16W	97 - 165
1601 7994	Resistor - 8.2KΩ ±5% 1/16W	97 - 166
1604 2114	Capacitor:47micro-f:50V	109 -169
1604 4630	Capacitor - 100μF ±20% 6.3V	97 - 167
1604 4728	Capacitor - 100μF ±20% 16V	97 - 168
1604 4802	Capacitor - 330μF ±20% 35V	119 -162
1604 4925	Resistor - 100μF ±20% 10V	109 -170
1604 4994	Capacitor - 100μF ±20% 6.3V	97 - 169
1604 5002	Capacitor - 220μF ±20% 6.3V	97 - 170
1604 5102	Capacitor:33μF:±20%:16V	97 - 171
1604 5508	Capacitor - 270μF:±20%:50V	109 -171
1604 5509	Capacitor - 150μF:±20%:20V	109 -172
1605 1034	Ceramic Capacitor:1000pf:±10%:50V	97 - 172
1605 1124	Capacitor - 4.7μF +80 -20% 10V	97 - 173
1605 1137	Capacitor - 470pF ±10% 50V	109 -173
1605 1137	Capacitor - 470pF ±10% 50V	119 -163
1605 1148	Capacitor - 0.1μF +80-20% 50V	119 -164
1605 1148	Capacitor - 0.1μF +80-20% 50V	109 -174
1605 1165	Capacitor:680pf:±5%:50V	97 - 174
1605 1200	Capacitor - 10PF ±0.5pF 50V	109 -175

Part No.	Description	Page and Index No.
1605 1200	Capacitor - 10PF ±0.5pF 50V	97 - 175
1605 1201	Capacitor - 12pF ±5% 50V	109 -176
1605 1201	Capacitor - 12pF ±5% 50V	97 - 176
1605 1202	Capacitor - 15pF ±5% 50V	109 -177
1605 1204	Capacitor - PF50V	97 - 177
1605 1205	Capacitor - 33pF ±5% 50V	97 - 178
1605 1206	Capacitor - 47pF ±5% 50V	97 - 179
1605 1206	Capacitor - 47pF ±5% 50V	109 -178
1605 1206	Capacitor - 47pF ±5% 50V	119 -165
1605 1207	Capacitor - 68pF ±5% 50V	97 - 180
1605 1208	Capacitor:100pf:±5%:50V	97 - 181
1605 1208	Capacitor:100pf:±5%:50V	109 -179
1605 1209	Capacitor - 150pF ±5% 50V	97 - 182
1605 1210	Capacitor:180pf:±5%:50V	97 - 183
1605 1212	Capacitor - 470pF ±10% 50V	97 - 184
1605 1212	Capacitor - 470pF ±10% 50V	109 -180
1605 1214	Capacitor - 1000pF ±10% 50V	97 - 185
1605 1216	Capacitor - 2200PF±10%50V	109 -181
1605 1216	Capacitor - 2200PF±10%50V	97 - 186
1605 1221	Capacitor - 0.1 μF+80-20%16V	109 -182
1605 1221	Capacitor - 0.1 μF+80-20%16V	97 - 187
1605 1240	Capacitor - 0.01μF ±10% 25V	119 -166
1605 1240	Capacitor - 0.01μF ±10% 25V	109 -183
1605 1240	Capacitor - 0.01μF ±10% 25V	97 - 188
1605 1249	Capacitor:0.047μF:±10%:16V	97 - 189
1605 1282	Capacitor:22μF:+80-20%:10V	97 - 190
1605 1283	Capacitor - 680pF ±10% 50V	97 - 191
1605 1284	Capacitor:1500pf:±10%:50V	97 - 192
1605 1285	Capacitor - 3300pF ±10% 50V	109 -184
1605 1285	Capacitor - 3300pF ±10% 50V	97 - 193
1605 1288	Capacitor - 220pF ±5% 50V	109 -185
1605 1288	Capacitor - 220pF ±5% 50V	97 - 194
1605 1289	Capacitor - 0.1μF ±10% 10V	97 - 195
1605 1294	Resistor - 1000pF ±5% 50V	97 - 196
1605 1295	Capacitor:10μF:+80-20%:10V	109 -186

Part No.	Description	Page and Index No.
1605 1295	Capacitor:10μF:+80-20%:10V	97 - 197
1605 1296	Capacitor - 330pF ±10% 50V	97 - 198
1605 1296	Capacitor - 330pF ±10% 50V	109 -187
1605 1299	Resistor - 56pF ±5% 50V	97 - 199
1605 1301	Capacitor-6800pF ±10% 50V	109 -188
1605 1303	Capacitor - 0.01μF +80-20% 50V	119 -167
1605 1303	Capacitor - 0.01μF +80-20% 50V	97 - 200
1605 1305	Capacitor - 1μF +80-20% 6.3V	109 -189
1605 1307	Capacitor - 2.2μF +80-20% 11V	97 - 201
1605 1344	Capacitor - 33pF ±5% 50V	109 -190
1605 1347	Capacitor - 1μF:+80-20%:16V	97 - 202
1605 1353	Capacitor - 0.1μF ±10% 25V	97 - 203
1605 1354	Capacitor:1200pf:±5%:50V	97 - 204
1605 1359	Capacitor - 10μF:±20%:16V	97 - 205
1605 1391	Capacitor - 22μF:±20%:6.3V	97 - 206
1605 1406	Capacitor - 10μF ±10% 6.3V	97 - 207
1605 1416	Capacitor - 1800PF:±5%:50V	97 - 208
1605 1417	Capacitor:47μF:+80-20%:10V	97 - 209
1605 1430	Resistor - 1μF +80-20% 50V	109 -191
1605 1447	Resistor - 470pF ±5% 50V	109 -192
1605 1466	Resistor - 4.7μF +80-20% 10V	97 - 210
1605 1496	Capacitor:10μF:+80-20%:35V	97 - 211
1605 1583	Capacitor - 0.1μF:±10%:16V	109 -193
1605 1620	CAPACITOR:47μF:±20%:4V	109 -194
1606 8042	Resistor Array - CKCA43CH1H470K	119 -168
1607 0978	Inductor - BLM21P300SPB	97 - 212
1607 1051	Filter -FBMJ2125HS420	97 - 213
1607 1061	Filter - BLM11p300SPB	97 - 214
1607 1228	Inductor - SLF7045-4R7M2R0	97 - 215
1607 1267	Inductor - TSL0808-4R7M3R5-PF	119 -169
1607 1351	Filter BLM21PG221SN1B	97 - 216
1607 1362	Coil - ACM3225-800-2P	97 - 217
1607 1424	Filter:MMZ1608B601C	119 -170
1607 1471	Inductor:LB2518B6R8M	97 - 218
1607 1477	Inductor - RLF7030-4R7M3R4	97 - 219

Part No.	Description	Page and Index No.
1607 1482	Filter - MMZ1608S121A	109 -195
1607 1489	Filter - MMZ1608B301C	97 - 220
1607 1556	Inductor:RLF7030-1R5N6R1	97 - 221
1607 1567	Filter:MPZ2012S101A	97 - 222
1607 1629	Coil - DLW21HN900SQ2B	109 -196
1607 1650	Inductor:RLF7030-6R8M2R8	97 - 223
1607 1663	Ferrite Core:RFC-4	61 - 109
1607 1859	Ferrite Core:E04SR241336A	129 -101
1609 0005	Resistor:33 Ω:±5%:1/16W	97 - 224
1609 0005	Resistor:33 Ω:±5%:1/16W	109 -197
1609 0006	Resistor:10k Ω:±5%:1/16W	97 - 225
1609 0006	Resistor:10k Ω:±5%:1/16w	119 -171
1609 0006	Resistor:10k Ω:±5%:1/16W	109 -198
1609 0007	Resistor - 68Ω ±5% 1/16W	119 -172
1609 0007	Resistor - 68Ω ±5% 1/16W	109 -199
1609 0007	Resistor - 68Ω ±5% 1/16W	97 - 226
1609 0008	Resistor:4.7k Ω:±5%:1/16W	97 - 227
1609 0011	Resistor:22Ω:±5%:1/16W	97 - 228
1609 0016	Resistor:56 Ω:±5%:1/16W	97 - 229
1609 0016	Resistor:56 Ω:±5%:1/16W	109 -200
1609 0018	Resistor:2.2k Ω:±5%:1/16W	109 -201
1609 0019	Resistor:0 Ω:1608	97 - 230
1609 0019	Resistor:0 Ω:1608	109 -202
1609 0020	Resistor:10 Ω:±5%:1/16W	97 - 231
1609 0026	Resistor - 47Ω ±5% 1/16W	97 - 232
1609 0027	Resistor - 100KΩ±5% 1/16W	97 - 233
1609 0049	Resistor Array:1K Ω:±5%:1/16W:4NUMBER	119 -173
1609 0061	Resistor Array:4.7K Ω:±5%:1/16W:	119 -174
1609 0062	Resistor Array:10K Ω:±5%:1/16W:4	119 -175
1609 0065	Resistor Array:68 Ω:±5%:1/16W:4N	119 -176
1609 0066	Resistor Array:680 Ω:±5%:1/16W:4NUMBER	119 -177
1609 0071	Resistor Array:150K Ω:±5%:1/16W:4NUMBER	119 -178
1609 0094	Resistor - 180Ω ±5% 1/16W	109 -203
1610 1427	Resistor - 15Ω ±5% 1W	109 -204
1610 1771	Chip Resistor:1Ω:±5%:1W:6332	119 -179

Part No.	Description	Page and Index No.
1610 1775	Resistor - 0.03 Ω ±1% 1W	97 - 234
1610 1804	Resistor:0.006 Ω:±1%:1W	97 - 235
1611 9102	Resistor - 1K Ω 1/2W ±5%	119 -180
1632 0000	Resistor - 0 Ω 1/8W	97 - 236
1633 0000	Resistor - 0 Ω 1/10W	109 -205
1633 0000	Resistor - 0 Ω 1/10W	119 -181
1634 0000	Resistor - 0 Ω 1/16W	109 -206
1634 0000	Resistor - 0 Ω 1/16W	97 - 237
1634 0000	Resistor - 0 Ω 1/16W	119 -182
1640 3101	Capacitor - 100μF ±20% 35V	119 -183
1640 3331	Capacitor - 330μF ±20% 35V	119 -184
1642 3100	Capacitor:10μF:±20%:35V	119 -185
1650 2680	Resistor - 68Ω ±5% 1/4W	119 -186
1650 2910	Resistor - 91Ω ±5% 1/4W	109 -207
1650 3103	Chip Resistor - 10KΩ ±5% 1/8W	119 -187
1650 3562	Resistor:5.6KΩ:±5%:1/8W	119 -188
1650 4100	Resistor - 10Ω ±5% 1/10W	97 - 238
1650 4100	Resistor - 10Ω ±5% 1/10W	119 -189
1650 4101	Resistor - 100Ω±5%1/10W	119 -190
1650 4102	Resistor - 1KΩ ±5% 1/10W	119 -191
1650 4103	Resistor - 10KΩ ±5% 1/10W	119 -192
1650 4104	Resistor - 100KΩ±5%1/10W	119 -193
1650 4123	Resistor - 12KΩ±5%1/10W	119 -194
1650 4151	Resistor - 150Ω ±5%1/10W	119 -195
1650 4152	Resistor - 1.5KΩ ±5% 1/10W	119 -196
1650 4162	Resistor - 1.6KΩ ±5% 1/10W	119 -197
1650 4220	Chip Resistor - 22Ω ±5% 1/10W	97 - 239
1650 4222	Resistor - 2.2KΩ±5%1/10W	119 -198
1650 4303	Resistor - 30K Ω ±5% 1/10W	119 -199
1650 4330	Chip Resistor - 33Ω ±5% 1/10W	97 - 240
1650 4330	Chip Resistor - 33Ω ±5% 1/10W	119 -200
1650 4470	Resistor - 47Ω±5%1/10W	97 - 241
1650 4471	Resistor - 470Ω±5%1/10W	119 -201
1650 4472	Resistor - 4.7KΩ ±5% 1/10W	119 -202
1650 4473	Resistor - 47KΩ±5%1/10W	119 -203

Part No.	Description	Page and Index No.
1650 4560	Chip Resistor - 56Ω ±5% 1/10W	97 - 242
1650 4680	Resistor - 68Ω±5%1/10W	119 -204
1650 5100	Chip Resistor - 10 Ω±5%1/16W	97 - 243
1650 5101	Chip Resistor - 100 Ω±5%1/16W	97 - 244
1650 5101	Chip Resistor - 100 Ω±5%1/16W	109 -208
1650 5102	Chip Resistor - 1kΩ±5%1/16W	97 - 245
1650 5102	Chip Resistor - 1kΩ±5%1/16W	109 -209
1650 5103	Chip Resistor - 10kΩ±5%1/16W	109 -210
1650 5103	Chip Resistor - 10kΩ±5%1/16W	97 - 246
1650 5104	Chip Resistor - 100kΩ±5%1/16W	97 - 247
1650 5104	Chip Resistor - 100kΩ±5%1/16W	109 -211
1650 5105	Chip Resistor - 1mΩ±5%1/16W	97 - 248
1650 5105	Chip Resistor - 1mΩ±5%1/16W	109 -212
1650 5109	Chip Resistor 1Ω ±5% 1/16W	97 - 249
1650 5122	Chip Resistor - 1.2kΩ±5%1/16W	97 - 250
1650 5150	Resistor - 15Ω ±5% 1/16W	97 - 251
1650 5152	Chip Resistor:1.5kΩ:±5%:1/16W	97 - 252
1650 5152	Chip Resistor:1.5kΩ:±5%:1/16W	109 -213
1650 5153	Chip Resistor - 15kΩ ±5% 1/16W	97 - 253
1650 5202	Chip Resistor:2kΩ:±5%:1/16W	97 - 254
1650 5220	Resistor - 22Ω ±5% 1/16W	97 - 255
1650 5221	Chip Resistor - 220Ω±5%1/16W	97 - 256
1650 5221	Chip Resistor - 220Ω±5%1/16W	109 -214
1650 5222	Resistor - 2.2KΩ ±5% 1/16W	97 - 257
1650 5222	Resistor - 2.2KΩ ±5% 1/16W	109 -215
1650 5229	Resistor:2.2 Ω:±5%:1/16w:1005	97 - 258
1650 5244	Resistor:240k Ω:±5%:1/16w:1005	109 -216
1650 5249	Resistor - 2.4Ω ±5% 1/16W	97 - 259
1650 5271	Chip Resistor 270Ω ±5% 1/16W	97 - 260
1650 5272	Chip Resistor:2.7kΩ:±5%:1/16W	97 - 261
1650 5273	Resistor:27kΩ:±5%:1/16W	97 - 262
1650 5330	Chip Resistor - 33Ω±5%1/16W	97 - 263
1650 5330	Chip Resistor - 33Ω±5%1/16W	109 -217
1650 5331	Resistor - 330Ω ±5% 1/16W	109 -218
1650 5332	Resistor - 3.3KΩ ±5% 1/16W	109 -219

Part No.	Description	Page and Index No.
1650 5360	Resistor - 36Ω ±5% 1/16W	97 - 264
1650 5470	Chip Resistor 47Ω ±5% 1/16W	97 - 265
1650 5472	Chip Resistor:4.7kΩ:±5%:1/16W	97 - 266
1650 5472	Chip Resistor:4.7kΩ:±5%:1/16W	109 -220
1650 5510	Chip Resistor - 51Ω±5%1/16W	97 - 267
1650 5512	Chip Resistor 5.1kΩ ±5% 1/16W	97 - 268
1650 5513	Chip Resistor:51kΩ:±5%:1/16W	97 - 269
1650 5514	Chip Resistor:510kΩ:±5%:1/16W	97 - 270
1650 5560	Chip Resistor 56Ω ±5% 1/16W	97 - 271
1650 5560	Chip Resistor 56Ω ±5% 1/16W	109 -221
1650 5562	Chip Resistor:5.6kΩ:±5%:1/16W	97 - 272
1650 5621	Chip Resistor 620Ω ±5% 1/16W	97 - 273
1650 5621	Chip Resistor 620Ω ±5% 1/16W	109 -222
1650 5680	Resistor - 68Ω ±5% 1/16W	97 - 274
1650 5680	Resistor - 68Ω ±5% 1/16W	109 -223
1650 5681	Chip Resistor:680Ω:±5%:1/16W	97 - 275
1650 5750	Chip Resistor:75Ω:±5%:1/16W	97 - 276
1650 5820	Chip Resistor:82Ω:±5%:1/16W	97 - 277
1650 5822	Chip Resistor:8.2kΩ:±5%:1/16W	97 - 278
1650 5823	Chip Resistor:82kΩ:±5%:1/16W	97 - 279
1653 4999	Resistor - 49.9Ω ±1% 1/8W	97 - 280
1653 5499	Resistor - 54.9Ω ±1% 1/8W	97 - 281
1654 1001	Resistor - 1KΩ±1%1/10W	119 -205
1654 1002	Resistor - 10KΩ±5%1/10W	119 -206
1654 1004	Chip Resistor - 1MΩ ±1% 1/10W	119 -207
1654 1050	Resistor - 105Ω ±1% 1/10W 1608	119 -208
1654 1210	Resistor - 121Ω ±1% 1/10W	119 -209
1654 1211	RESISTOR:1.21K Ω:±1%:1/10W:1608	119 -210
1654 1501	Resistor - 1.5K Ω ±1% 1/10W 1608	97 - 282
1654 1541	Resistor - 1.54KΩ ±1% 1/10W	119 -211
1654 1802	Resistor - 18KΩ±1%1/10W	119 -212
1654 2201	Resistor - 2.2K Ω ±1% 1/10W 1608	109 -224
1654 2492	Resistor:24.9K Ω:±1%:1/10W:1608	119 -213
1654 3301	Resistor - 3.3KΩ ±1% 1/10W	109 -225
1654 3302	Chip Resistor-33KΩ±1%-1/10W	119 -214

Part No.	Description	Page and Index No.
1654 3741	Chip Resistor:3.74K Ω	119 -215
1654 3742	Resistor:37.4KΩ:±1%:1/10W	119 -216
1654 3901	Resistor - 3.9KΩ±1% 1/10W	119 -217
1654 4700	Resistor - 470Ω±1%1/10W	119 -218
1654 5361	Resistor - 5.36KΩ±1% 1/10W	119 -219
1654 5362	Resistor:53.6K Ω:±1%:1/10W:1608	119 -220
1654 7329	Resistor:73.2 Ω:±1%:1/10W:1608	119 -221
1654 7879	Chip Resistor:78.7 Ω ±1%:1/10W:1608	119 -222
1654 8201	Resistor - 8.2KΩ ±1% 1/10W	119 -223
1654 9099	Chip Resistor:90.9 Ω ±1%:1/10W:1608	119 -224
1654 9539	Resistor:95.3 Ω:±1%:1/10W:1608	119 -225
1654 9769	Chip Resistor:97.6 Ω ±1%:1/10W:1608	119 -226
1655 0000	Chip Resistor - 0Ω±0%1/16W	109 -226
1655 0000	Chip Resistor - 0Ω±0%1/16W	97 - 283
1655 1000	Chip Resistor:100Ω:±1%:1/16W	97 - 284
1655 1000	Chip Resistor:100Ω:±1%:1/16W	109 -227
1655 1001	Chip Resistor - 1kΩ ±1% 1/16W	97 - 285
1655 1002	Chip Resistor - 10kΩ±1%1/16W	97 - 286
1655 1102	Resistor - 11KΩ ±1% 1/16W	97 - 287
1655 1301	Chip Resistor:1.3kΩ:±1%:1/16W	97 - 288
1655 1602	Resistor:16k Ω:±1%:1/16W	97 - 289
1655 1651	Resistor:1.65k Ω:±1%:1/16W:1005	97 - 290
1655 1800	Chip Resistor:180Ω:±1%:1/16W	97 - 291
1655 1912	Resistor:19.1k Ω:±1%:1/16W	97 - 292
1655 2000	Resistor - 200Ω ±1% 1/16W	109 -228
1655 2002	Chip Resistor - 20kΩ±1%1/16W	97 - 293
1655 2152	Chip Resistor:21.5kΩ:±1%:1/16W	97 - 294
1655 3000	Chip Resistor:300Ω:±1%:1/16W	97 - 295
1655 3402	Resistor:34k Ω:±1%:1/16W	97 - 296
1655 3900	Resistor:390 Ω:±1%:1/16W	97 - 297
1655 4321	Resistor:4.32k Ω:±1%:1/16W	97 - 298
1655 4700	Resistor - 470Ω ±1% 1/16W	109 -229
1655 4701	Chip Resistor - 4.7kΩ±1%1/16W	109 -230
1655 4701	Chip Resistor - 4.7kΩ±1%1/16W	97 - 299
1655 4703	Resistor - 470KΩ ±1% 1/16W	97 - 300

Part No.	Description	Page and Index No.
1655 5109	Resistor - 51Ω ±1% 1/16W	109 -231
1655 6342	Resistor:63.4k Ω:±1%:1/16W	97 - 301
1655 8202	Resistor - 82KΩ ±1% 1/16W	97 - 302
1655 8251	Resistor:8.25k Ω:±1%:1/16W	97 - 303
1655 9761	Resistor:9.76k Ω:±1%:1/16W	97 - 304
1660 2101	Capacitor - 100pF - ±10% - 50V	119 -227
1660 2121	Capacitor - 120pF ±5% 50V	97 - 305
1660 2220	Capacitor - 22pF ±20% 35V	119 -228
1660 2331	Capacitor - 330pF ±5% 50V	119 -229
1660 2470	Capacitor - 47pF ±5% 50V	119 -230
1660 2471	Capacitor - 470pF - ±5% - 50V	119 -231
1660 2820	Capacitor - 82pF ±5% 50V	119 -232
1660 4102	Capacitor - 1000pF ±10% 50V	97 - 306
1660 4103	Capacitor - 10000pF - ±10% - 50V	109 -232
1660 4222	Capacitor - 2200pF - ±10% - 50V	119 -233
1660 4222	Capacitor - 2200pF - ±10% - 50V	109 -233
1660 4472	Capacitor - 4700PF±10% 50V	97 - 307
1660 6103	Capacitor - 10000pF - +80%-20%50V	119 -234
1660 8104	Capacitor - 0.1uF +80-20% 25V	119 -235
1902 0069	SRAM - 4MX16 3.3V G1	109 -234
1906 0076	Flash Memory:MBM29PL12LM12PCN	97 - 308

Part No.	Description	Page and Index No.
5203 9502	Grease 501	129 - 1
5206 2686	Snap Ring	31 - 25
5215 2621	Snap Ring - M6	81 - 11
5215 2713	Bottom Plate Pad	39 - 24
5442 1924	Exposure Glass Cushion	19 - 7
5447 2681	Snap Ring	67 - 11
5447 2681	Snap Ring	73 - 6
5894 2540	Arm Screw	53 - 22



